

# Oracle® Micros® Opera™ Hotel Property Management System Interface Software License

## Description

The LGR-OPERA-PR interface software is a versatile tool enabling integration between multiple Lutron® guestroom control units and the Oracle® Micros® Opera™ hotel property management system. Opera™ and Lutron® work together to achieve advanced sequences of operation and to maximize energy savings for hotel guestrooms. This is accomplished by combining the hotel guest management information from the Opera™ software with the guestroom lighting and shade status and HVAC information from Lutron® software for the guestrooms.

This software is both a router and a protocol translator which allows for a one-to-many network topology for coordination of the guestroom control units and the hotel guest management system. The software interprets and converts the hotel management information from Oracle® Micros® to Lutron® protocols.

## Features

- Interprets guest check-in and check-out information, HVAC data, message light, and privacy and housekeeping for *do-not-disturb* and *make-up-room* functionality.
- Designed to scale with the number of rooms in the hotel (up to 10,000 rooms).
- Allows for an advanced sequence of operations with occupancy, lighting scenes, zones, HVAC control, shading solutions and more with Lutron® guestroom control units.
- Supports multi-room and suite functionality when available through the Oracle® Micros® software.
- One-time configuration by certified Lutron® service engineers is performed through simple administrative web pages that are hosted by the software.

## Supported Protocols

- Compatible with Oracle® Micros® Opera™ FIAS/IFC8.

## Required System Components

- One guestroom control unit (Model number: GCU-HOSP) is required for each guestroom.
- The LGR-OPERA-PR interface software must be installed on an on-site computer. This computer can be provided by the hotel or by Lutron. Please consult Lutron for the proper selection of a physical or virtual platform to host this software, and the physical or virtual data center space required.
- Optional: Oracle® Micros® Guest Services module for full *do-not-disturb* and *make-up-room* features. Contact Oracle® Micros® for support and licensing information.

## Additional Specification Points

- The network that hosts this LGR-OPERA-PR interface and the guestroom control units shall be independent from the hotel guest network and from any publicly accessible networks.
- All communication is done through TCP/IP connection over Ethernet following Oracle® Micros® and Lutron® protocols.
- Communication ports to the Property Management System and to the guestroom control units from the interface software are configurable according to the hotel network IT infrastructure and security policies.



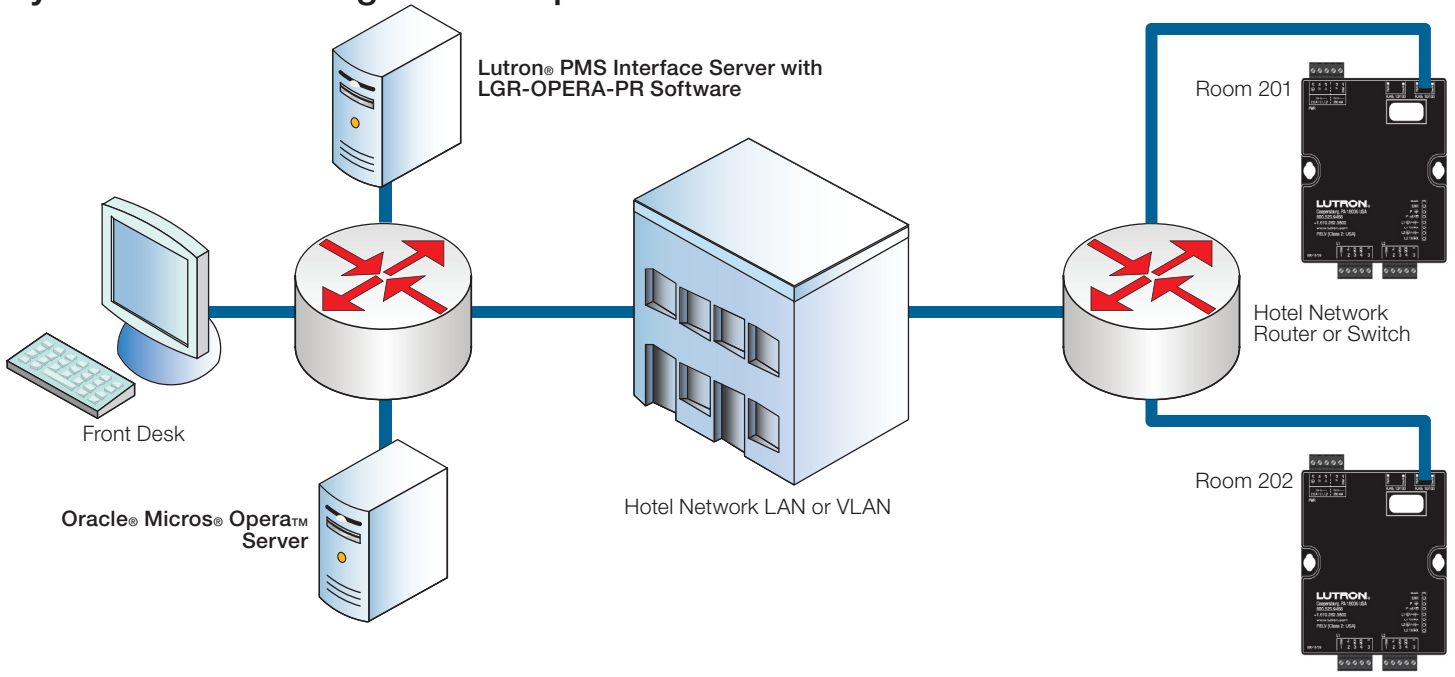
Oracle is a registered trademark of Oracle Corporation.  
The MICROS logo is a registered trademark and Opera is a trademark of MICROS Systems, Inc.

## LUTRON® SPECIFICATION SUBMITTAL

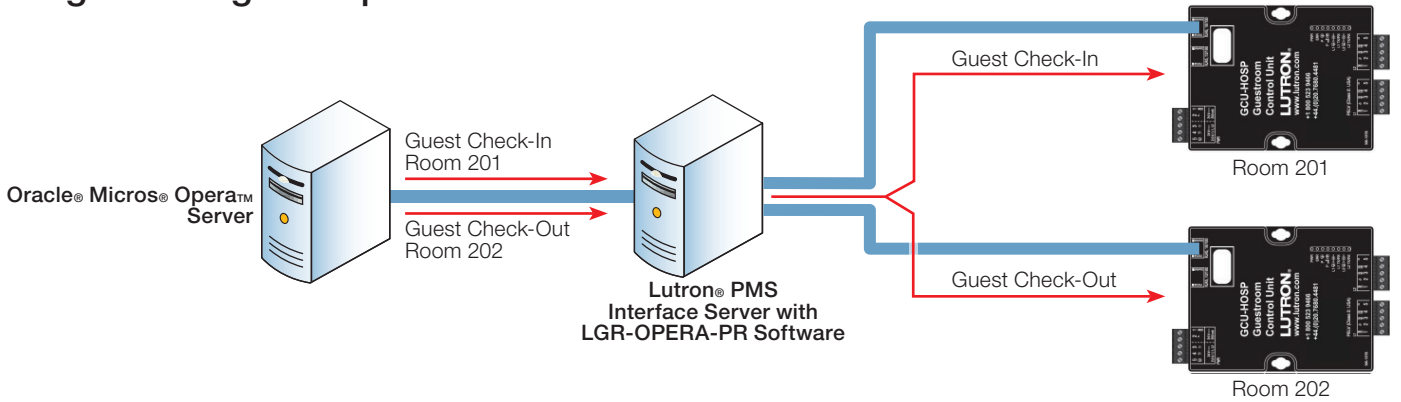
Page

Job Name:	Model Numbers:
Job Number:	

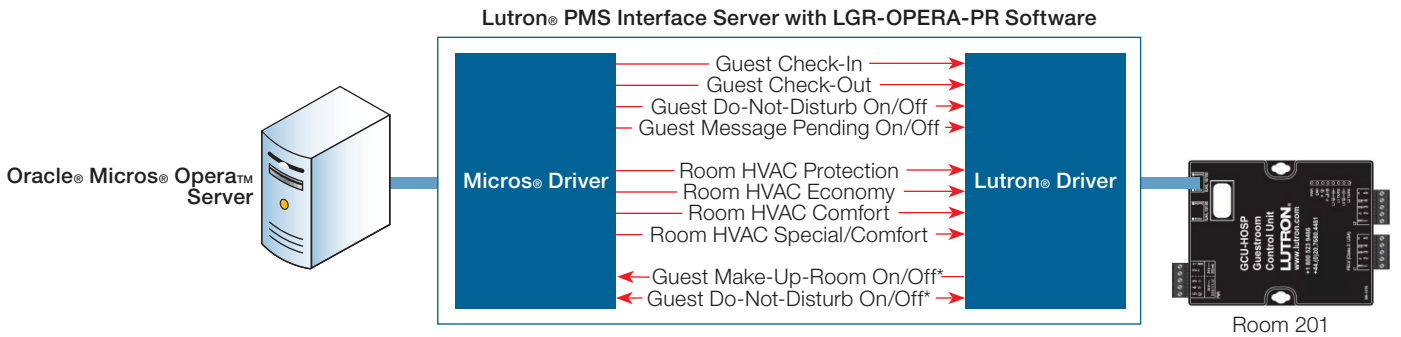
### System Network Diagram Example



### Message Routing Example



### Available Integration Messages



\* Available only with optional Oracle® Micros® guest services module.

Job Name:	Model Numbers:
Job Number:	

## Oracle® Micros® Opera™ Software

Part Number/Product ID (FKT)	Compatible Versions <sup>1</sup>
IO-5007-130/IFC-LHM	Opera™: 5.0.04.01 and above <sup>2</sup>
	Vendor: 01.00.00
	FIAS: 2.20
	IFC8: IFC8.8.1.9 and above

<sup>1</sup> Using TCP/IP connectivity

<sup>2</sup> Backward compatible to Opera™ version 5.03.03

### To contact Lutron for further information:

- Visit: [www.lutron.com/hospitality](http://www.lutron.com/hospitality)
- Call Technical Support:
  - +44.(0)20.7680.4481 (Europe)
  - 1.800.523.9466 (USA, Canada, Caribbean)
  - 800.120.4491 (Asia)

<b>Job Name:</b>	<b>Model Numbers:</b>
<b>Job Number:</b>	