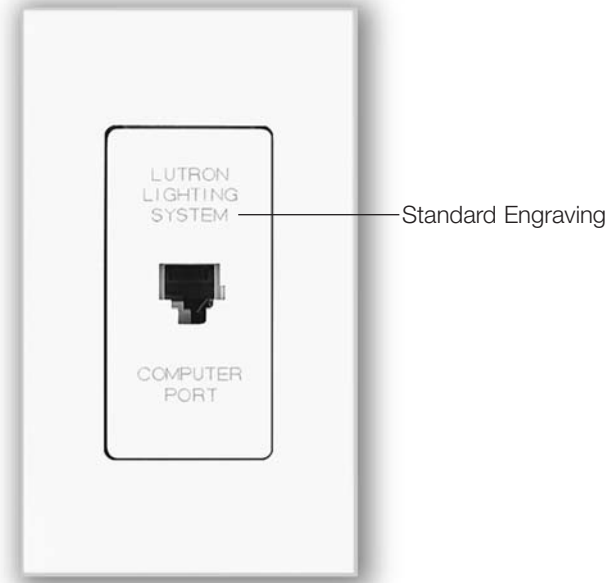


Color and Finish Codes

NTOMX-62J-__ PC Jack



Description

- Connects the EM-NWK-E-D-x Network Interface to GRAFIK 5000/6000/7000 Systems.
- The PC Jack sits on the User Interface Link that connects to the Processor Panel.
- The Network Interface plugs into the jack.
- A GRAFIK 5000/6000/7000 System must have at least one PC Jack. Place a Jack wherever access to the System using a PC or laptop may be required.

Specifications

Power

Low-voltage Class 2 (PELV)
Operating Voltage: 32 V Direct Current.

Key Design Features

- Meets IEC 801-2. Tested to withstand 15 kV electrostatic discharge without damage or memory loss.
- Faceplate snaps on with no visible means of attachment.

System Communications and Capacity

- Low-voltage Class 2 (PELV) User Interface Link connects PC Jack to Processor Panel.
- Unlimited number of Jacks in the System. Only one computer may be plugged in at any time.

Terminals

Accept up to two #18 AWG (1.0 mm²).

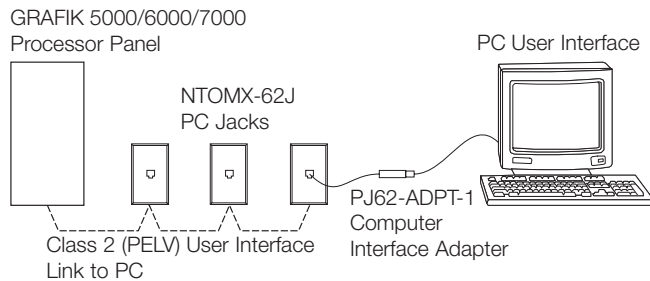
Environment

32-104 °F (0-40 °C). 90% non-condensing relative humidity.

Delivery

Ships in 4 to 6 weeks depending on system delivery.

The PC Jack Connects the Adapter to the GRAFIK 5000/6000/7000 System.



Job Name:	Model Numbers:
Job Number:	

Color and Finish Codes

- Matte Finishes**
 White WH
 Ivory IV
 Beige BE
 Gray GR
 Brown BR
 Black BL

- Metal Finishes**
 Bright Brass BB
 Bright Chrome BC
 Bright Nickel BN
 Satin Brass SB
 Satin Chrome SC
 Satin Nickel SN
 Antique Brass QB
 Antique Bronze QZ

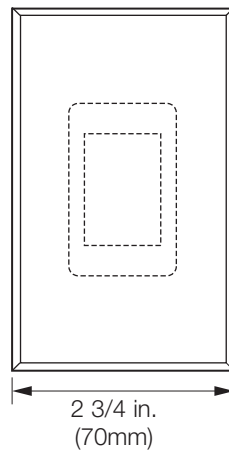
- Anodized Aluminum Finishes**
 Clear CLA
 Black BLA
 Brass BRA

- Also available:
 -Custom Controls
 -Color Matching
 -Engraving

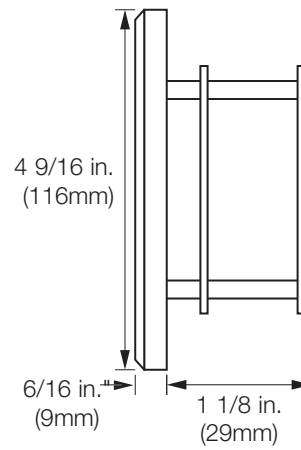
Pricing and lead time may vary depending on finishes.

Dimensions

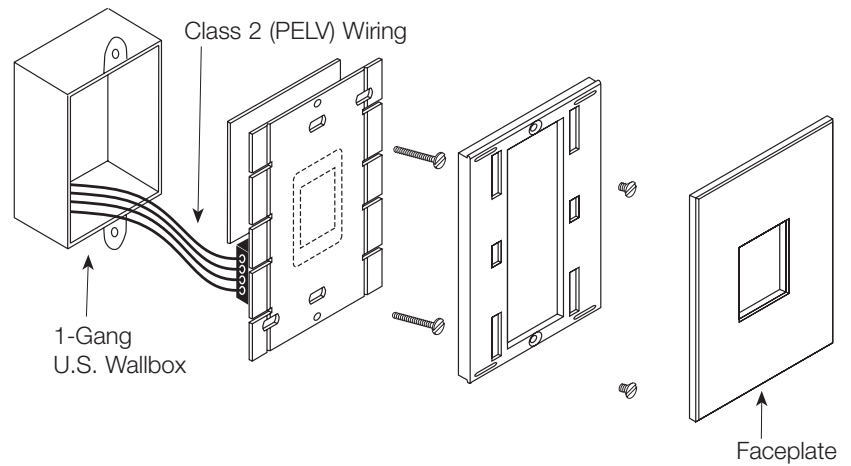
Front View



Side View



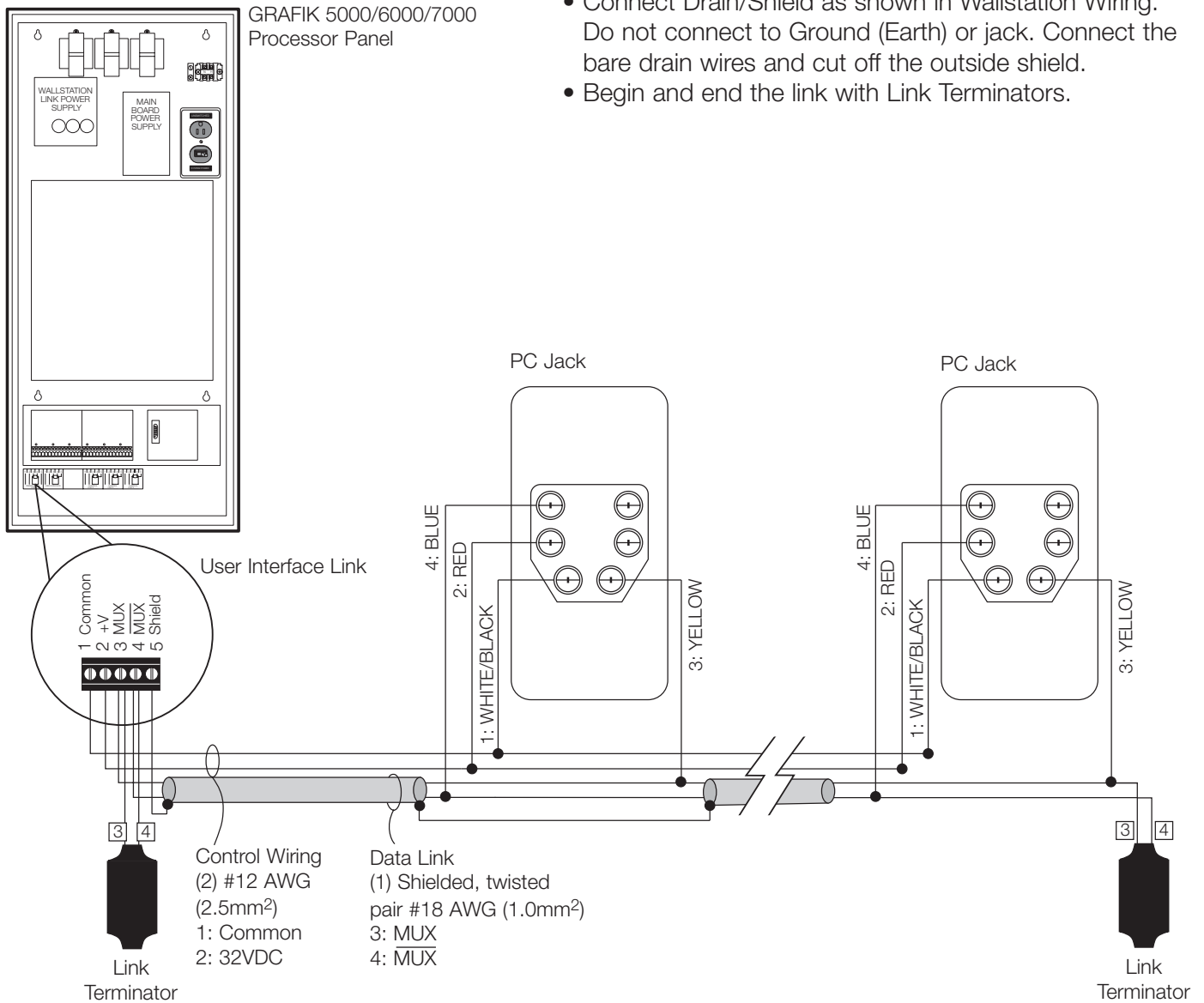
Mounting



Job Name:	Model Numbers:
Job Number:	

Low Voltage Class 2 (PELV) Wiring

- Daisy-chain the PC Jack(s) onto the low-voltage Class 2 (PELV) Wallstation Link.
- Make all connections in the Jack's wallbox or in a switchbox or junction box with a maximum wire length of 8 ft. (2.5 m) from the link to the jack.
- Must be run separately from line (mains) voltage wiring.
- Link may be up to 2000 ft. (600 m) in length. Consult the Processor Panel Specification Submittal for more details.
- Connect Drain/Shield as shown in Wallstation Wiring. Do not connect to Ground (Earth) or jack. Connect the bare drain wires and cut off the outside shield.
- Begin and end the link with Link Terminators.



Job Name:	Model Numbers:
Job Number:	