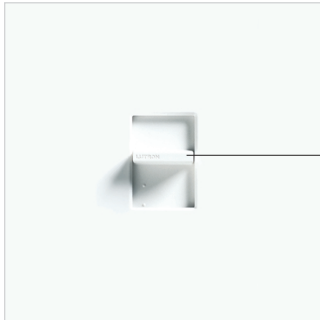




The classic thin-profile linear-slide dimmer.



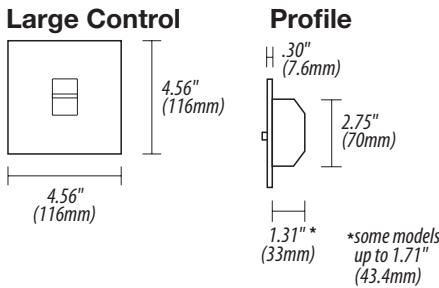
Select light level with slider; slide down to off

Slide-to-off Dimmer

PRODUCT FAMILY FEATURES

- 90% power limit models provide automatic energy saving and extend light bulb life. (see energy savings chart)
- Classic linear-slide dimmer with thin profile design
- Excellent for residential or commercial applications
- Intuitive operation—easy to use
- Enclosed heat sink for aesthetically pleasing appearance
- Multigang alignment for quick and easy installation
- Available for applications up to 1500W / VA

DIMENSIONS



Dim Lights	Electricity Saved	Bulb Life Extended
10%*	10%	2 Times
25%	20%	4 Times
50%	40%	20 Times
75%	60%	>20 Times

* Dimmer at maximum setting

Description	Maximum Capacity ¹	Model #
DIMMERS		

Incandescent
Slide-to-Off Dimmers

	LARGE CONTROL Single pole	1500W	NT-1500-FH-
--	-------------------------------------	-------	-------------

Magnetic Low Voltage
Slide-to-Off Dimmers

	LARGE CONTROL Single pole	1500VA (1200W ²)	NTLV-1500-FH-
--	-------------------------------------	------------------------------	---------------

1 For capacities in multigang installations see derating, page 2.
2 Actual lamp wattage.

ACCESSORIES/MATCHING CONTROLS

For full specifications on matching accessories and Wallbox controls, please refer to a Nova T☆ Specification Submittal P/N 360-392.

www.lutron.com/novat

JOB NAME	AREA CONTROLLED
LOCATION	JOB NUMBER
TITLE	PAGE NO.

SPECIFICATION SERIES STANDARD FEATURES		UL	SP
• Square Law Dimming	• Voltage compensation		
• Power-failure memory	• Superior RFI suppression		
• Captive linear slider	• Accessible air-gap switch		
• Electrostatic discharge tested	• Precise color matching		
• Heavy-duty components for surge protection and long product life			

Lutron controls are rated at 120VAC, 60Hz unless otherwise noted.

STANDARD COLORS/FINISHES



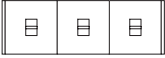
Matte Finishes

Add color/finish suffix to model number to order.

Example: NT-1500-FH-**WH**

WH	White
BE	Beige
IV	Ivory
GR	Gray
BR	Brown
BL	Black
TP	Taupe

DERATING/MAXIMUM CAPACITY

		
No side sections removed (Full Capacity)	One side section removed (End Units)	Two side sections removed (Middle Unit)

Incandescent Dimmer

1500W	1250W	1000W
-------	-------	-------

Magnetic Low Voltage

1500VA (1200W ¹)	1250VA (1000W ¹)	1000VA (800W ¹)
---------------------------------	---------------------------------	--------------------------------

¹ Actual lamp wattage.

SPECIAL ORDER MULTIGANG AND METAL WALLPLATES

Multigang and metal wallplates are available. When ordering product for use with metal wallplates, the product and wallplate must be ordered separately. See the Nova T[☆]/Nova Wallplate Ordering Guide in the Lutron Residential Lighting Controls Catalog (360-975) for ordering procedure. See below for complete list of metal finishes.

Metal Finishes

SB	Satin Brass
BB	Bright Brass
BC	Bright Chrome

Special Metal Finishes

QB	Antique Brass
QZ	Antique Bronze
SC	Satin Chrome
SN	Satin Nickel
BN	Bright Nickel

Anodized Aluminum Finishes

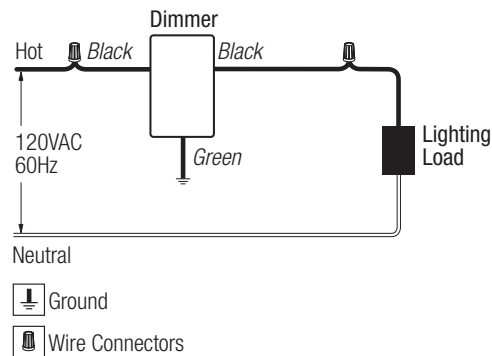
CLA	Clear Anodized Aluminum
BLA	Black Anodized Aluminum
BRA	Brass Anodized Aluminum

WIRING DIAGRAMS

Wiring Diagram 1 Single-Pole Wiring

Model

NT-1500-FH-
NTLV-1500-FH-



NOVA T[☆] CONTROLS AND ACCESSORIES

PART 1 – GENERAL

1.01 SUMMARY

- A. Scope: Provide, install and test all switches, dimmers and related devices as specified herein for the areas indicated on the drawings, specifications, and load schedules.
- B. Related Sections: Section 16580 (Ballasts), Section 16570 (Dimming Systems).

1.02 REFERENCES

- A. UL 20, UL 1472, CSA, NOM, ISO 9001

1.03 SYSTEM DESCRIPTION AND OPERATION

- A. Permanently installed, wallbox mounted switches and dimmers
- B. Permanently installed, wallbox mounted fan-speed controls
- C. Permanently installed, wallbox mounted receptacles
- D. Permanently installed, wallbox mounted data, voice and cable jacks
- E. Screwless, seamless wallplates

1.04 SUBMITTALS

- A. Submit manufacturer's standard catalog data giving all application, wiring, and installation information on basic components and wallplate kits. Provide test data and/or samples as required to demonstrate conformance with PART 2 of this specification.

1.05 QUALITY ASSURANCE

- A. Manufacturer shall have a minimum of 10 years continuous experience in manufacturing wallbox dimming products.
- B. Dimmers, switches and Fan-speed controls shall be UL listed and CSA approved specifically for each required load (i.e., tungsten, and magnetic low voltage transformer). Manufacturer shall provide file card or certificate upon request. Universal load-type dimmers shall not be acceptable.
- C. Manufacturer shall maintain ISO 9001 certification and provide a copy of the certificate upon request.

1.06 WARRANTY

- A. All devices shall be covered by a minimum one-year warranty.

PART 2 – EQUIPMENT

2.01 ACCEPTABLE MANUFACTURERS

- A. Lutron Electronics Co., Inc.
- B. Unless otherwise noted, all basic components (dimmer, fan-speed control, switch, receptacle, telephone jack and cable TV jack) and wallplate kits shall be provided by one manufacturer.

2.02 EQUIPMENT

- A. Dimmer Lutron Nova T[☆] Style
 - 1. Performance
 - a. Dimmers shall provide continuously variable control of light intensity.
 - b. Dimmer shall fit a 1 inch wide, 1.5 inch tall wallplate opening with a vertical linear-slide. Dimmer shall be thin profile with no exposed heatsink/yoke. Unless otherwise specified, controls shall have a matte finish.

- c. Dimmer shall provide a vertical slider allowing the light level to be set by the user. "Slide-to-off" dimmers shall use the vertical slider to turn the dimmer on and off.
- d. Dimmer on/off function must be accomplished utilizing a mechanical air-gap switch to totally disconnect power from the load during "off" condition, no leakage current shall be present at the fixture(s).
- e. Slider shall be captured behind wallplate.
- f. Dimmer shall be able to have their visible plastic parts replaced, for color changes in the field, without removing the body of the control from the wall and without requiring special tools.
- g. Within rated capacity, dimmers shall be available for direct control of incandescent and magnetic low voltage.
- h. Dimmer shall be capable of operating at the rated capacity; this includes modified capacities for ganging configurations which require the removal of fins. Operation at rated capacity shall be possible across the full ambient temperature range, without shortening design lifetime.
- i. To ensure a precise color match between all plastic parts, color variation of any matte finish control shall not exceed a delta E of 1, CIE L*a*b* color units, as defined in ASTM E 308-99.
- j. Dimmer shall provide smooth and continuous Square Law dimming curve, for the full slider travel, on their rated load per The IESNA Lighting Handbook, 9th edition, p. 27-4.
- k. Dimmer shall meet the applicable requirements of UL 20 and UL 1472 referring to the inclusion of a visible, accessible air-gap off switch and the limited short circuit test.
- l. Controls shall meet ANSI/IEEE Std. C62.41-1980, tested to withstand voltage surges of up to 6000V and current surges of up to 200A without damage.
- m. Dimmers shall be designed to reduce interference with radio, audio, and video equipment.
- n. Dimmer shall incorporate power-failure memory. Should power be interrupted and subsequently returned, the lights or fans will come back on to the same levels set prior to the power interruption. Restoration to some other default level is not acceptable.
- o. Dimmer shall not be susceptible to damage or loss of memory due to static discharge.
- p. Dimmer shall include voltage compensation to compensate light output for variation in the AC line-voltage. Dimmers in which the light output is not held constant with varying AC line-voltage shall not be acceptable.
- q. Dimmer shall operate in an ambient temperature range of 0°C (32°F) to 40°C (104°F).
- r. Contractors shall install all backboxes with a minimum wallbox depth of 2.5 inches.

2. Incandescent Dimmers
 - a. Provide incandescent dimmer for direct control of up to 1500 Watts.
 - b. Dimmer shall have a high-end of no less than 87% and no greater than 92% of power.
3. Magnetic Low Voltage (MLV) Transformer Dimmers
 - a. Provide MLV dimmers for direct control of up to 1500VA of magnetic low voltage load.
 - b. Dimmer shall contain circuitry specifically designed to control and provide a symmetrical AC waveform to the input of magnetic low voltage transformers per UL1472 section 5.11.
 - c. Dimmer shall not cause a magnetic low voltage transformer to operate above the transformers rated operating current or temperature.
 - d. Dimmer shall have a high-end of no less than 87% and no greater than 92% of power.

2.03 SOURCE QUALITY CONTROL

- A. All dimming controls shall be 100% function tested at the time of manufacture. Statistical sampling plan shall not be acceptable.

PART 3 – EXECUTION

3.01 INSTALLATION

- A. Contractor shall furnish all devices (dimmers, accessories, & wallplate kits), labor and other services necessary for the proper installation of the devices as indicated on the drawings and specified herein.
- B. Contractor shall be responsible for derating dimmer capacity if side sections are removed.
- C. Contractor shall run separate neutral wires in 120/208 VAC installations.
- D. Devices shall be installed utilizing manufacturer's recommended application, wiring and installation instructions.
- E. Contractor to provide seamless wallplate covers per specification 2.02 for all devices ganged in a common box. Contractor shall provide barriers within the box where required by code.

3.02 FIELD QUALITY CONTROL

- A. Twenty-four hours a day, seven days a week, global customer service and technical hotline available.
- B. Supplemental information shall be provided by manufacturers Internet site.