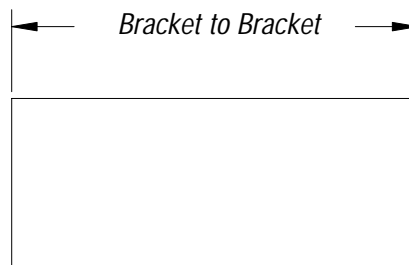
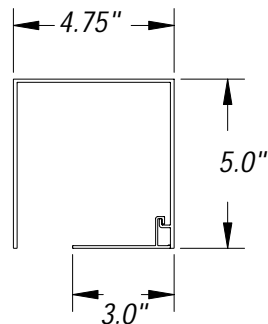
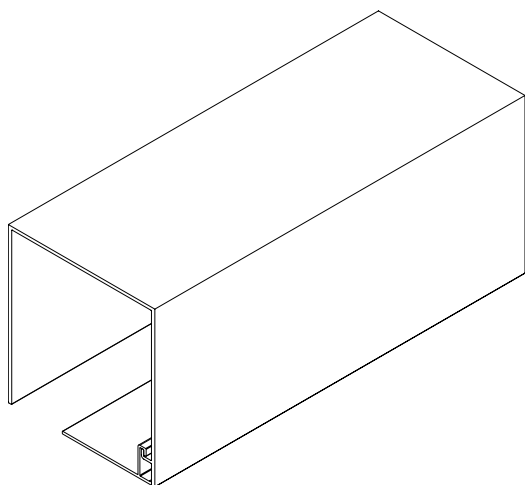


System Lineals

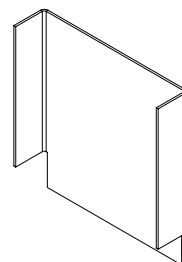
System Lineals – Pockets

**SINGLE MOTOR, EXTRUDED ALUMINUM
4.75" X 5.00" POCKET**



NOTES:

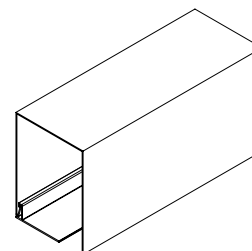
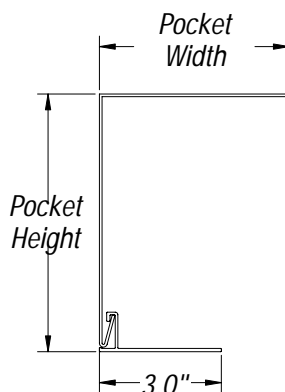
1. Material:
 pocket: .062 extruded aluminum
 flap: .062 extruded aluminum
2. Available in white, custom colors available
3. Maximum length 150"



Pocket End Cap

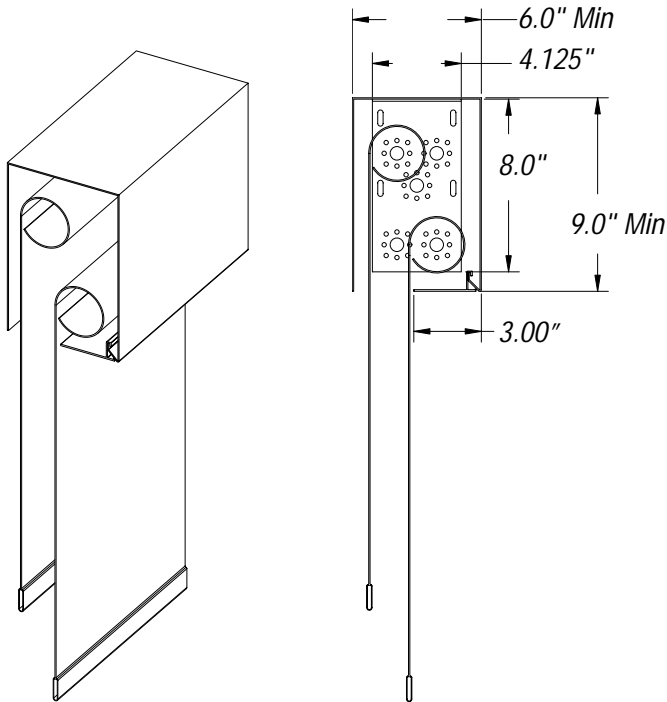
LARGE SHADE POCKETS

Lutron Shading Solutions by VIMCO can custom-engineer pockets for larger applications. Please contact your sales representative or customer service at 1.800.446.1503.



System Lineals – Pockets

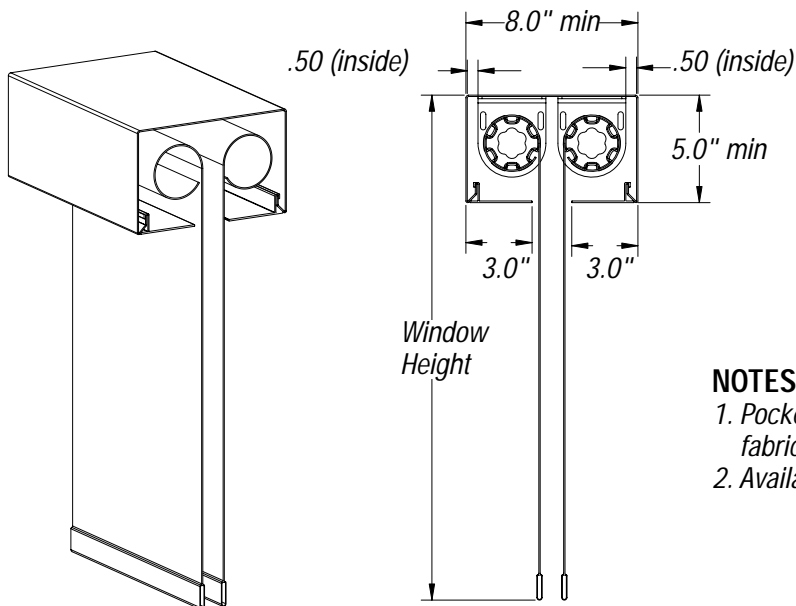
MOTORIZED CEILING DUAL-MOUNT-VERTICAL



NOTES:

1. Actual pocket size is dependent upon window height and fabric type
2. Maximum fabric roll diameter is 4.25" per shade.
3. Mounting bracket requires blocking or structural support (provided by others).
4. Available in white, custom colors available.

MOTORIZED CEILING DUAL-MOUNT-PARALLEL BENT CUSTOM 8.00" X 5.00"

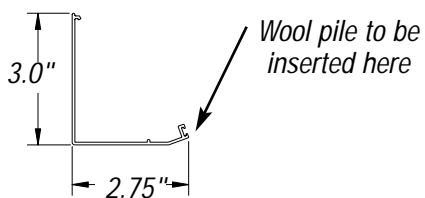
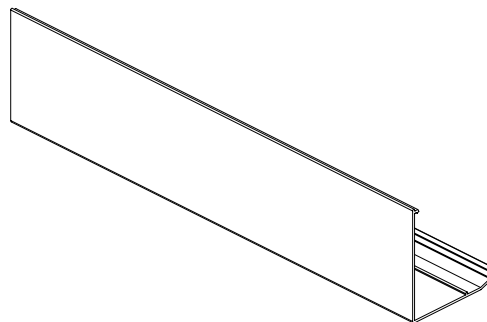
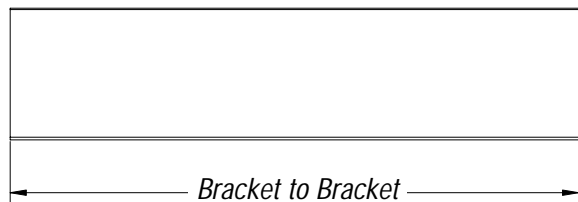


NOTES:

1. Pocket size to be determined by final window size and fabric type.
2. Available in white, custom colors available.

System Lineals

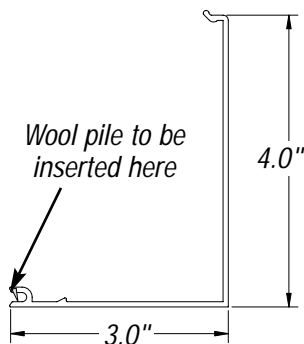
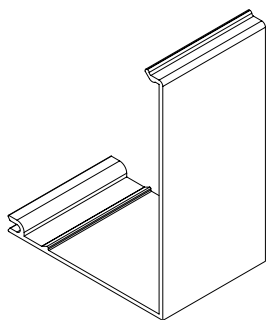
3" FASCIA



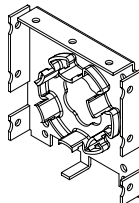
NOTES:

1. Material: .062 extruded aluminum
2. Colors: white, bronze, or anodized
3. Custom colors available

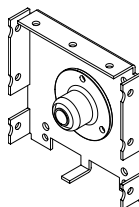
4" FASCIA



4" FASCIA MOTOR BRACKET



4" FASCIA IDLER BRACKET

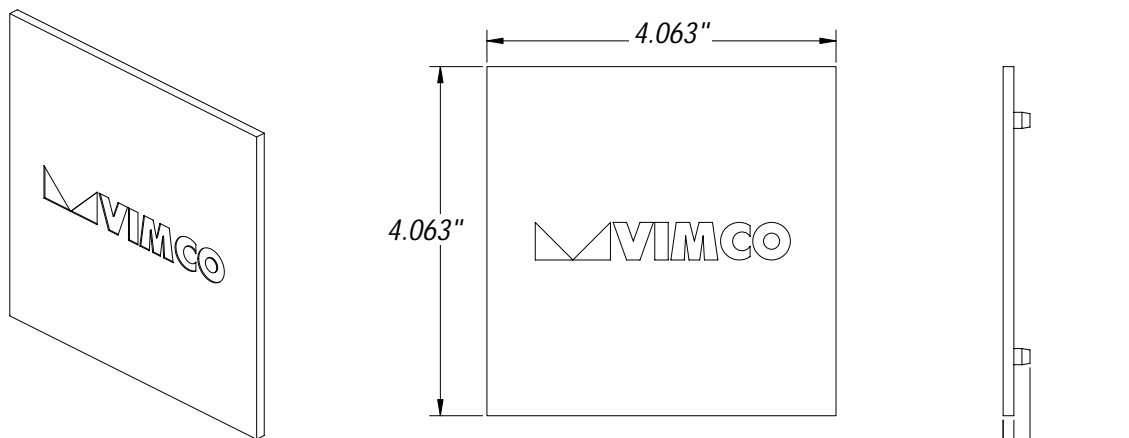


NOTES:

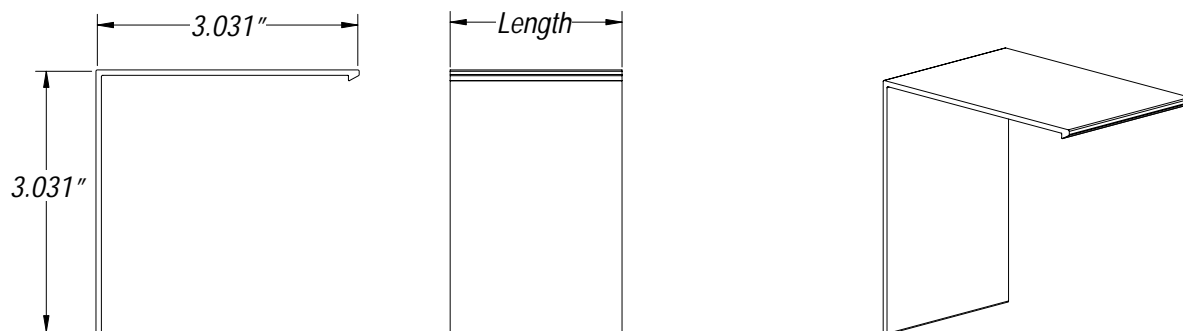
1. Material: .072" extruded aluminum
2. Colors: white, bronze, anodized
3. Custom colors available

System Lineals

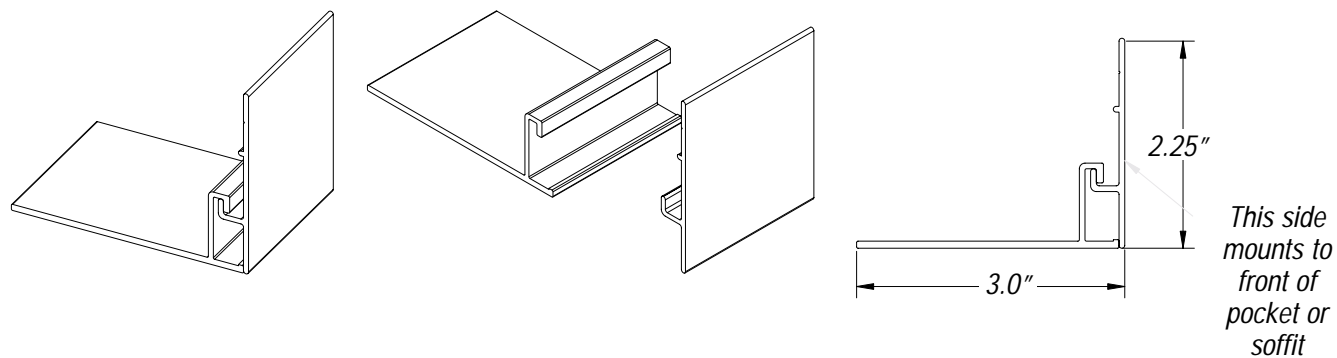
FASCIA ENDCAPS (4" VERSION ONLY)



TOP BACK COVER (3" AND 4" SIZES, 3" SHOWN)

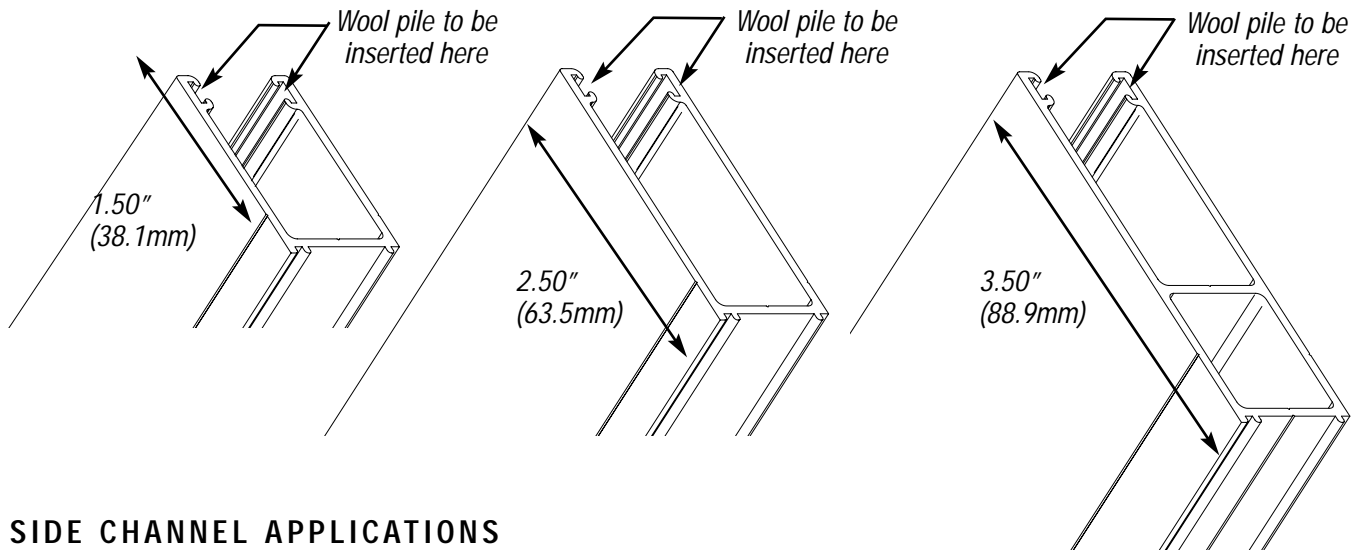


POCKET FLAP AND HANGER



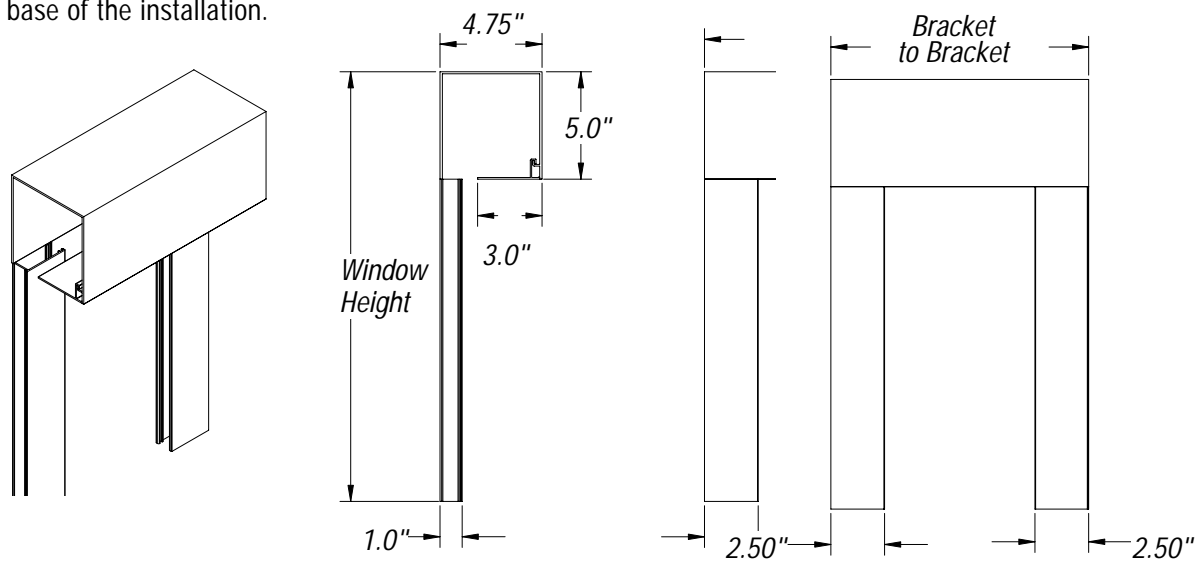
System Lineals

SIDE CHANNEL (AVAILABLE IN 1.5", 2.5" AND 3.5" SIZES)



SIDE CHANNEL APPLICATIONS

Side channels fit seamlessly into the pocket to provide a light-seal. The Sill angle completes the framing at the base of the installation.



note: 2.50" side channel shown

SILL ANGLE

