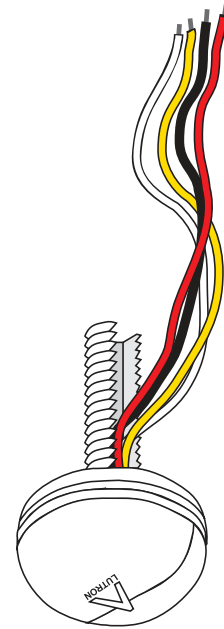


## Wired Daylight Sensor with Infrared Receiver

This daylight sensor is designed specifically to work with Lutron® ballasts, control modules, and sensor interfaces to implement daylight harvesting. To maintain a specific light level in the space, it allows the control system to automatically dim the lights when the available daylight is high and brighten the lights when the available daylight is low. An integrated infrared (IR) receiver resides within the sensor to allow access to the system for advanced programming and personal control.

### Features

- Mounts easily on any ceiling tile or fixture.
- Threaded mounting stud may be shortened for applications with limited fixture height.
- Calibrated for daylight sensitivity through the lighting control system to which it is attached.
- Receives IR signals and transfers them to a digital ballast, control module, or sensor interface.
- The infrared receiver receives IR programming signals from up to 8.2 ft (2.5 m) away.
- Constructed of flame-retardant material.
- Meets IEC 801-2. Tested to withstand 15 kV electrostatic discharge without damage.
- LED indicates programming mode.
- Sensor wire insulation is rated to 600 V, suitable for fixture installation.



<p>Job Name:</p>  <p>Job Number:</p>	<p>Model Numbers:</p>
--	-----------------------

## Specifications

### Standards

- Designed for SELV/PELV/NEC® Class 2 operation only. Voltages do not exceed 35 V<sub>rms</sub>.
- Designed to give a linear response to changes in viewed light level.
- For use with Lutron® products only.
- cULus Listed

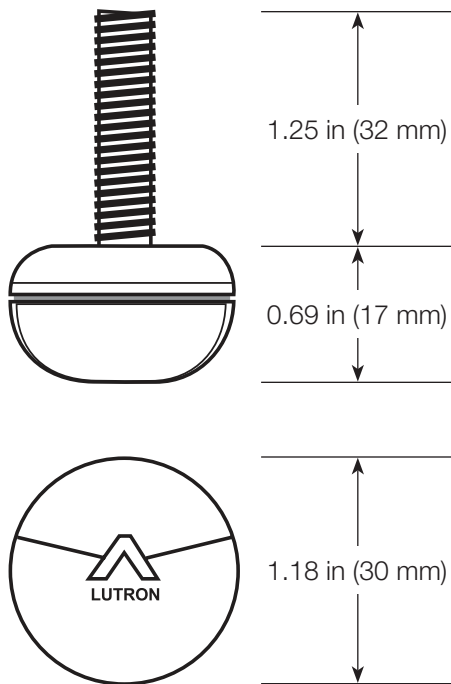
### Power

- Operating Voltage: SELV/PELV/NEC® Class 2, 20 V<sub>rms</sub>
- Analog Signal: 5 mA
- IR Output: 0–20 V<sub>rms</sub>

### Environment

- Temperature: 32 °F to 113 °F (0 °C to 45 °C).
- Relative Humidity: Maximum 90%, non-condensing.

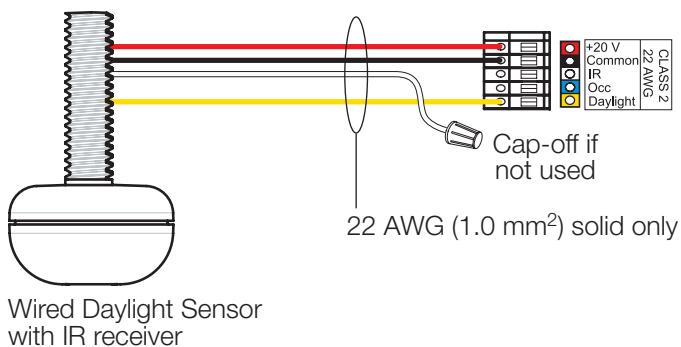
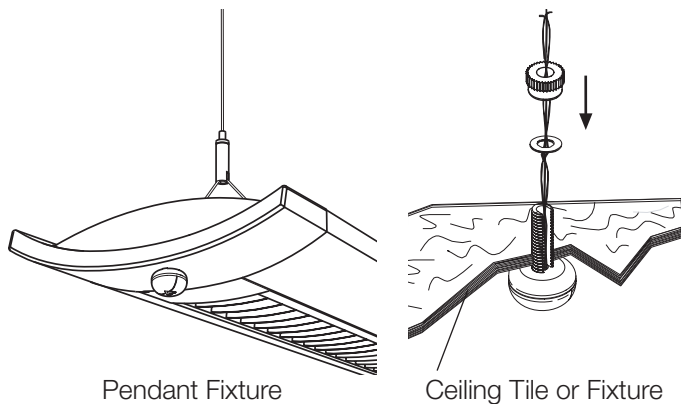
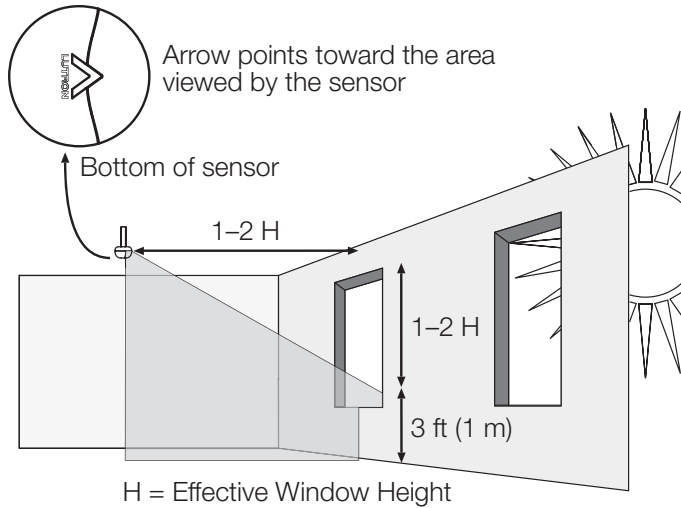
### Dimensions



- Sensor lead length = 4 in (100 mm) minimum beyond threaded stud.
- Total wire length from sensor to device must not exceed 100 ft (30 m).
- Threaded stud diameter = 3/8 in (9.5 mm) maximum.
- Use 3/8-16 nut (provided) for mounting.

Job Name:	Model Numbers:
Job Number:	

## Mounting and Wiring



## Installing

### Determine the Proper Location of the Daylight Sensor Using the Adjacent Diagram.

- The arrow on the daylight sensor points toward the area viewed by the sensor.
- The effective window height (H) starts 3 ft (1 m) up from the floor or at the window sill, whichever is higher, and ends at the top of the window.
- Place the daylight sensor so its viewing area is centered upon the nearest window at a distance of between 1-2 H from the window.
- Ensure that the view of the daylight sensor is not obstructed.
- Do not position the daylight sensor in the well of a skylight or above indirect lighting fixtures.

### Mounting the Daylight Sensor

- Drill a 3/8 in (10 mm) diameter hole in the ceiling tile or pendant fixture.
- Thread the wires through the hole.
- Install the daylight sensor into the hole.
- Secure the daylight sensor with the mounting hardware provided (hand tighten only).

**Note:** If the stem of the daylight sensor must be shortened because of its location (e.g., in a pendant fixture), this should be done prior to wiring.

### Wiring to a Sensor Input

- Connect the sensor wires as described:

Wire	Terminal
Red	20 V---
Black	Common
Yellow	Daylight Signal
White	IR Signal (cap if not used)

- Make sure that the supply breaker to the control system is OFF.
- Use only 22 AWG (1.0 mm<sup>2</sup>) solid wire.
- If IR output is not required, the white wire should be terminated.
- A sensor can be wired only to a single control module or sensor interface.
- Each input on a control module or sensor interface can have only one daylight sensor connected to it.

Job Name:	Model Numbers:
Job Number:	