

C5-BMF-2A with PerSONNA® Functionality

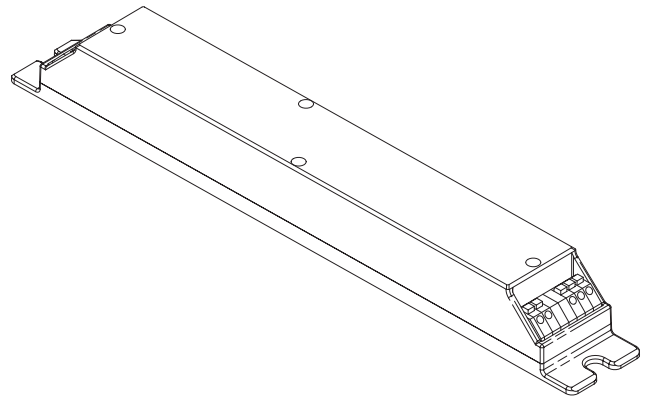
This *EcoSystem* Ballast Module allows control of Lutron's 3-wire phase controlled dimming ballasts by a handheld transmitter (in conjunction with a C-R-M1-WH sensor for Eco-10®, Compact SE™, and Hi-lume® series only).

Custom Functionality

- Does not require *EcoSystem* Bus
- Control range: Low End to full on
- Cannot be turned off with IR remote

Retained Features

- Continuous, flicker-free dimming from 100% to minimum ballast level. (10% for *Eco-10*, 5% for *Compact SE*, and 1% for *Hi-lume*)
- Powers and responds to one personal control input (infrared receiver)
- Universal voltage input: 120/240/277 V~ 50/60 Hz
- 100% performance tested at factory
- Fixture mountable



Job Name:	Model Numbers:
Job Number:	

Specifications

Standards

- UL Listed (evaluated to the requirements of UL935)
- CUL Listed
- Class P thermally protected
- Meets FCC Part 18 Non-Consumer requirements for EMI/RFI emissions
- Meets ANSI C62.41 Category A surge protection standards up to and including 4 kV
- Manufacturing facilities employ ESD reduction practices that comply with the requirements of ANSI/ESD S20.20
- Lutron Quality Systems registered to ISO 9001.2000

Power

- Operating Voltage: 120/240/277 V~ 50/60 Hz
- Dimming Range: 100% to minimum ballast level (10% for Eco-10®, 5% for Compact SE™, 1% for Hi-lume®) relative light output
- Class 2 Output: +20 V= 50 mA max.
- Controls 1 to 20 Eco-10, Compact SE, or Hi-lume series 3-wire phase-controlled dimming ballasts

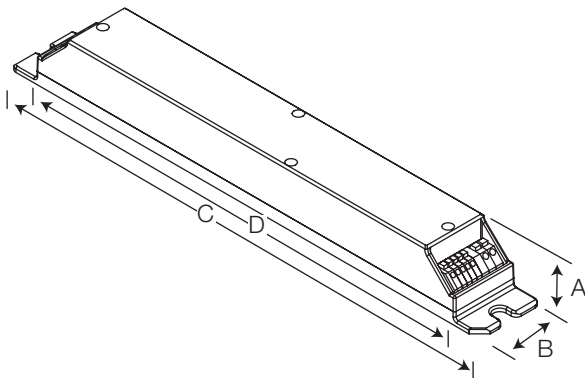
Environment

- Ambient Temperature Operating Range: 50-140 °F (10-60 °C)
- Relative humidity: less than 90% non-condensing

Ballast Module Wiring

- Terminal blocks on the BMF accept only ONE solid wire of the following size:
Power Wiring (H, DH, N):
18 to 16 AWG (1.0 to 1.5 mm²) solid wire
Class 2 Sensors:
24 to 22 AWG (0.20 to 0.50 mm²) solid wire
- Mounts using two screws within a fluorescent fixture or other approved electrical enclosure

Dimensions



Dimensions

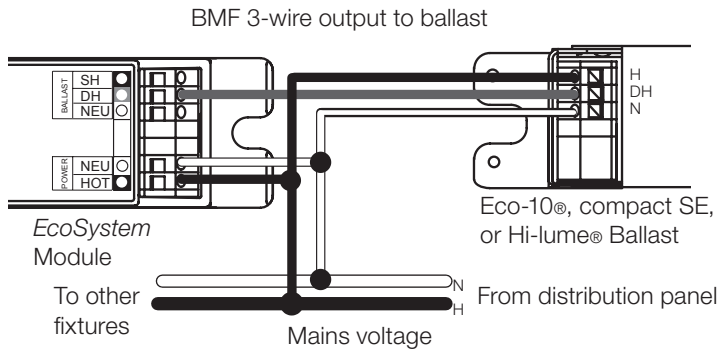
- A = 1.0 in (25 mm)
- B = 1.18 in (30 mm)
- C = 9.3 in (236 mm)
- D = 8.9 in (226 mm) mounting centers

Job Name:

Model Numbers:

Job Number:

EcoSystem Module Wiring to One Dimming Ballast



Line Voltage Ballast Terminals

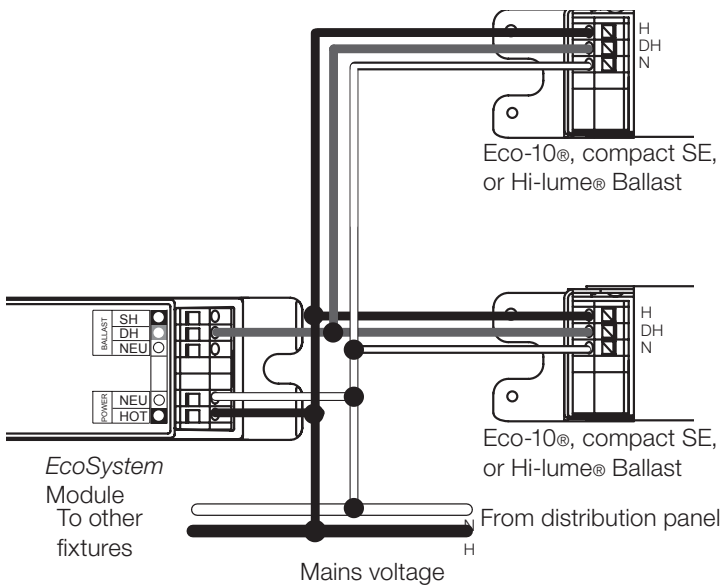
EcoSystem Module output to Lutron ballasts:

- 18 to 16 AWG (1.0 to 1.5 mm²) solid wire
- Maximum distance module to ballast: 50 ft (15 m)
- Terminal colors:
Orange = Dimmed Hot (DH)
White = Neutral (NEU)

Mains voltage input terminals:

- 18 to 16 AWG (1.0 to 1.5 mm²) solid wire connects to facility distribution wiring

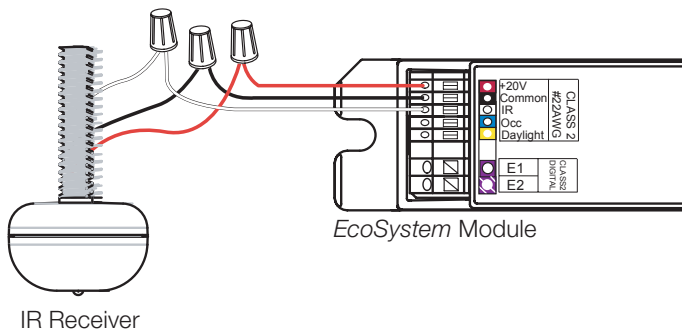
Wiring to Multiple Ballasts



Wiring to Multiple Ballasts within a Fixture

- Only use this wiring scheme when wiring multiple dimming ballasts to one EcoSystem Module:

Low-Voltage Wiring



Wiring to an Infrared Receiver

- Wire color designations of the sensor:
Red = 20 V---
Black = Common
White = IR Signal
- Make sure that the supply breaker to the EcoSystem Module is OFF when wiring.
- Connect the three conductors to the EcoSystem Module terminals as shown.

Note: The EcoSystem Module accepts only one IR Input.

Job Name:	Model Numbers:
Job Number:	