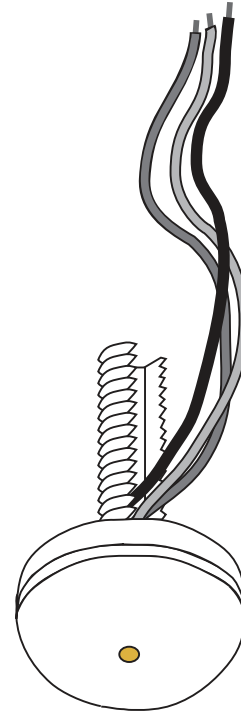


## Fixture Mountable Infrared Sensor

The Infrared Sensor is designed specifically to work with Lutron's control modules and sensor interfaces. The Infrared Receiver provides personal control input by wiring directly to the control module. The Infrared (IR) receiver can be used to control one fixture or a group of fixtures.

### Features

- Mounts easily on any ceiling tile or fixture with 10 mm (3/8 in) diameter hole
- Threaded mounting stud may be shortened for applications with limited fixture height
- Receives IR signals and transfers them to a Digital Ballast or Ballast Module
- Integral LED indicates signal reception
- Constructed of flame retardant material
- Meets IEC 801-2. Tested to withstand 15 kV electrostatic discharge without damage
- LEDs indicate programming mode and IR signal reception
- Sensor wire insulation is rated to 600 V, suitable for fixture installation



Job Name:	Model Numbers:
Job Number:	

## Specifications

### Standards

- Designed for low-voltage PELV operation only. Voltages do not exceed 35 V<sub>===</sub>.
- For use with Lutron products only

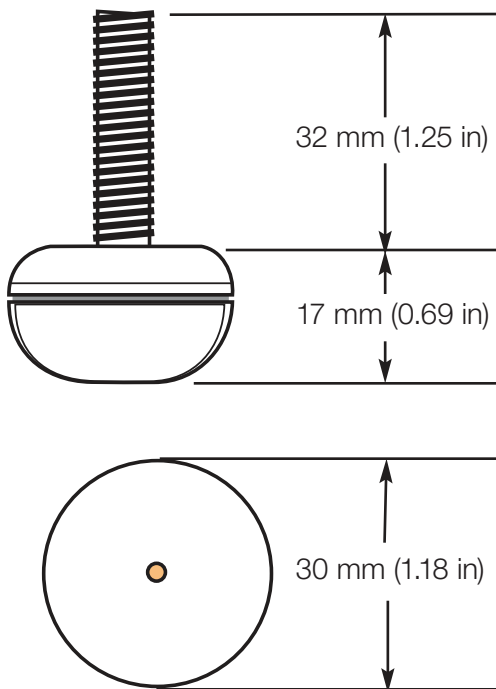
### Power

- Operating Voltage: Low-voltage PELV, 20 V<sub>===</sub>
- IR Output: 0-20 V<sub>===</sub>

### Environment

- Temperature: 0-45 °C (32-113 °F)
- Relative humidity: less than 90% non-condensing

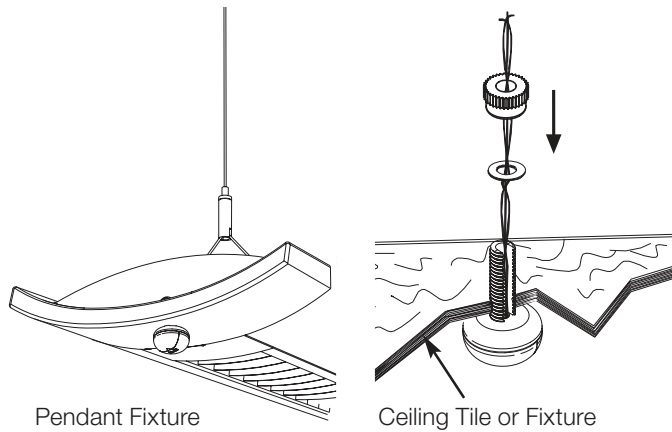
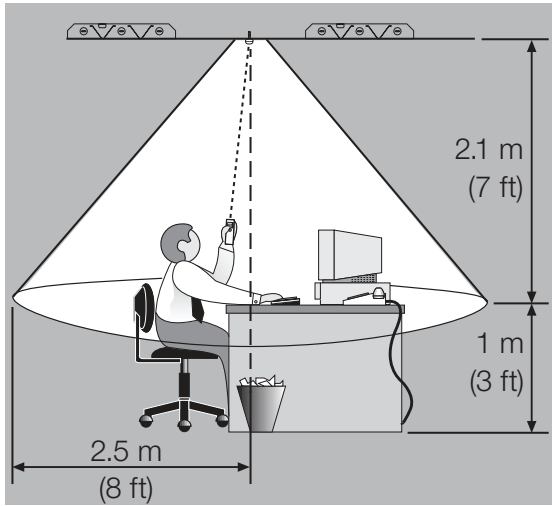
### Dimensions



- Sensor lead length = 100 mm (4 in) minimum beyond threaded stud.
- Total wire length from sensor to device must not exceed 30 m (100 ft).
- Threaded Stud Diameter = 9.5 mm (3/8 in) maximum.
- Use 3/8-16 nut (provided) for mounting.

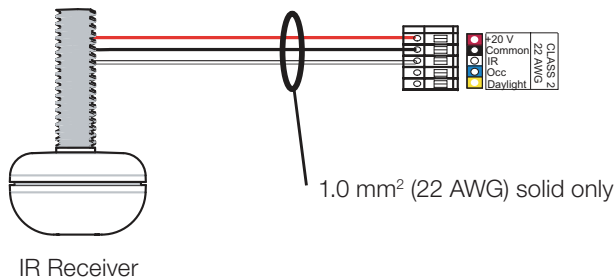
Job Name:	Model Numbers:
Job Number:	

**Mounting and Wiring**



Pendant Fixture

Ceiling Tile or Fixture



IR Receiver

**Installation**

**Determine the proper location of the Infrared Receiver using the adjacent diagram.**

- The IR receiver responds to IR signals from up to 2.5 m (8 ft) away when mounted on a 3 m (10 ft) ceiling.
- The effective cone of reception is shown on the left.
- The cone of reception is diminished when the receiver is mounted less than 3 m (10 ft) from the floor.
- The receiver requires a clear line of sight between itself and the remote control for proper operation.

**Mounting the IR Receiver**

- Drill a 10 mm (3/8 in) diameter hole in the ceiling tile or pendant fixture
- Thread the wires through the hole
- Install the IR Receiver into the hole
- Secure the IR Receiver with the mounting hardware provided (hand tighten only).

Note - If the stem of the IR Receiver must be shortened due to its location (for instance, in a pendant fixture) this should be done prior to wiring.

**Wiring to a Sensor Input**

- Connect the sensor wires as described:

<u>Wire</u>	<u>Terminal</u>
Red	20 V===
Black	Common
White	IR Signal

- Make sure that the supply breaker to the control system is OFF
- Use only 1.0 mm<sup>2</sup> (22 AWG) solid wire
- An IR sensor can only be wired to a single control module or sensor interface.
- A single input on a control module or sensor interface can only have one IR receiver connected to it.

Job Name:	Model Numbers:
Job Number:	