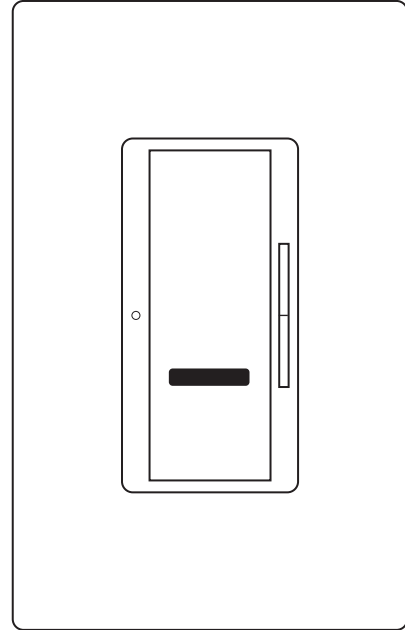


1-Button Wall Control with Raise/Lower

The 1-Button Wallstation functions as an individual or group control of EcoSystem® devices and can provide a programming point for devices in the system. The wallstation connects directly to the EcoSystem® ballast, ballast module, Energi Savr Node™, or QS Sensor Module (QSM) via low-voltage wiring.

Features

- Wires Class 2 / Low-Voltage
- Mounts easily in any single-gang wallbox
- On/Off tapswitch
- Single tap to return to preset level or double tap to full on
- Raise/Lower rocker
- Built-in infrared receiver allows wallstation to be used as a programming point for EcoSystem® ballasts or ballast modules (traditional programming via PDA only)
- Infrared (IR) signals are received through the plastic button (maximum distance of 10 ft / 3 m)
- Programming of control groups can be performed at the wallstation when used only with EcoSystem® ballasts or ballast modules.
- Multi-color LED to indicate button presses, programming mode, and reception of infrared signals
- Green LED shall be on at all times and operate as a “night light”
- Red LED shall indicate programming mode is active
- Fits any designer (Claro®) opening faceplates
- Faceplate not included
- Zone Control when used with Energi Savr Node™ or Quantum®



Job Name:

Model Numbers:

Job Number:

Specifications

Standards

- UL Listed to US and Canadian safety standards
- cUL Listed
- Designed for Class 2 operation only. Voltages do not exceed 35 V_{rms}. Complies with requirements of NFPA 70, of the National Electric Code (NEC®)
- Follow all applicable national and/or local wiring regulations when installing this wallstation
- For use with EcoSystem® products, Energi Savr Node™ and Quantum®

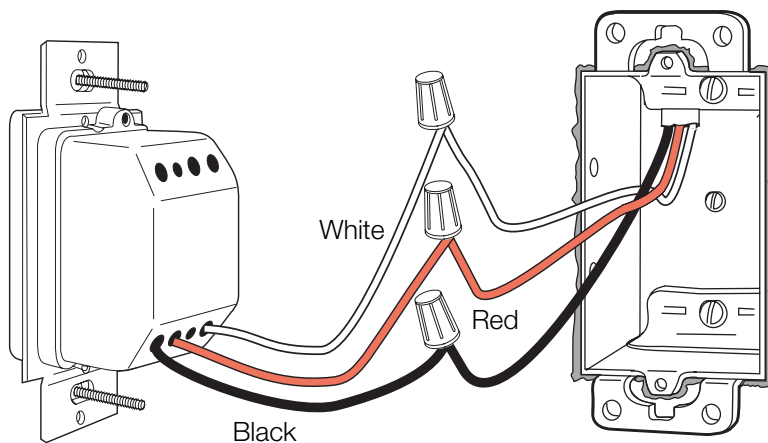
Mechanical

- Gloss finish available in White, Black, Light Almond, and Ivory
- LED flashes in response to button presses and programming commands

Notes

- Total wire length from keypad to device must not exceed 100 ft (30 m)
- Lead wires for connection to device

Wiring



Power

- Operating Voltage: Low-voltage Class 2, 20 V_{rms}
- Output Signal: 0–20 V_{rms}
- Current Draw: 15 mA maximum

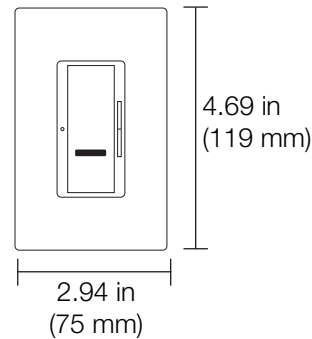
Environment

- Temperature: 32 to 113 °F (0 to 45 °C)
- Relative humidity: less than 90% non-condensing

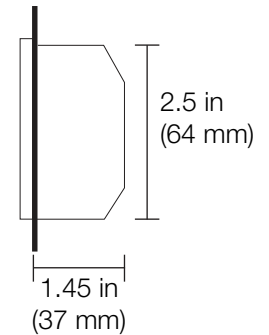
Dimensions

- Including Claro® wallplate (sold separately)

Front



Profile



Wiring to EcoSystem® Ballast, Ballast Module, Energi Savr Node™ or QS Sensor Module (QSM)

- Wire color designations:
 - Red = 20 V_{rms}
 - Black = Common
 - White = Signal (IR terminal on ballast or module)
- Make sure that the supply breaker for the EcoSystem® device to which the control will be connected is OFF
- Connect the three conductors to the appropriate terminals of the EcoSystem® ballast, ballast module, Energi Savr Node™ or QS Sensor Module (QSM)

Job Name:

Model Numbers:

Job Number: