

4-Button Wall Control with Raise/Lower

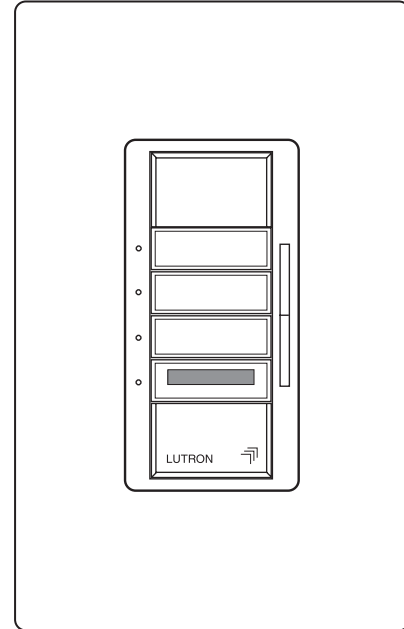
The 4-Button Wallstation recalls lighting presets for a group of EcoSystem® devices. The wallstation connects directly to the EcoSystem® ballast, ballast module, Energi Savr Node™, or QS Sensor Module (QSM) via low-voltage wiring.

Features

- Wires Class 2 / Low-Voltage
- Mounts easily in any single-gang wallbox
- 4 Presets as well as All On and All Off
- Raise/Lower rocker controls all assigned ballasts
- Built-in infrared receiver allows wallstation to be used as a programming point for EcoSystem® ballasts or ballast modules (traditional programming via PDA only)
- Infrared (IR) signals are received through the plastic button (maximum distance of 10 ft / 3 m)
- Programming of control groups can be performed at the wallstation
- Programming of scene levels can be performed at the wallstation when used only with EcoSystem® ballasts or ballast modules
- Multi-color LED to indicate button presses, programming mode, and reception of infrared signals
- Green LEDs shall be on at all times and operate as a “night light”
- Red LEDs shall indicate programming mode is active
- Fits any designer (Claro®) opening faceplates
- Faceplate not included
- Zone Control when used with Energi Savr Node™ or Quantum®

Notes

- Zone toggle and unaffected zone not supported in this model
- This product is designed to control a single ballast or group of ballasts or modules
- A second 4B control in the same group will perform the same function (recalls the same 4 scenes)



Job Name:

Model Numbers:

Job Number:

Specifications

Standards

- UL Listed to US and Canadian safety standards
- cUL Listed
- Designed for Class 2 operation only. Voltages do not exceed 35 V_{DC}. Complies with requirements of NFPA 70, of the National Electric Code (NEC®)
- Follow all applicable national and/or local wiring regulations when installing this wallstation
- For use with EcoSystem® products, Energi Savr Node™ and Quantum®

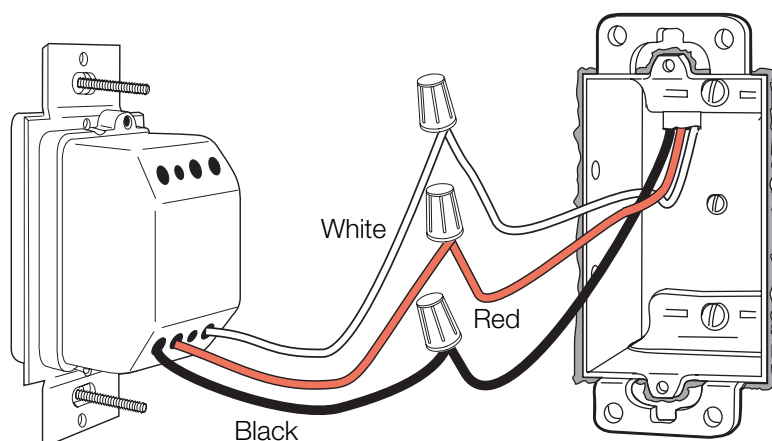
Mechanical

- Gloss finish available in White, Black, Light Almond, and Ivory
- Green LED night light, red LED for programming

Notes

- Total wire length from keypad to device must not exceed 100 ft (30 m)
- Lead wires for connection to device

Wiring



Power

- Operating Voltage: Low-voltage Class 2, 20 V_{DC}
- Output Signal: 0–20 V_{DC}
- Current Draw: 25 mA maximum

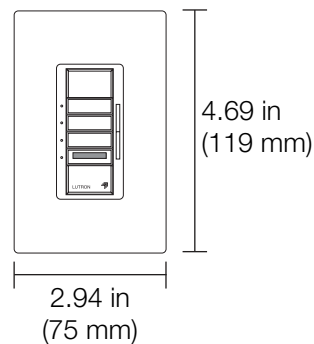
Environment

- Temperature: 32 to 104 °F (0 to 40 °C)
- Relative humidity: less than 90% non-condensing

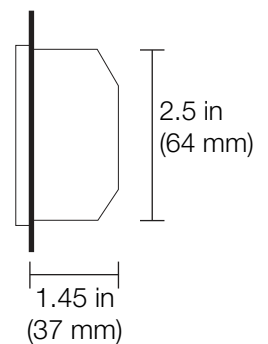
Dimensions

- Including Claro® wallplate (sold separately)

Front



Profile



Wiring to EcoSystem® Ballast, Ballast Module, Energi Savr Node™ or QS Sensor Module (QSM)

- Wire color designations:
Red = 20 V_{DC}
Black = Common
White = Signal (IR terminal on ballast or module)
- Make sure that the supply breaker for the EcoSystem® device to which the control will be connected is OFF
- Connect the three conductors to the appropriate terminals of the EcoSystem®, ballast, ballast module, Energi Savr Node™ or QS Sensor Module (QSM)

Job Name:

Model Numbers:

Job Number: