

ENERGI TRI-PAK & VIVE

BLOCK LIBRARY

WIRING LEGEND:

- INPUT POWER (NORMAL)
- 2 #12AWG (4 mm²)
- 2 #18AWG (1.0 mm²)
- 3 #18AWG (1.0 mm²)
- ◇ ECOSYSTEM BUS LOOP: LUTRON CABLE C-CBL-216-GR-1 (2 #16 CONDUCTOR NON-FLUORUM) OR C-PCBL-216-CL-1 (2 #16 CONDUCTOR FLUORUM RATED). OTHERWISE USE 2 #16 AWG (1.5 mm²) BY OTHERS.
- ⤴ 1-WAY RF COMMUNICATION

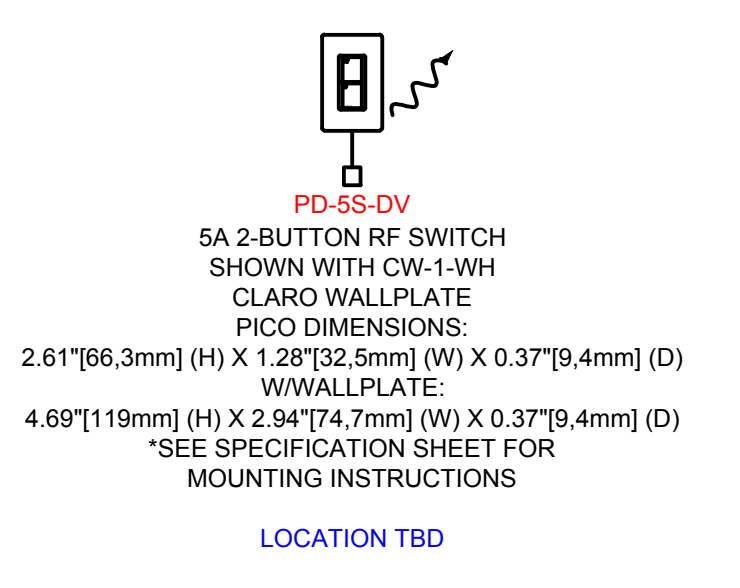
Energi Tri-Pak

GREEN: STANDALONE EQUIPMENT

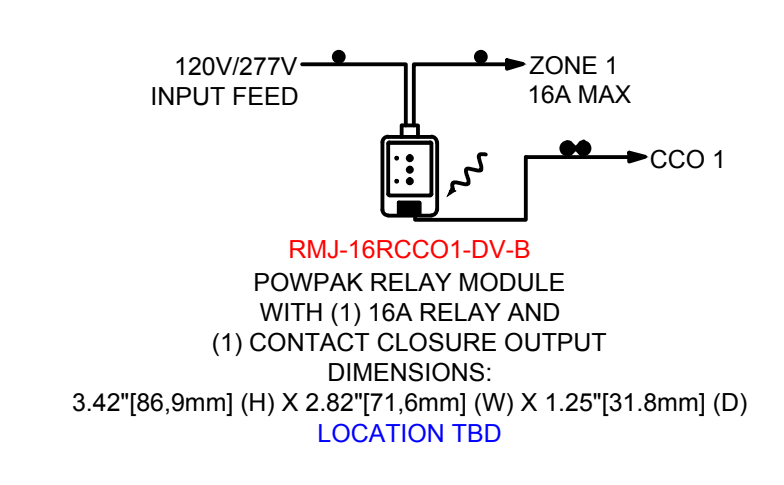
Vive

YELLOW: VIVE COMPATIBLE

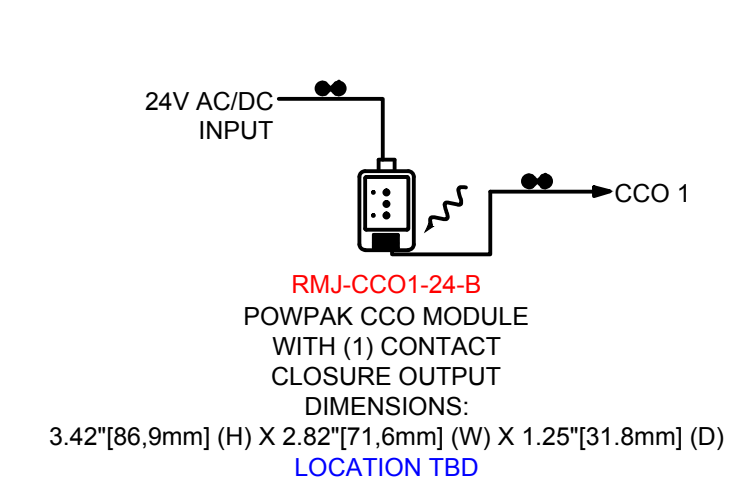
PD-5S-DV



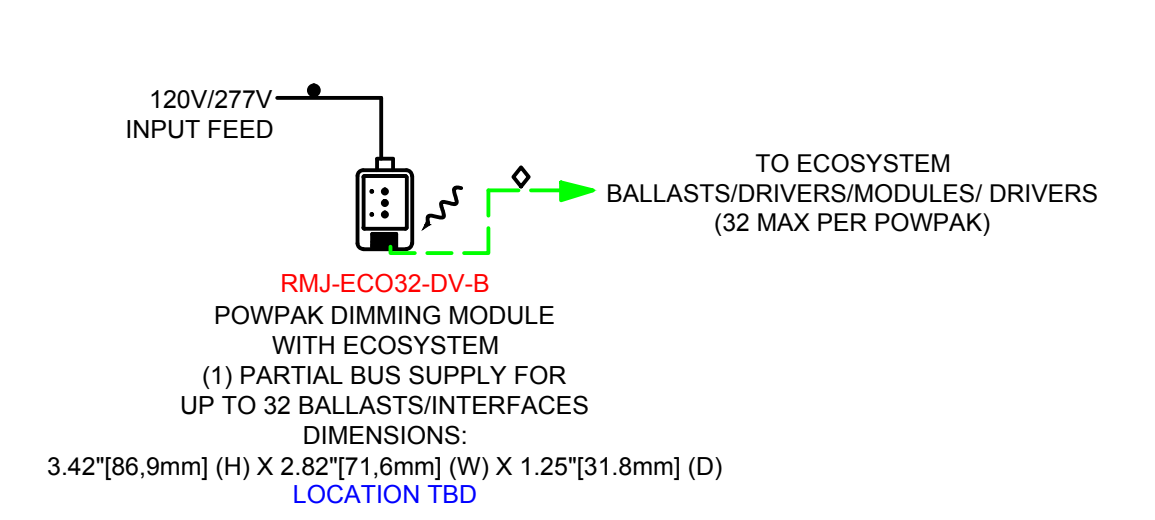
RMJ-16RCCO1-DV-B



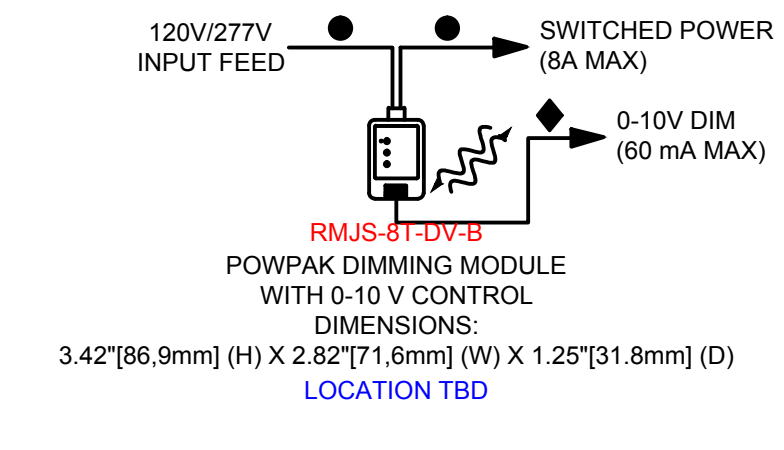
RMJ-CCO1-24-B



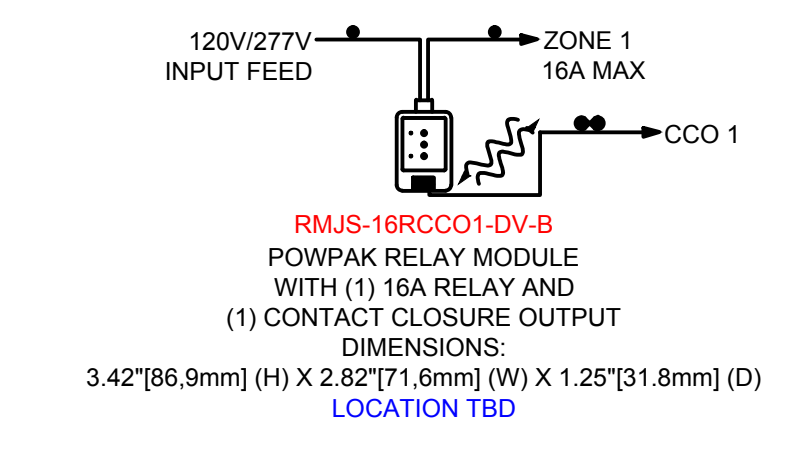
RMJ-ECO32-DV-B



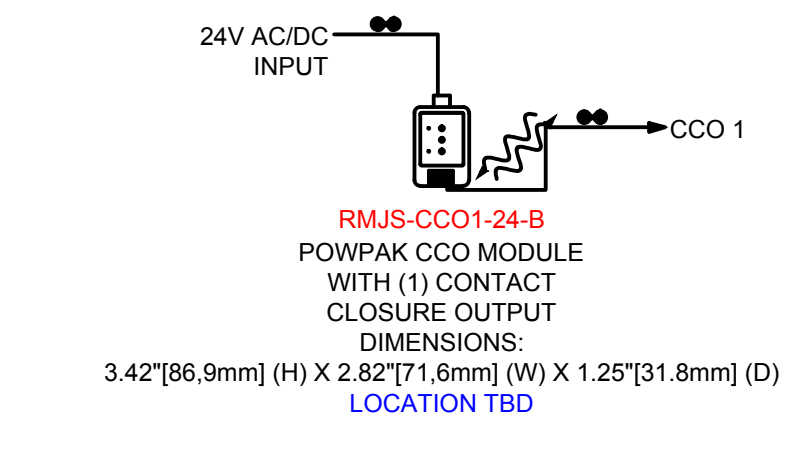
RMJS-8T-DV-B



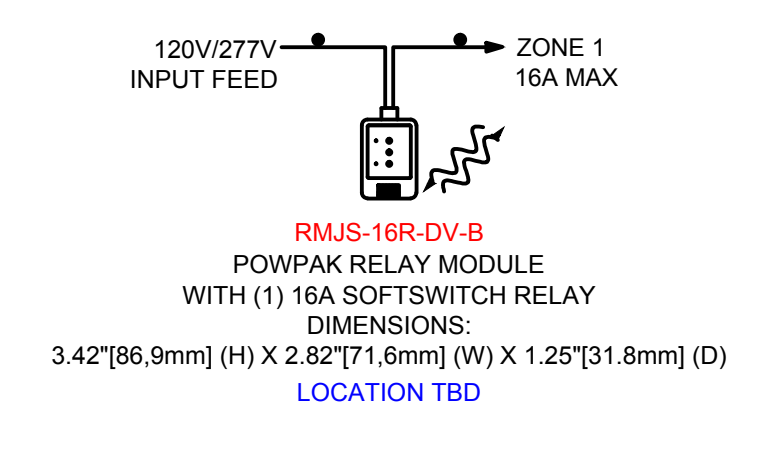
RMJS-16RCCO1-DV-B



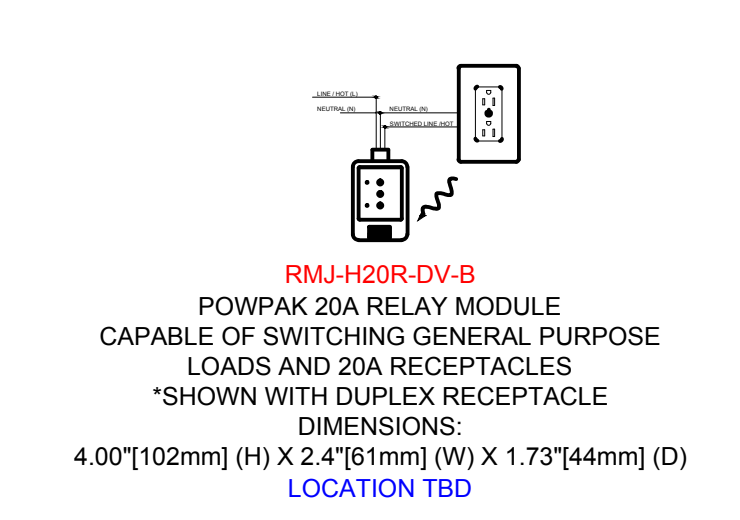
RMJS-CCO1-24-B



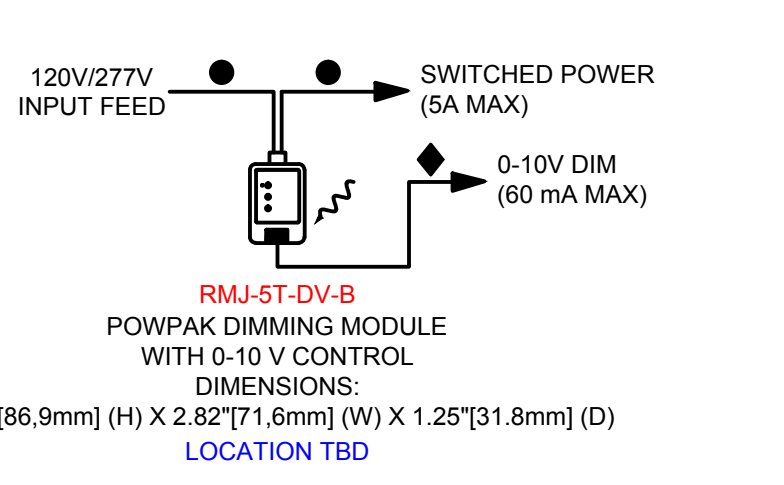
RMJS-16R-DV-B



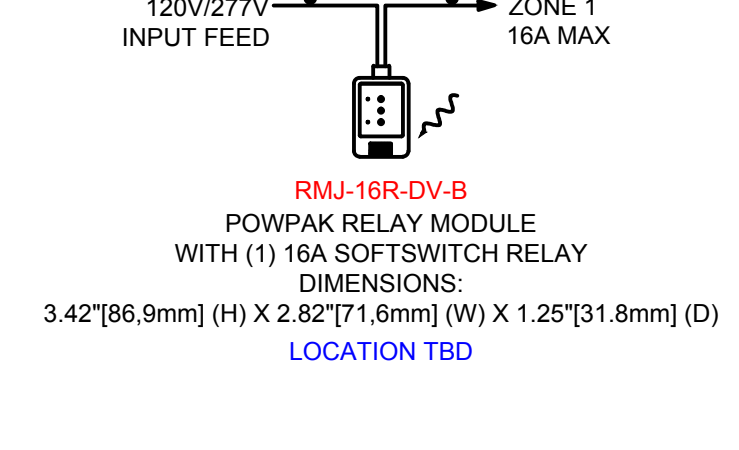
RMJ-H20R-DV-B



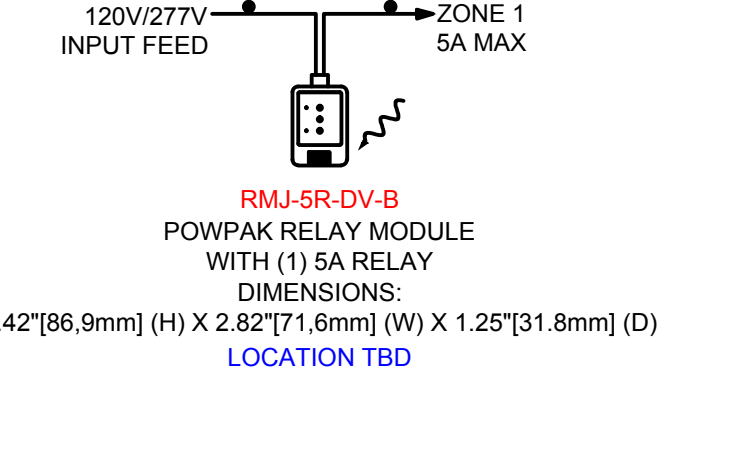
RMJ-5T-DV-B



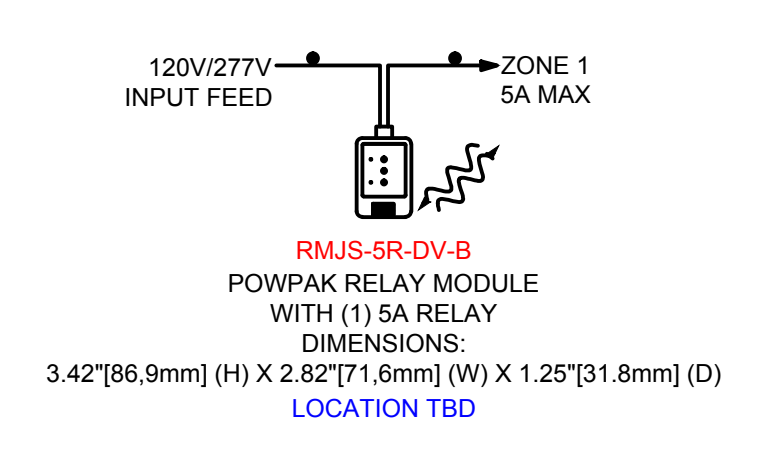
RMJ-16R-DV-B



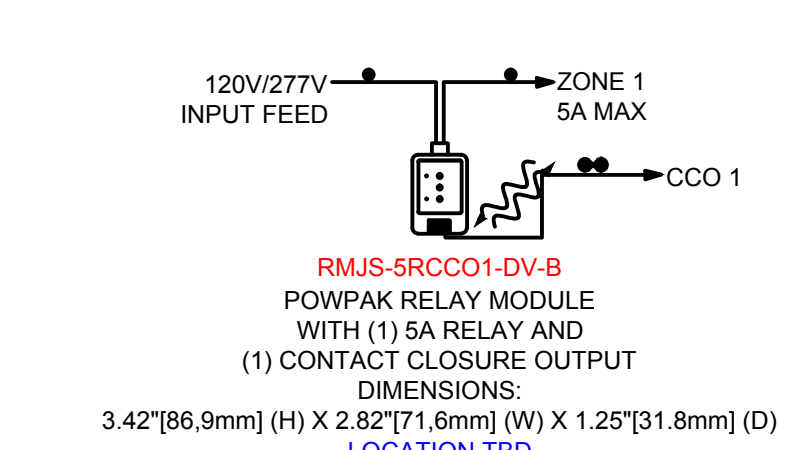
RMJ-5R-DV-B



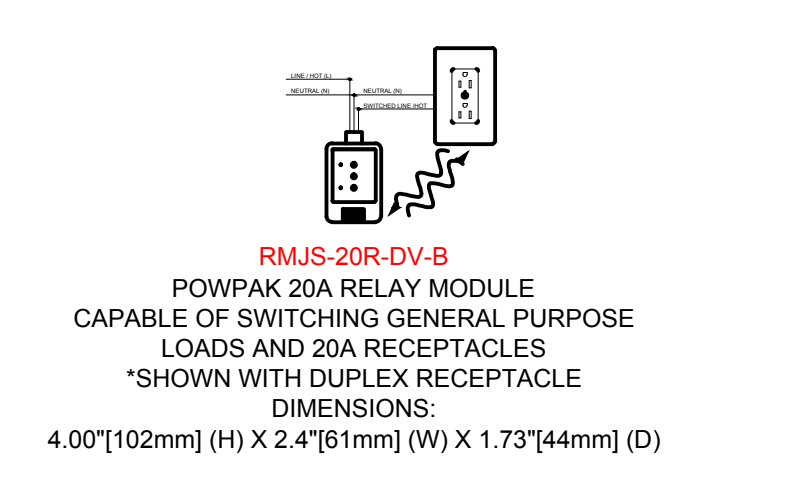
RMJS-5R-DV-B



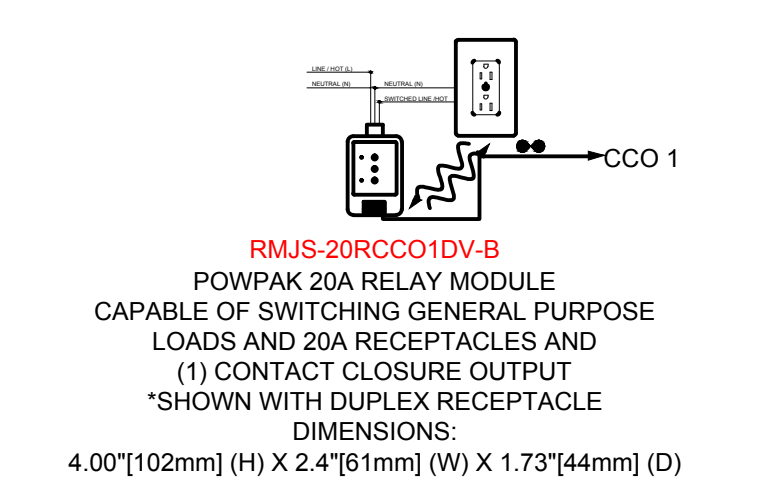
RMJS-5RCCO1-DV-B



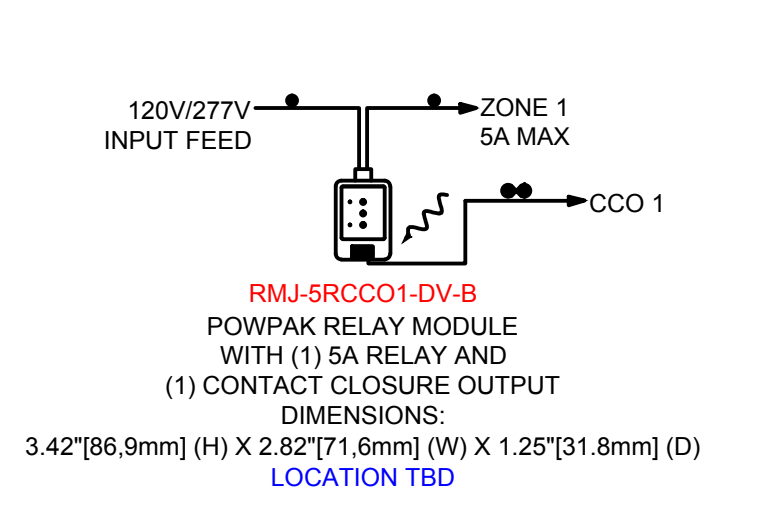
RMJS-20R-DV-B



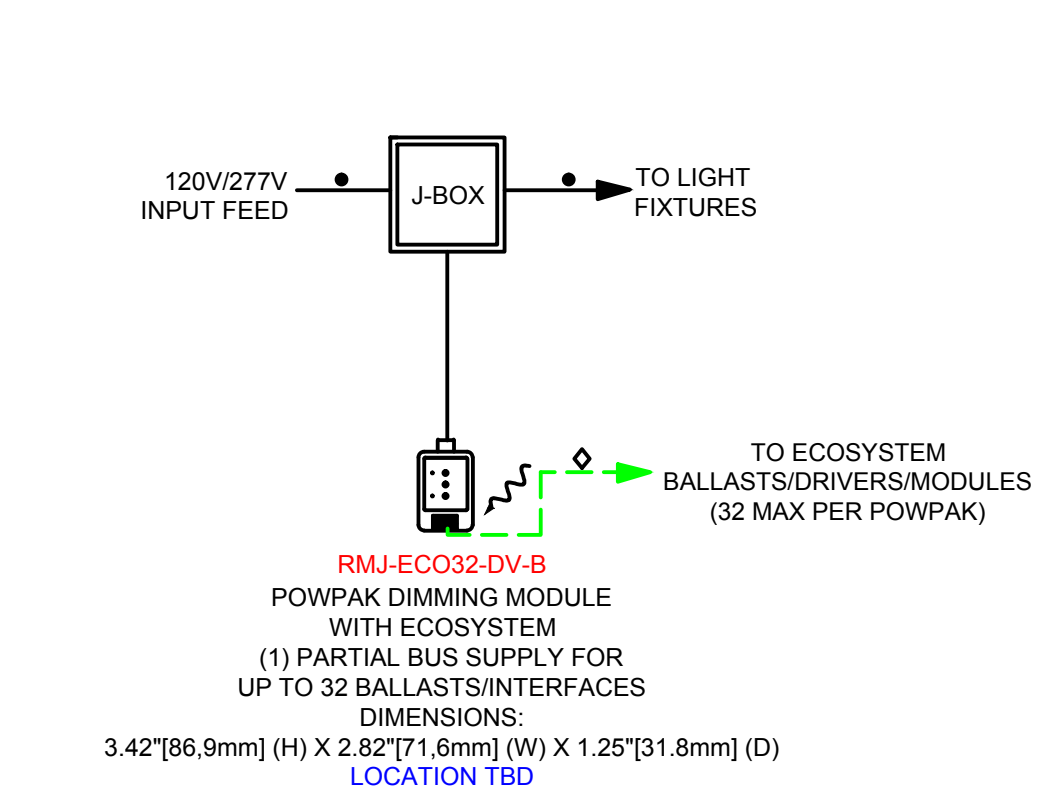
RMJS-20RCCO1DV-B



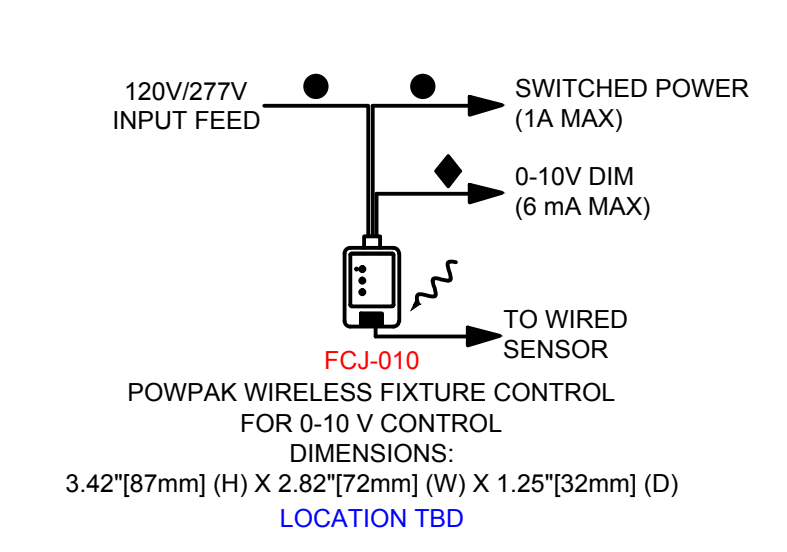
RMJ-5RCCO1-DV-B



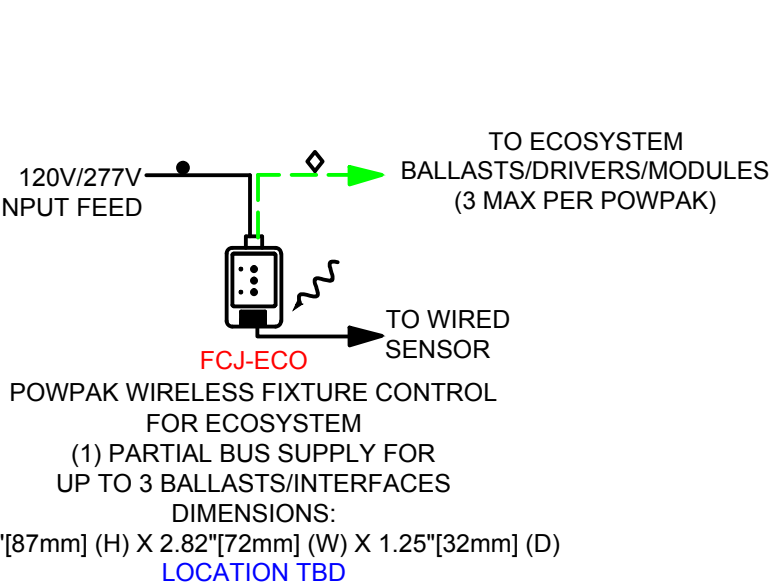
RMJ-ECO32-DV-B WITH JBOX



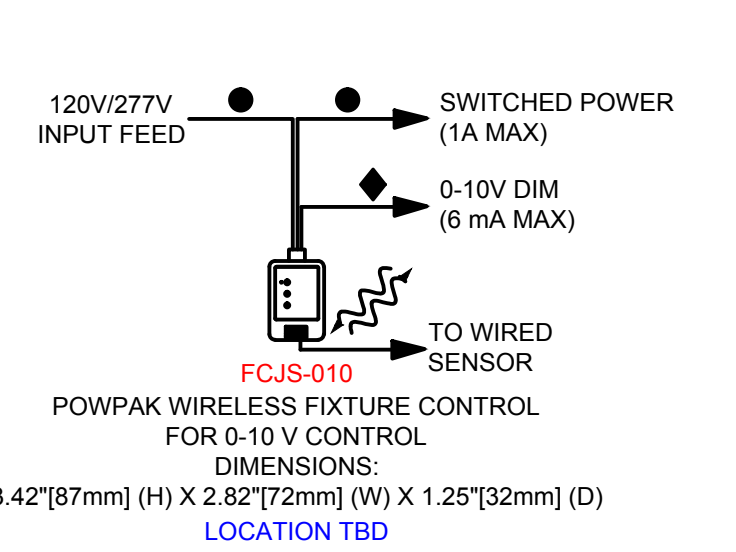
FCJ-010



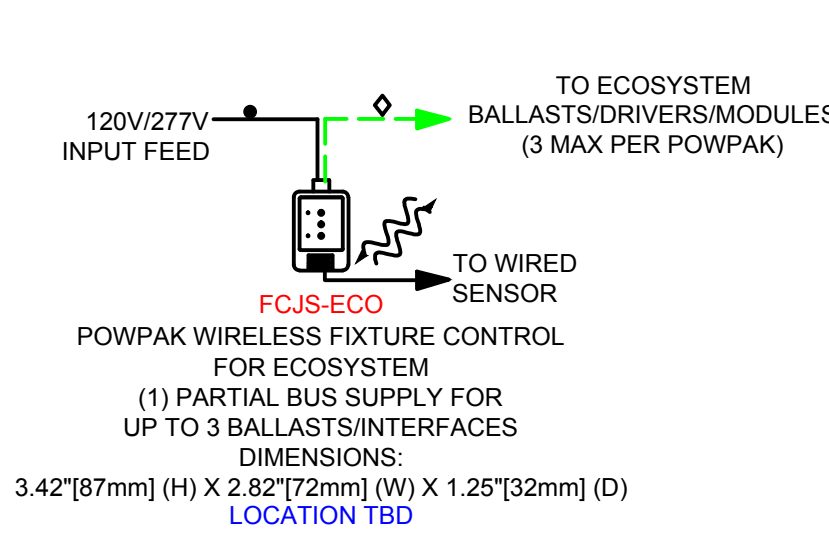
FCJ-ECO



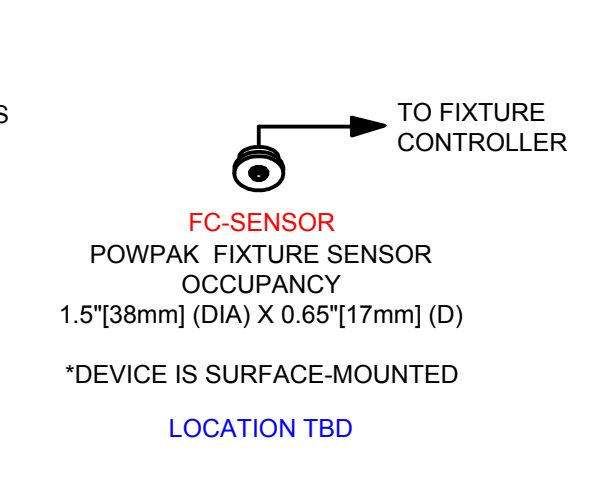
FCJS-010



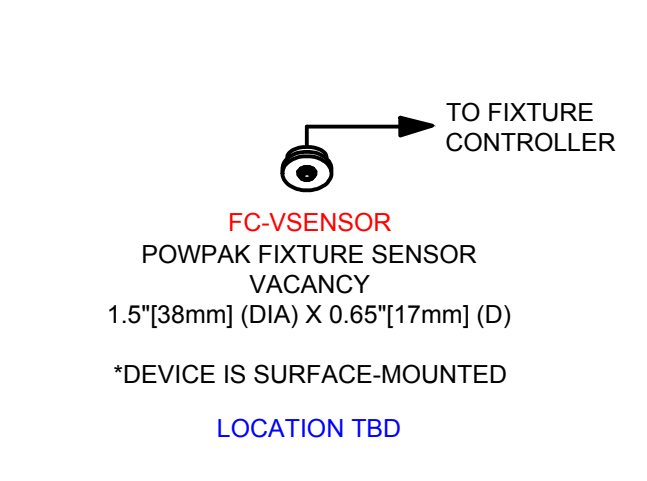
FCJS-ECO



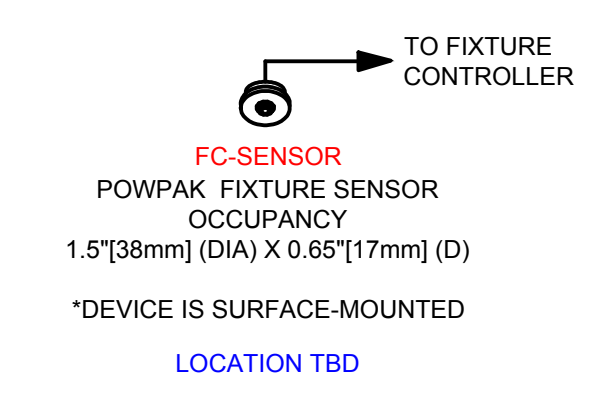
FC-SENSOR



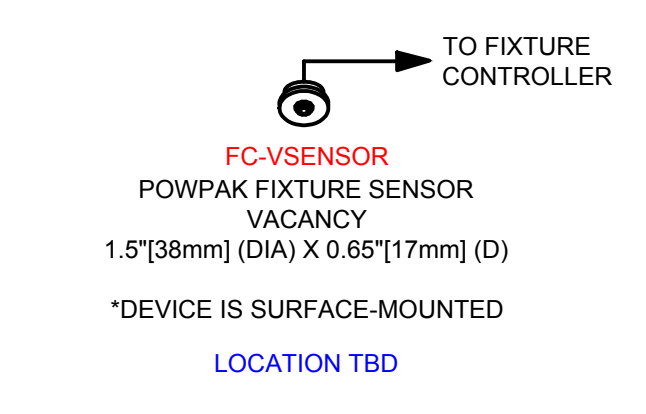
FC-VSENSOR



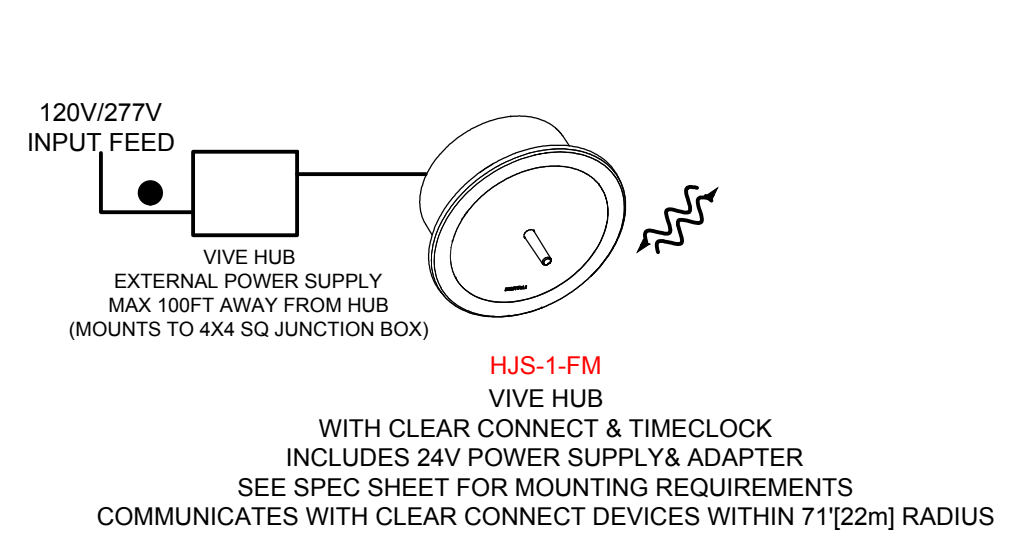
FC-SENSOR



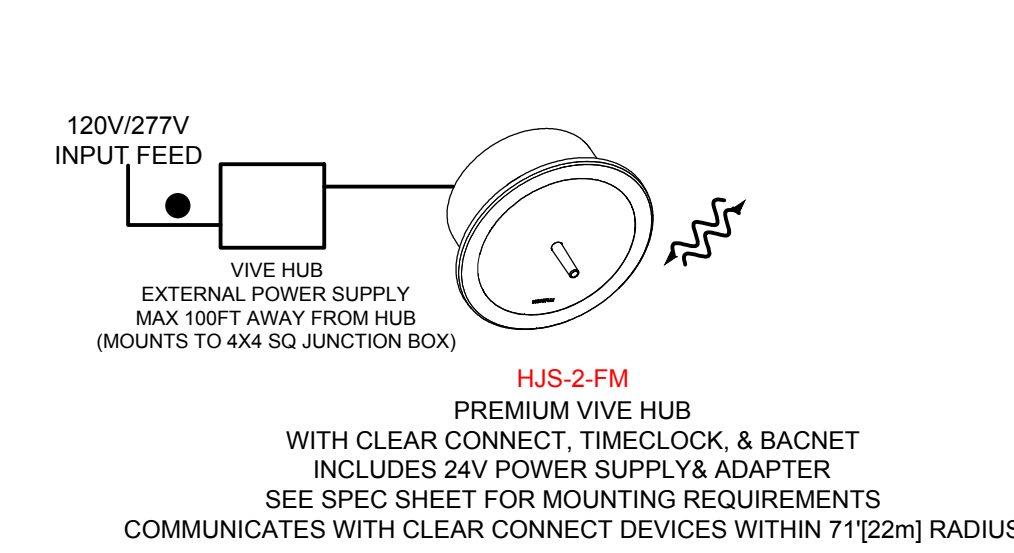
FC-VSENSOR



HJS-1-FM/SM

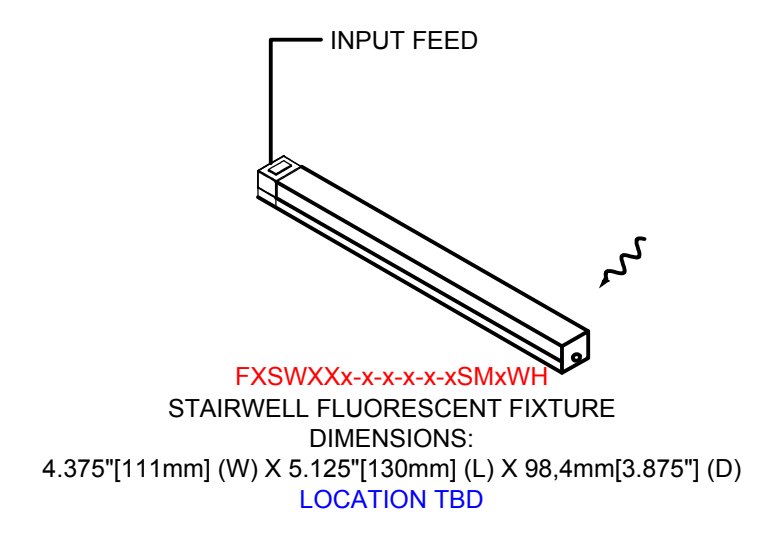


HJS-2-FM/SM

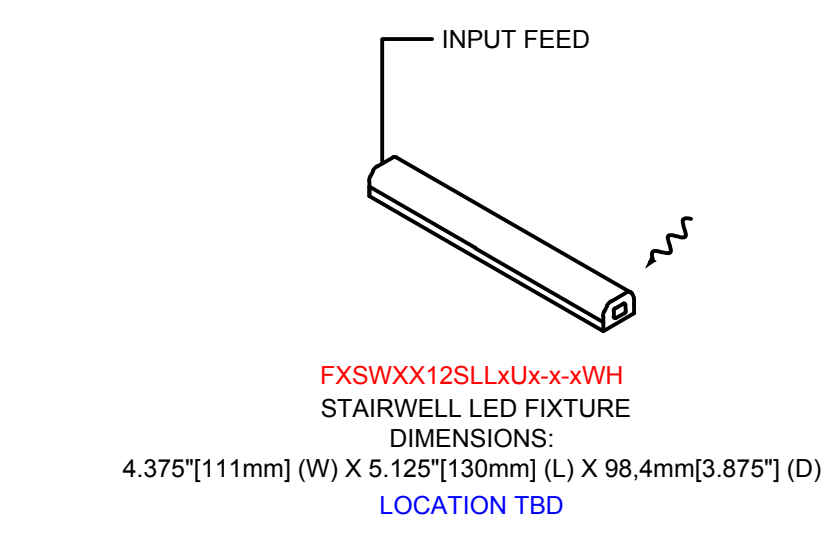


POWPAK STAIRWELL FIXTURE

FXSWXXx-x-x-x-x-SMxWH



FXSWXX12SLLxUx-x-xWH



Drawn By: XXX
Drawing Revision: 0
Drawing Date: OCTOBER 2016

