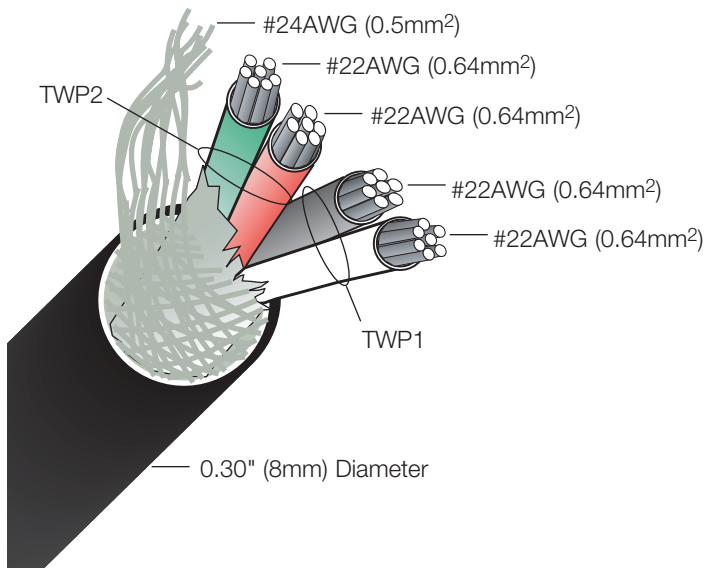


### GRX-CBL-DMX Cable



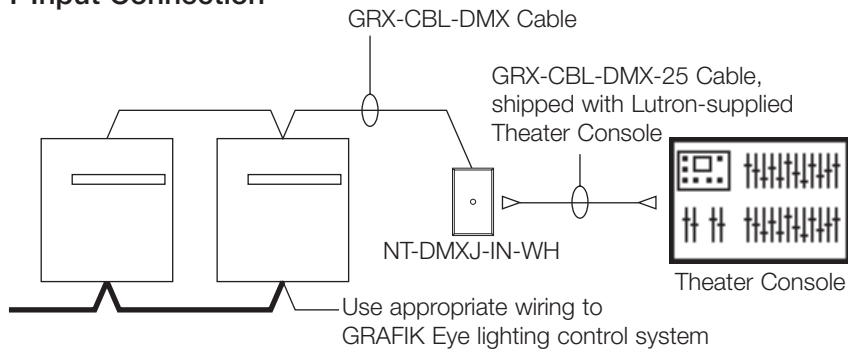
#### Description

- Shielded cable with five conductors (two twisted pair plus drain) in a single jacket.
- Use for interconnecting DMX512 devices to GRAFIK Eye 4000 and GRAFIK 5000/6000/7000 Systems.

#### Specifications

- Listed as cable type AWM.
- Available in 250 ft. (75m) or 500 ft. (150m) spools.
- Five conductors:
  - Pair 1 – Black and White – #22AWG (0.64mm²)
  - Pair 2 – Red and Green – #22AWG (0.64mm²)
  - Drain Wire – #24AWG (0.5mm²)
- Total Outer Jacket Diameter: 0.30" (8mm).
- 30V rated US; 150V rated Canada.
- PVC Sheath, 80°C rated.
- UL/CSA Listed.
- Rated FT1.
- May require a Link Terminator (LT-1) at each termination for longer DMX-size lengths.

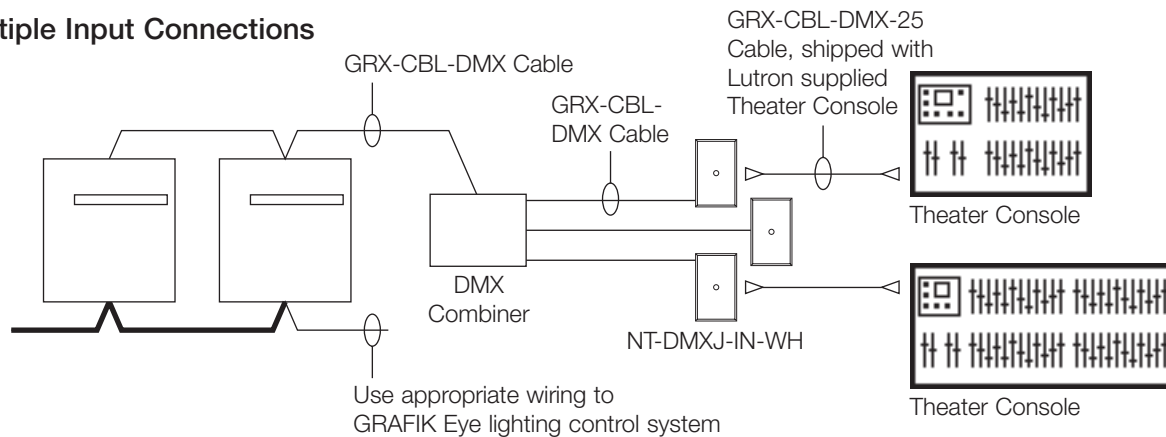
#### 1 Input Connection



#### DMX Cable Wiring

- Wire the Lighting Control System as shown in panel specification sheets.
- The DMX-512 wiring link must be less than 1000 ft. (300m).

#### Multiple Input Connections



<b>Job Name:</b>	<b>Model Numbers:</b>
<b>Job Number:</b>	