

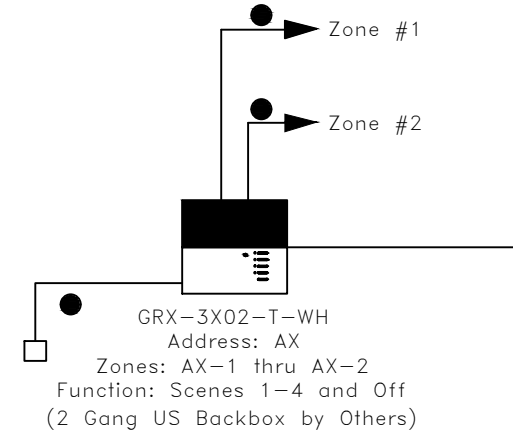
Grafik-3000.slb

3000-WIRING NOTE

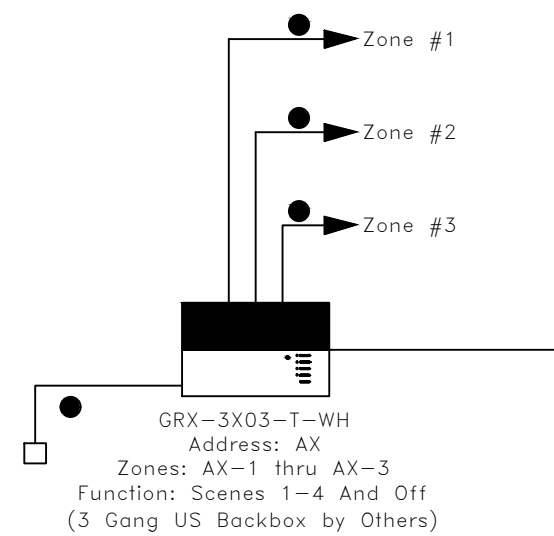
WIRING NOTES:

- 2 #12AWG (2.5 mm)
- 3 #12AWG (2.5 mm)
- 2 #12AWG (2.5 mm) and 1 Twisted Pair #18AWG
- 120V Input Power
- ▲ Grafik-Eye 3000
- Lutron cable GRX-CBL-346S (4 Conductor Non-Plenum) or GRX-PCBL-346S (4 Conductor Plenum rated). Otherwise use 2 #18AWG (1.0mm) and 1 Belden #9461.

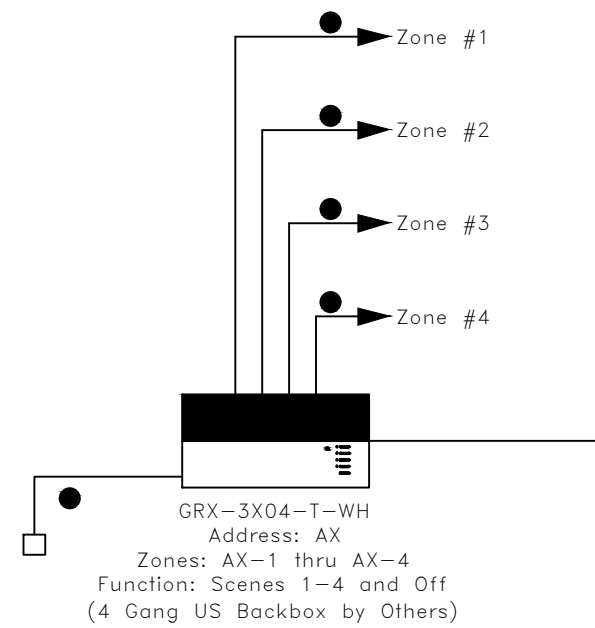
3X02-T



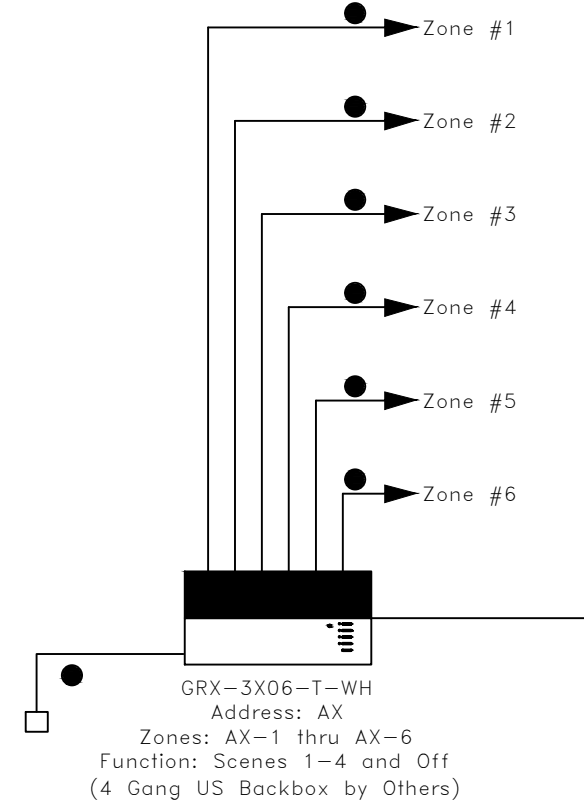
3X03-T



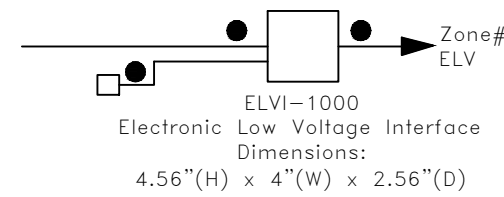
3X04-T



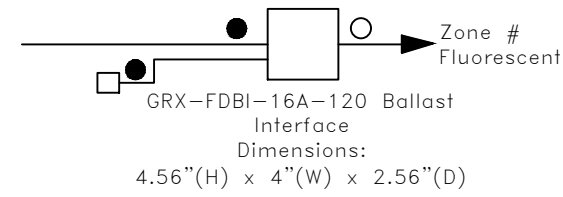
3X06-T



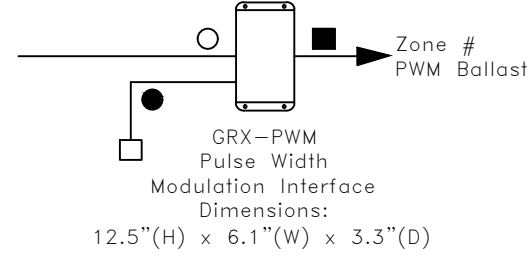
ELVI-1000



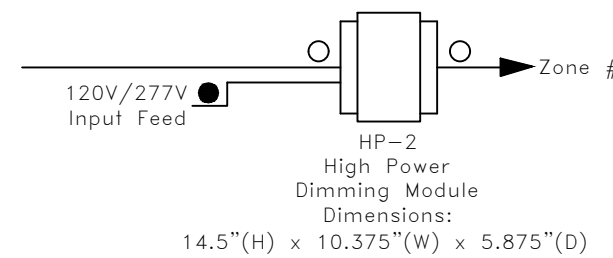
GRX-FDBI



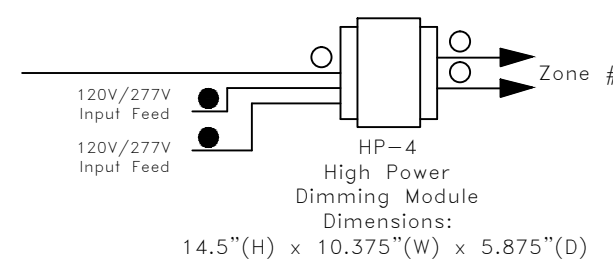
GRX-PWM



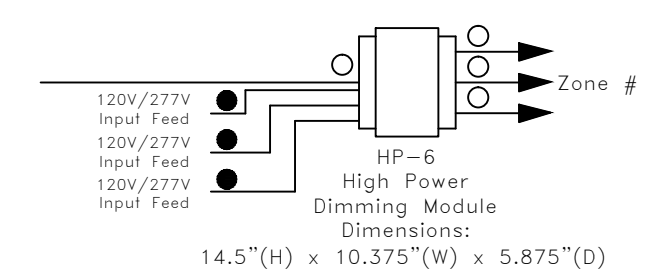
HP-2



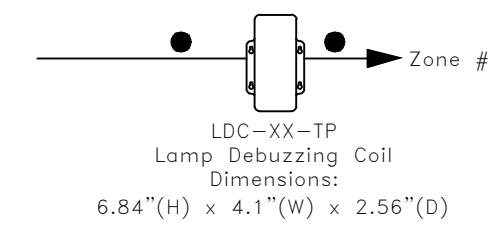
HP-4



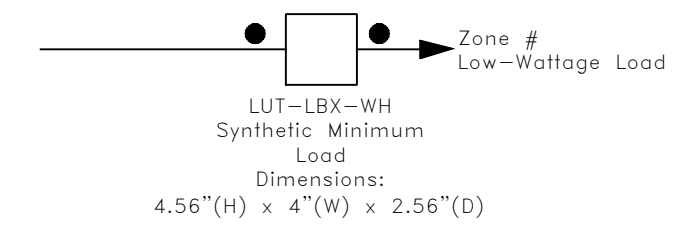
HP-6



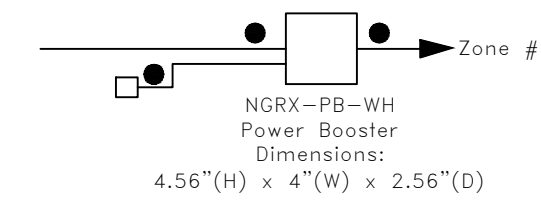
LDC-XX-TP



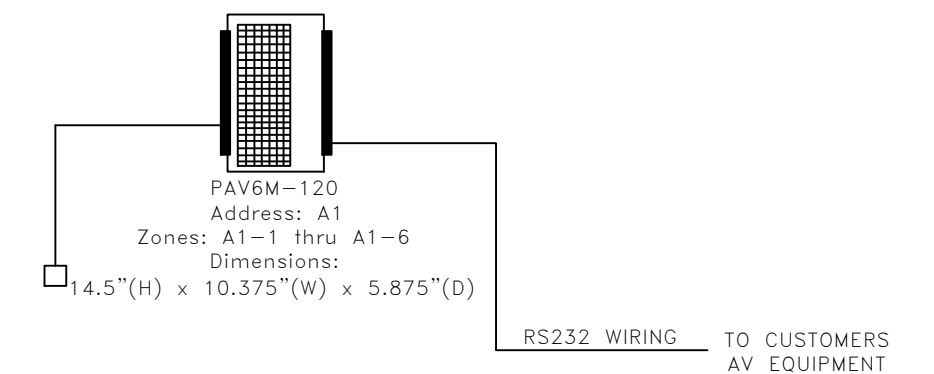
LUT-LBX



NGRX-PB



PRO AV Panel



GRX-TVI

