

EcoSystem® 2 x 4 High-Bay Dimmable Fixture

Features

- Suspension mounting - Chain Hung or Conduit Mounted
- Six lamp, 32 W, ballast factor (BF) = 1.17, T8 High-Bay 2' x 4' fixture
- Dim smoothly and continuously from 100% to 8% measured light
- 120-277 V~ Universal Voltage
- UL and CUL listed, Class P thermally protected ballast

Construction

- Housing and ends are die-formed 20 gauge cold-rolled steel with interlocking tabs and screws
- Ballast cover removes without tools
- Integral seals prevent light leaks without the need for gasketing. Hinges and spring-loaded latches allow louvers to swing down for relamping
- Knockouts provided on housing back for mounting and electrical connections.
- Custom designed enhanced aluminum reflector with 95% reflectance.
- Optional 3/4" conduit suspension mount system
- Comes with clear acrylic lens featuring 11 gauge wire guard to protect lamps from damage

Finish

- All metal parts are phosphate treated and painted after assembly to eliminate raw edges with high temperature baked white enamel with reflectivity in excess of 89%

Dimming Performance

- Ballasts – 2 EcoSystem EC5 T832 G UNV 317L (BF=1.17)
- Dimming range – 100% to 8%
- Power factor greater than .95
- Total harmonic distortion less than 20%
- Designed to withstand surge voltages of 6000 volts as specified in ANSI C62.41
- Better than Class A sound rating
- Ballast meets FCC Part 18 regulations for RFI/EMI
- No visible lamp flicker
- Ballasts strike lamps at any light level without first flashing to full light



Controls

- Lutron EcoSystem dimmable fixtures operate with Lutron EcoSystem controls and sensors.

Lamps

- Requires six 32 Watt T8 linear fluorescent lamps
- Consult lamp manufacturer for lamp seasoning requirements prior to dimming
- Lamps are not included with the fixture

Application

- Designed for commercial/industrial applications where maximum fixture efficiency is required
- 87.1% efficiency provides energy saving one-for-one alternative to HID High-Bay systems
- Available in T8 version
- Optional framed lens and/or heavy-duty wire guard
- Chain-hung or conduit-mounted

Job Name:	Model Numbers:
Job Number:	

Photometric Data

2 x 4 Foot Fixture, High Bay

Coefficients of Utilization – Zonal Cavity Method

Effective Floor Cavity Reflectance 0.20

RC	80				70				50			30			10			0
RW	70	50	30	10	70	50	30	10	50	30	10	50	30	10	50	30	10	0
0	1.04	1.04	1.04	1.04	1.01	1.01	1.01	1.01	.97	.97	.97	.93	.93	.93	.89	.89	.89	.87
1	.95	.91	.87	.84	.93	.89	.86	.83	.85	.82	.80	.82	.80	.78	.79	.77	.75	.73
2	.87	.80	.74	.69	.84	.78	.73	.68	.75	.71	.67	.72	.68	.65	.70	.66	.64	.62
3	.79	.70	.64	.58	.77	.69	.63	.58	.67	.61	.57	.64	.59	.56	.62	.58	.55	.53
4	.73	.63	.55	.50	.71	.62	.55	.49	.60	.54	.49	.58	.52	.48	.56	.51	.47	.46
5	.67	.57	.49	.43	.66	.56	.48	.43	.54	.47	.43	.52	.47	.42	.50	.46	.42	.40
6	.62	.51	.44	.38	.61	.50	.43	.38	.49	.43	.38	.47	.42	.37	.46	.41	.37	.35
7	.58	.47	.39	.34	.57	.46	.39	.34	.45	.38	.34	.43	.38	.34	.42	.37	.33	.32
8	.54	.43	.36	.31	.53	.42	.35	.31	.41	.35	.30	.40	.34	.30	.39	.34	.30	.28
9	.51	.40	.33	.28	.50	.39	.32	.28	.38	.32	.28	.37	.32	.28	.36	.31	.27	.26
10	.48	.37	.30	.25	.47	.36	.30	.25	.35	.29	.25	.35	.29	.25	.34	.29	.25	.24

Total Luminaire Efficiency: 87.1%

Lamps: F32T8 rated at 2900 lumens each

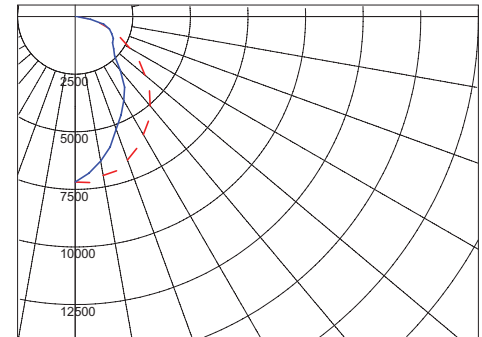
Candlepower Distribution

Angle	0°	45°	90°
0	11329	11329	11329
45	9253	5663	4504
55	8194	4176	4236
65	6651	3710	4565
75	4847	3612	4485
85	1712	996	726

Zonal Lumen Summary

Zone	Lumens	%Lamp	%Fixture
0-30	5681	27.9	32.1
0-40	8854	43.5	50.0
0-60	14214	69.8	80.2
0-90	17724	87.1	100.0
0-180	17724	87.1	100.0

Candella Plot



Quadrilaterally Symmetric

Dashed: 0 degrees

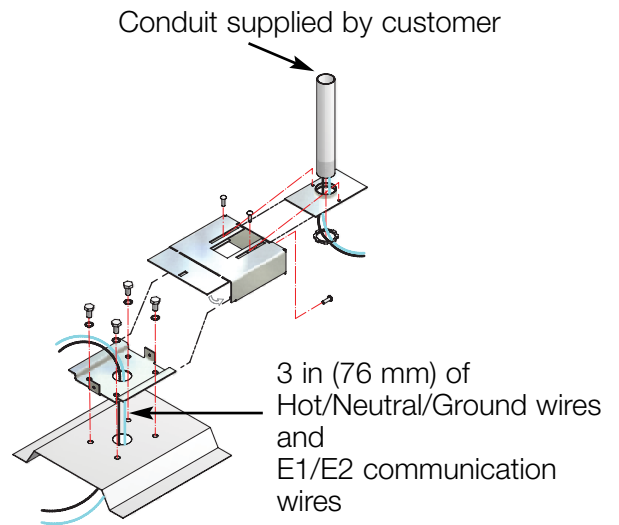
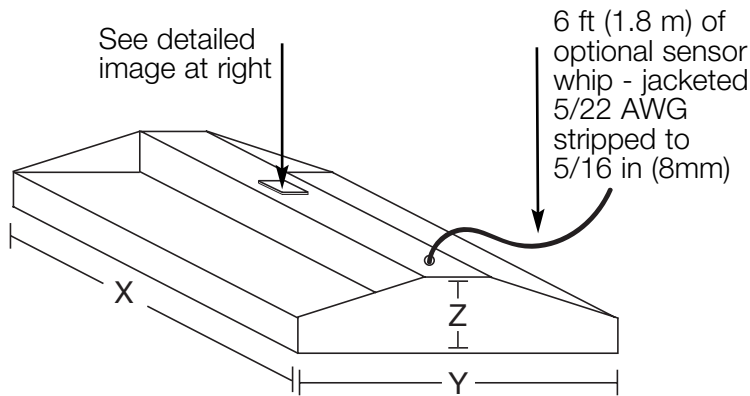
Solid: 90 degrees

Job Name:

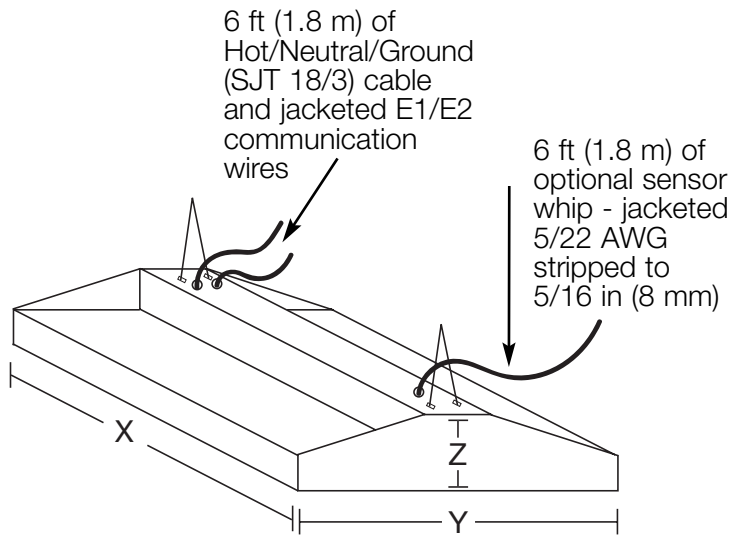
Model Numbers:

Job Number:

Conduit Mount (CT)



Chain Hung (CH)



Supplied V-hooks shown



8 ft (2.4 m) Maximum Hanging Length

Included Hardware:

- Items shown above
- 250 in (6350 mm) of cable
- V-hooks included but not shown

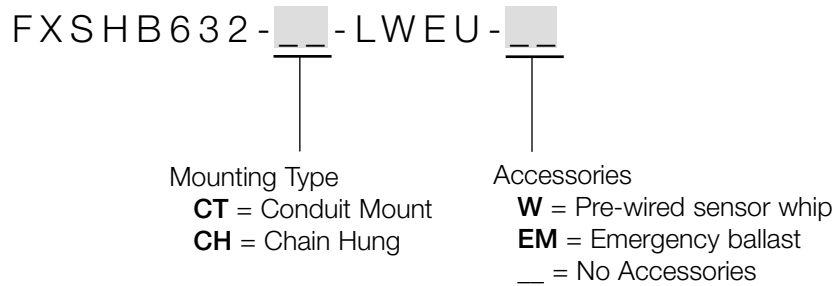
Dimensions:

- X = 48 inches (1219 mm)
- Y = 23.75 inches (603 mm)
- Z = 4.75 inches (120 mm)

Job Name:	Model Numbers:
Job Number:	

How to build a model number:

Example:



Models	Ballast	Voltage	Total Rated Current	Total Input Power
FXSHB632C(T/H)LWEU (W)* (EM)**	(2) EC5 T832 G UNV 317L	120 V~	1.90 A	232 W
		277 V~	0.82 A	226 W

*Add W suffix for pre-wired sensor whip

**Add EM suffix for emergency ballast

Job Name:	Model Numbers:
Job Number:	