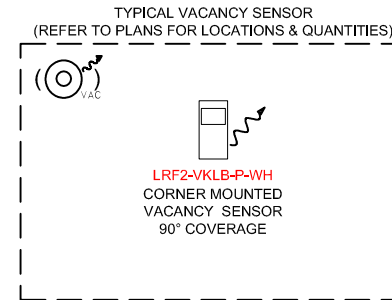
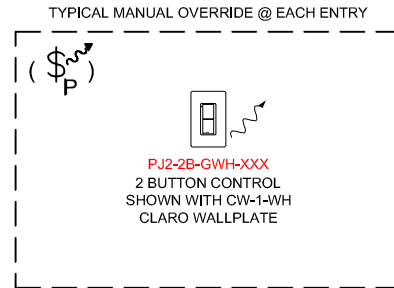
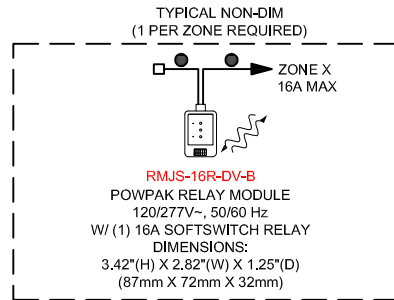


# TYPICAL CONFERENCE ROOM - SWITCHING

IECC 2012



## SEQUENCE OF OPERATIONS:

### OCCUPANT ENTERS:

- LIGHTS DO NOT AUTOMATICALLY TURN ON WHEN AN OCCUPANT ENTERS THE SPACE; LIGHTS MUST BE TURNED ON MANUALLY.

### WHEN OCCUPIED:

- MANUAL: OCCUPANT USES WALL SWITCH TO TURN ALL LIGHTS OFF.

### OCCUPANT EXITS:

- ALL LIGHTS AUTOMATICALLY TURN OFF 15 MINUTES AFTER ALL OCCUPANTS EXIT.

## WIRING LEGEND:

- INPUT POWER (NORMAL)
- 2 #12AWG (4 mm<sup>2</sup>)
- 1-WAY RF COMMUNICATION
- 2-WAY RF COMMUNICATION

## SYMBOL LEGEND:

- WIRELESS VACANCY SENSOR
- WIRELESS KEYPAD

## SPEC:

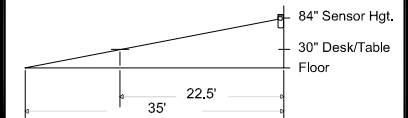
### WIRELESS NETWORK:

- A. RF FREQUENCY: 434 MHZ; OPERATE IN FCC GOVERNED FREQUENCY SPECTRUM FOR PERIODIC OPERATION; CONTINUOUS TRANSMISSION SPECTRUM IS NOT PERMITTED.
  1. WIRELESS SENSORS, WIRELESS KEYPADS AND WIRELESS LOAD CONTROL DEVICES DO NOT OPERATE IN THE NOISY 2.4 GHZ FREQUENCY BAND WHERE HIGH POTENTIAL FOR RF INTERFERENCE EXISTS.
  2. LOCAL ROOM DEVICES COMMUNICATE DIRECTLY WITH EACH OTHER (AND NOT THROUGH A CENTRAL HUB OR PROCESSOR) TO ENSURE:
    1. RELIABILITY OF SYSTEM PERFORMANCE.
    2. FAST RESPONSE TIME TO EVENTS IN THE SPACE (E.G. BUTTON PRESSES OR SENSOR SIGNALS).
    3. INDEPENDENT OPERATION IN THE EVENT OF THE WIRELESS HUB BEING REMOVED OR DAMAGED.

### WIRELESS KEYPADS

- A. DOES NOT REQUIRE EXTERNAL POWER PACKS, POWER OR COMMUNICATION WIRING.
- B. ALLOWS FOR EASY REPROGRAMMING WITHOUT REPLACING UNIT.
- C. INCLUDES LED TO INDICATE BUTTON PRESS OR PROGRAMMING MODE STATUS.
- D. MOUNTING:
  1. CAPABLE OF BEING MOUNTED WITH A TABLE STAND OR DIRECTLY TO A WALL UNDER A FACEPLATE, BACKBOX OPTIONAL.
- E. 10 YEAR BATTERY LIFE

Occupancy/Vacancy Sensor  
Minor Motion Coverage



SENSOR COVERAGE - N.T.S.  
TYPICAL OFFICE FURNITURE HEIGHTS

## VIVE STANDALONE CONFERENCE ROOM

### LOCATION TBD

### CONCEPT DRAWING NOT FOR CONSTRUCTION

Project Number: N/A

Drawn By: RT

Drawing Revision: 6

Drawing Date:

Sheet: 1 OF 1



Lutron Electronics Co., Inc.  
7200 Suter Road | Coopersburg, PA 18038 | USA  
(610) 282-3800 | fax: (610) 282-1146