

# Ivalo Finiré 4" LED Recessed Lighting

## Installation Instructions

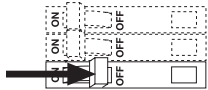
**IMPORTANT INFORMATION**  
Please Read Before Installing

367-2202h 1 05.31.16

### Important Notes

- IC fixtures must be used for installations containing insulating materials and must be mounted away from heat producing elements (e.g., HVAC ducts, hot water pipes, radiant heat floors, ovens). Non-IC fixtures cannot be used in these types of applications.
- Non-IC fixtures are intended for free air applications. Do not confine non-IC fixtures with insulation or building materials.
- Leads in junction box are ready for connection.
- Contractor is responsible for power connection.
- The mud ring shipped with trimless fixtures must be installed to ensure desirable ceiling aesthetic.
- Thermal protection device standard on non-IC housing fixtures (voltage specific device: 120 V~ or 277 V~).
- 14 W and 17 W IC fixtures are 11.1 in (282 mm) long.  
18 W and 20 W IC fixtures are 17.3 in (439 mm) long.  
17 W, 18 W and 20 W Non-IC Fixtures are 11.1 in (282 mm) long.  
See **Dimensions**.
- Mounting brackets can be installed on either side of the fixture.
- Prior to fixture installation, remove cable tie securing light module to the fixture housing.

### Fixture Installation



1. Turn off power.

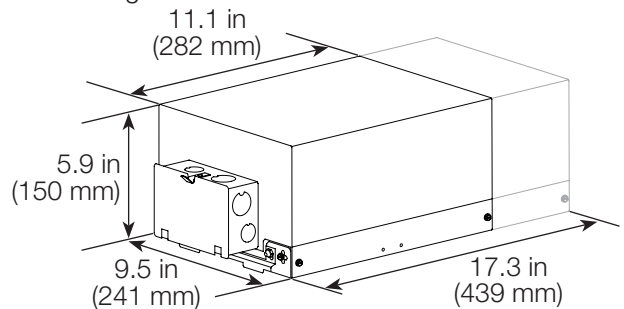


**WARNING: Shock Hazard.** Serious injury or death may occur. Turn off power before servicing or installing. Wire according to local and national codes. This product should be installed by a qualified electrician.

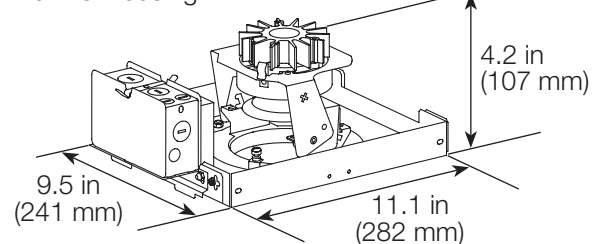
2. Install fixture using the mounting bar based on mounting method (**Figure 1**). Mounting brackets can be installed on either side of the fixture.
  - a. Insert mounting bar into mounting bar clamp.
  - b. Use mounting bar to secure to structure (notch allows for T-bar installation). Secure wires to mounting bar (if required).
  - c. Hammer barb into stud. Secure with mounting screws provided by others.
3. To adjust mounting bar position (**Figure 1 & 2**):
  - a. Loosen both mounting bar clamp set screws
  - b. Adjust mounting bar to desired position
  - c. Tighten mounting bar clamp set screws
4. Make power connections. See **Circuit Diagrams for Dimming**.
5. Cut out drywall to fit fixture aperture.
  - a. Round diameter: 4.7 in (119 mm)
  - b. Square dimensions: 4.8 in x 4.8 in (122 mm x 122 mm)
6. For adjustable fixtures, aim fixture at desired location (**Figure 2**).
  - a. Loosen rotation-locking thumb screws.
  - b. Aim fixture by rotating the module support bracket to the desired position.
  - c. Tighten thumb screws.

### Dimensions

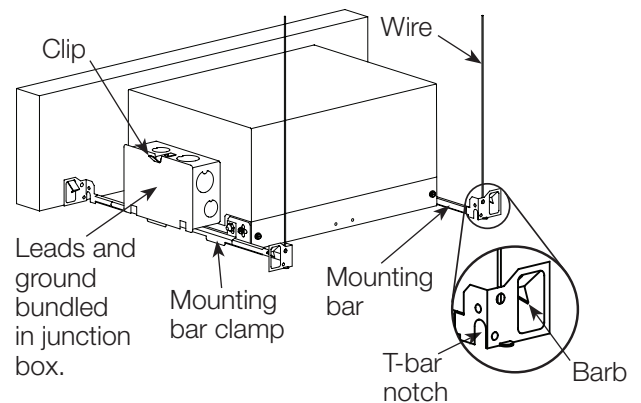
#### IC Housing



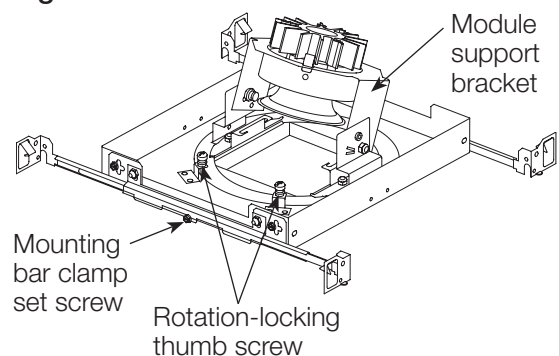
#### Non-IC Housing



**Figure 1**



**Figure 2**



**Note:** Enclosure and driver removed for visual clarity.

# Ivalo Finiré 4" LED Recessed Lighting

## Installation Instructions

367-2202h 2 05.31.16

### Fixture Installation *(continued)*

7. For adjustable fixtures, adjust the tilt of the lamp module (**Figure 3**).

- Loosen tilt-adjust locking thumb screws.
- Adjust aim of fixture by moving the module support bracket along the track to one of the three stopping positions.
- Tilt module support bracket to the desired angle.
- Tighten thumb screws.

8. Install mud ring (Trimless only) (**Figure 4**).

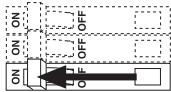
**Note:** Trimless fixtures come with a screw hole template to assist with mounting the mud ring.

- Insert 4 screws (provided by others) into holes in mud ring and screw into fixture. Screw length depends on ceiling thickness.
- Use screws to level.
- Ensure screws secure mud ring flush to drywall.
- Apply plaster up to rim of mud ring.
- Smooth plaster to blend with ceiling.

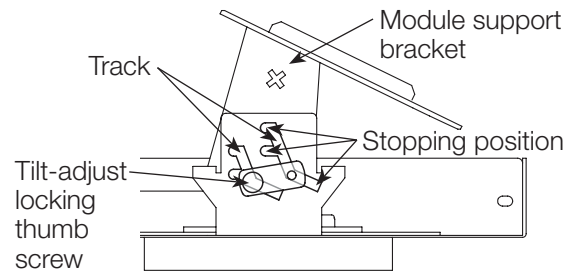
9. Install trim (**Figure 5**).

- Trimmed (round and square) and trimless (round):
  - Compress torsion springs at sides of trim
  - Slide into trim brackets
  - Allow springs to expand, drawing trim up into fixture
- Trimless (square):
  - Push trim into opening until clips engage on sides

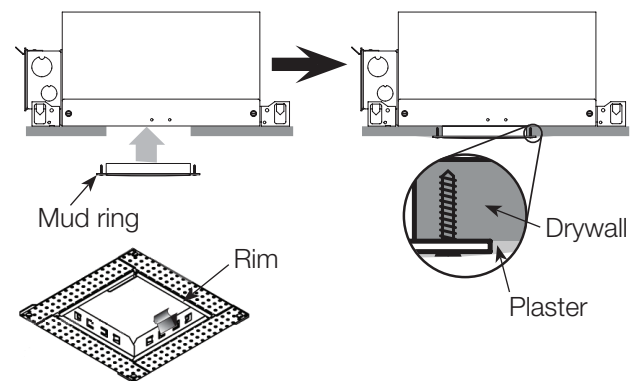
10. Restore Power.



**Figure 3**

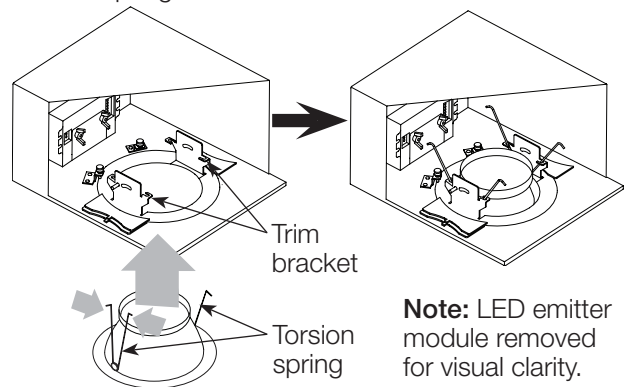


**Figure 4**

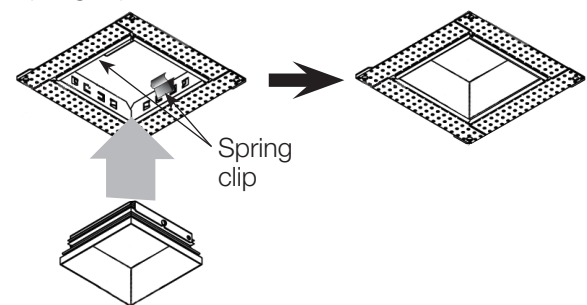


**Figure 5**

Torsion spring based trim



Spring clip based trim



# Ivalo Finiré 4" LED Recessed Lighting

## Installation Instructions

367-2202h 3 05.31.16

### Field Replace Components (optional)



**WARNING: Risk of Fire or Electric Shock.** LED retrofit kit installation requires knowledge of luminaire electrical systems. If not qualified, do not attempt installation. Contact a qualified electrician.

**NOTICE: Property Damage.** To prevent damage or abrasions, do not expose wiring to edges of sheet metal or other sharp objects.

**Note:** Do not make or alter any open holes in an enclosure of wiring or electrical components during kit installation.

#### 1. Changing Trim with Spring Clips (Figure 6).

**Note:** This includes trimless (square) fixtures.

- Insert a screwdriver between the rim of the trim and the aperture opening.
- Rotate the screwdriver to expose the lip of the trim.
- Pull the trim down and remove from the fixture.

#### 2. Changing Trim with Torsion Springs (Figure 7).

**Note:** This includes trimmed (round and square) and trimless (round) fixtures.

- Holding the edge of the trim, pull it down until the torsion springs engage.
- Compress torsion springs and remove trim from the fixture.

#### 3. Field Replace Reflector (Figure 8).

- Remove the trim. Refer to step 1 and 2 above.
- Hold reflector by edges. Twist counter-clockwise to unlock from the light module.
- Carefully remove reflector.
- Install new reflector. Twist clockwise to lock into light module.

#### 4. Field Replace Light Module (Figure 9).

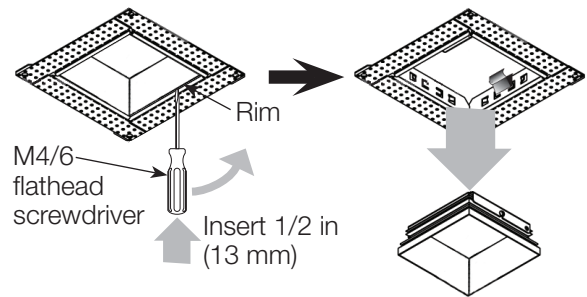
- Follow steps 1 and 2 to remove the trim and reflector.
- Squeeze both light module clips and pull light module out of the module support bracket.
- Disconnect module from connector.
- Connect new module to connector.
- Secure new module into module support bracket. Make sure all wiring is clear from the support bracket, light module, and reflector.

#### 5. Field Replace Driver.

**Note:** Refer to driver replacement guide.

- Follow steps 1, 2, and 3 to remove the trim, reflector, and light module.
- Loosen the wing nuts on the driver support bracket (2 or 3 turns).
- Remove the driver from the support bracket and pull out of the aperture (Figure 10). Disconnect the wires from the existing driver.
- Transfer the wing nuts to the studs on the new driver and connect the wires to the new driver.
- Insert new driver into aperture and install into the support bracket.
- Tighten wing nuts.

Figure 6



**Note:** Do not scratch the visible section of the trim.

Figure 7

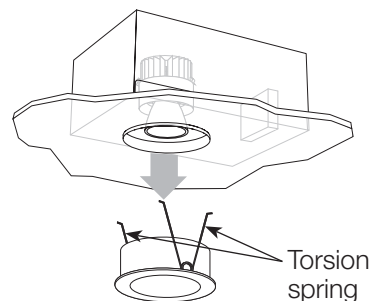


Figure 8

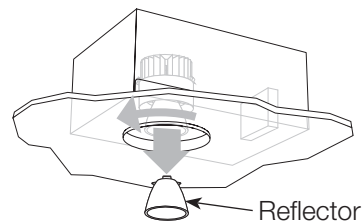


Figure 9

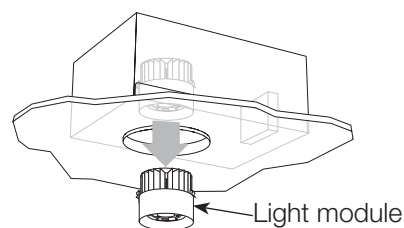
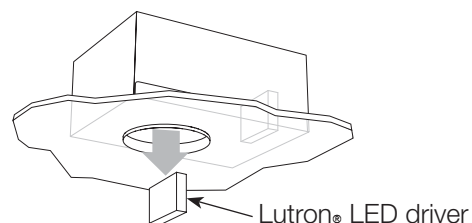


Figure 10



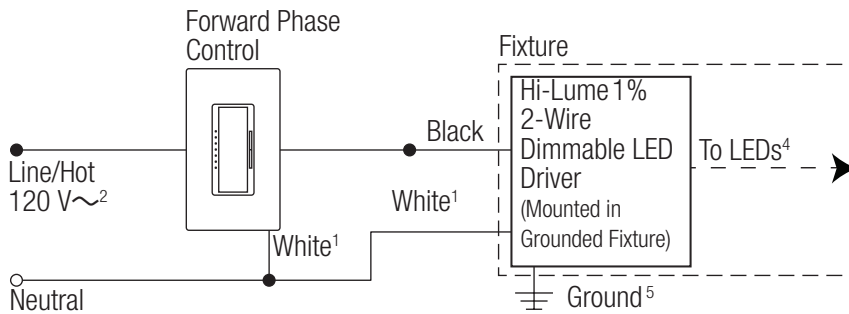
# Ivalo Finiré 4" LED Recessed Lighting

## Installation Instructions

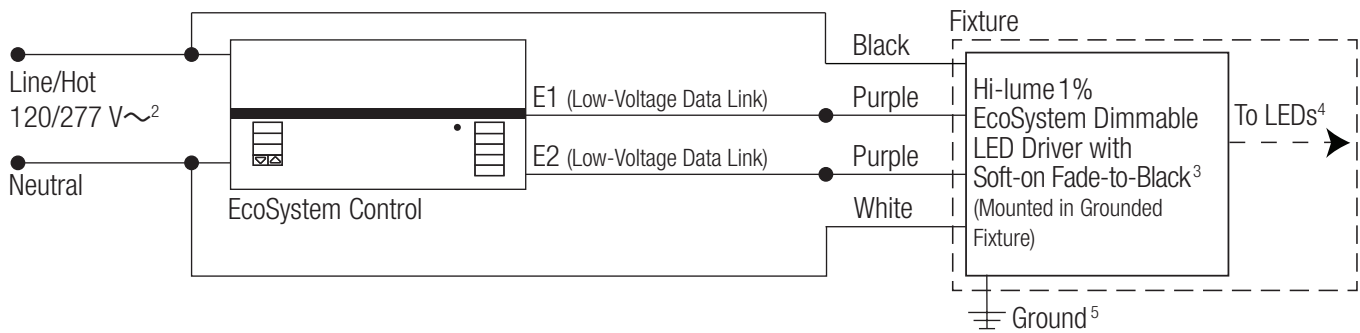
367-2202h 4 05.31.16

### Circuit Diagrams for Dimming

#### 2-Wire Forward Phase Control with Neutral (120 V~ only)



#### EcoSystem Digital Control (120/277 V~)



<sup>1</sup> Neutral may be optional for certain control types. See control specification submittal for specific wiring diagrams.

<sup>2</sup> Refer to the specific Lutron control specifications for exact input voltage rating of the product.

<sup>3</sup> 40 W maximum rated drivers.

<sup>4</sup> LED connectors are specific to LED/module type. Follow product guidelines on housing label for compatibility.

<sup>5</sup> Ensure that both ground wires are connected in the junction box.

- Contact Fixture Customer Service for custom mounting options at [fixtures@lutron.com](mailto:fixtures@lutron.com)
- For a list of compatible controls and control ratings, visit [www.lutron.com/finire](http://www.lutron.com/finire) or contact the LED Control Center of Excellence at 1.877.DIM.LED8 or [leds@lutron.com](mailto:leds@lutron.com)

# Ivalo Finiré 4” LED Recessed Lighting

## Installation Instructions

367-2202h 5 04.16.19

### FCC Statements

#### LED Type “35” with EcoSystem Driver Options – Class A

- NOTE: This equipment has been tested and found to comply with the limits for a Class A digital device, pursuant to part 15 of the FCC Rules. These limits are designed to provide reasonable protection against harmful interference when the equipment is operated in a commercial environment. This equipment generates, uses, and can radiate radio frequency energy and, if not installed and used in accordance with the instruction manual, may cause harmful interference to radio communications. Operation of this equipment in a residential area is likely to cause harmful interference in which case the user will be required to correct the interference at his own expense.
- CAN ICES-005 (A) / NMB-005 (A)

#### All Other Models – Class B

This device complies with part 15 of the FCC Rules. Operation is subject to the following two conditions:

(1) This device may not cause interference, and

(2) This device must accept any interference, including interference that may cause undesired operation. Modifications not expressly approved by Lutron Electronics Co., Inc. could void the user’s authority to operate this equipment.

NOTE: This equipment has been tested and found to comply with the limits for a Class B digital device, pursuant to part 15 of the FCC Rules. These limits are designed to provide reasonable protection against harmful interference in a residential installation. This equipment generates, uses and can radiate radio frequency energy and, if not installed and used in accordance with the instructions, may cause harmful interference to radio communications. However, there is no guarantee that interference will not occur in a particular installation. If this equipment does cause harmful interference to radio or television reception, which can be determined by turning the equipment off and on, the user is encouraged to try to correct the interference by one or more of the following measures:

- Reorient or relocate the receiving antenna
- Increase the separation between the equipment and receiver
- Connect the equipment into an outlet on a circuit different from that to which the receiver is connected
- Consult the dealer or an experienced radio/TV technician for help

CAN ICES-005 (B) / NMB-005 (B)



Lutron, Lutron, EcoSystem, IVALO, IVALO Lighting (registered in the U.S. only), Hi-lume, Finiré Lutron Ivalo Collection, and Soft-on Fade-to-Black are trademarks or registered trademarks of Lutron Electronics Co., Inc. in the US and/or other countries.

©2012-2019 Lutron Electronics Co., Inc.



Lutron Electronics Co., Inc.  
7200 Suter Road, Coopersburg, PA 18036  
Telephone 610.282.7472 Fax 610.282.7600  
fixtures@lutron.com

For limited 10-year warranty details, see  
[www.lutron.com/TechnicalDocumentLibrary/3683454.pdf](http://www.lutron.com/TechnicalDocumentLibrary/3683454.pdf)