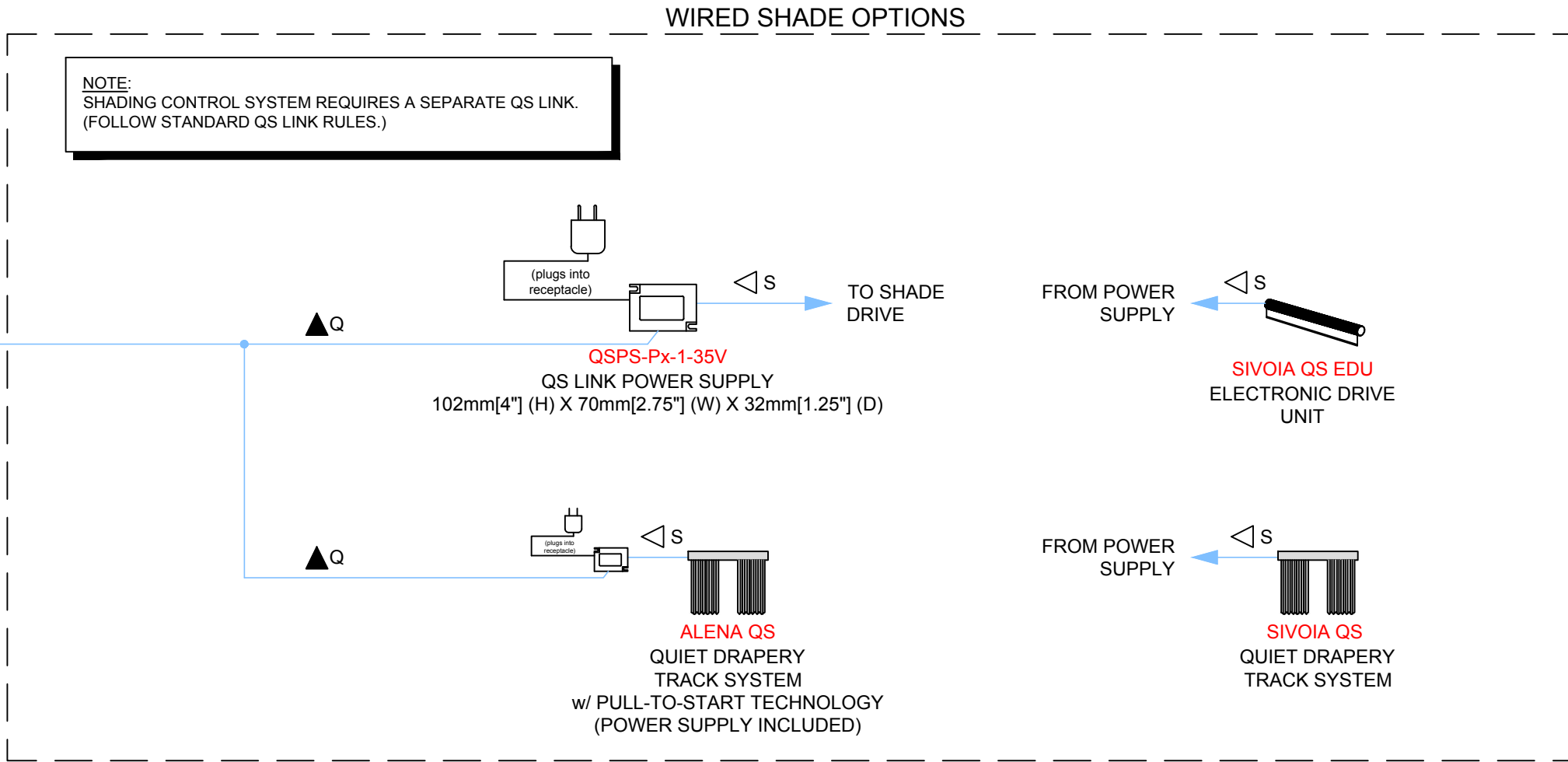
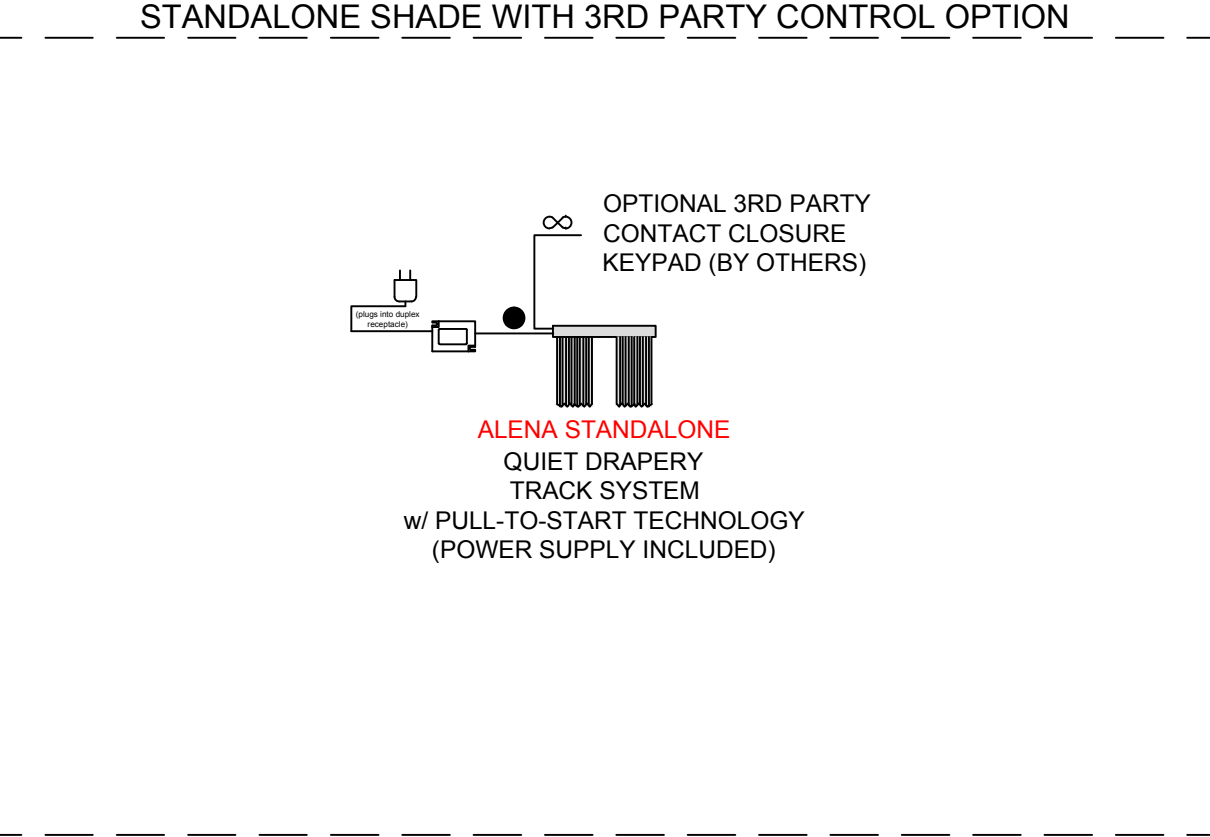
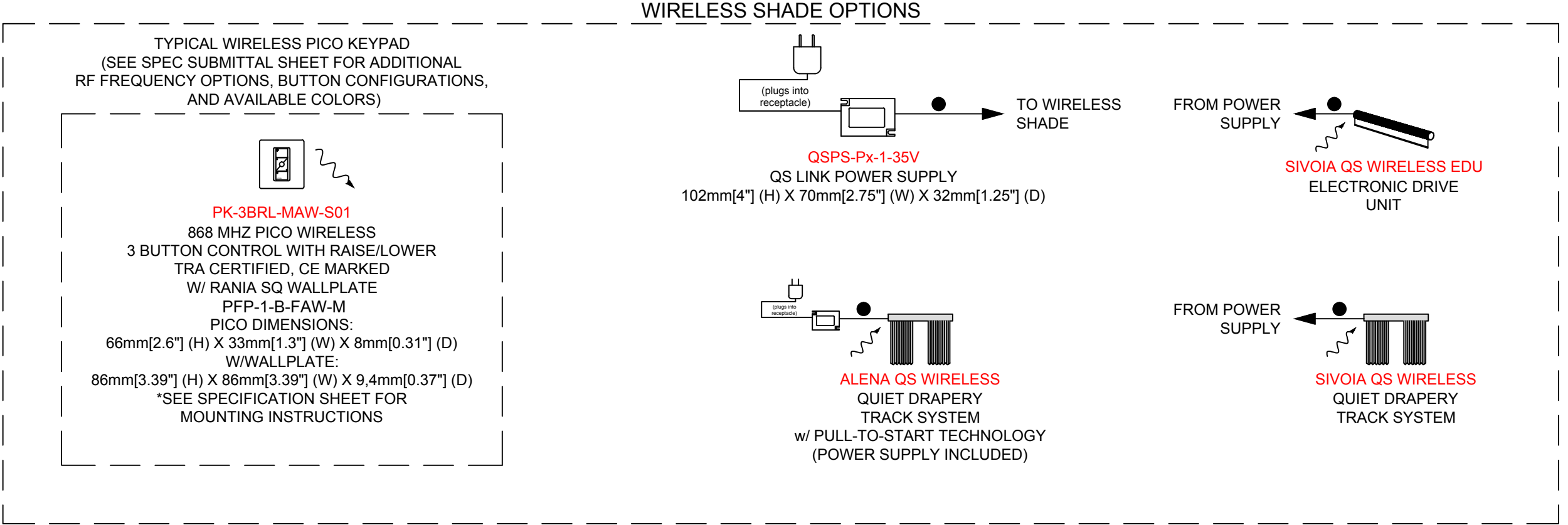


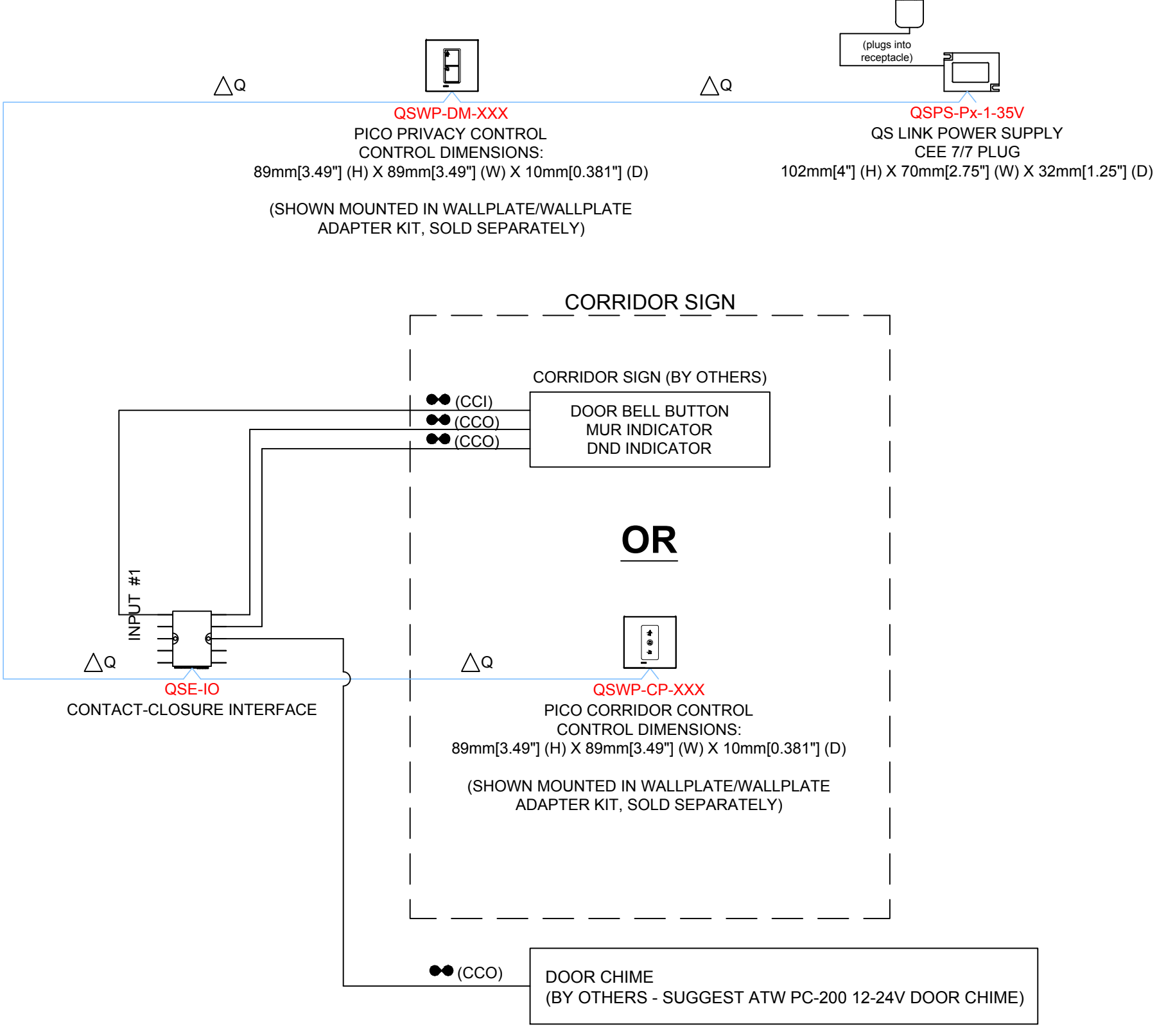
LIGHTING CONTROL OPTIONS



SHADE POWER SUPPLY NOTE: DEPENDING ON VOLTAGE AND RECEPTACLE REQUIREMENTS, A DIFFERENT POWER SUPPLY MODEL NUMBER MAY BE REQUIRED. (SEE SPEC SUBMITTAL SHEET FOR AVAILABLE OPTIONS)



SHADE CONTROL OPTIONS



OPTIONAL STANDALONE DND/MUR CONTROL

WIRING LEGEND:

△ QS CONTROL LINK (SEE WIRE DESCRIPTION BELOW)

▲ QS CONTROL LINK (SEE WIRE DESCRIPTION BELOW) (CONNECT WIRES 1, 3 AND 4. DO NOT CONNECT WIRE # 2)

QS WIRING AS REQUIRED BY CONTROL LINK LENGTH (REFER TO QS SMART PANEL POWER SUPPLY WIRING GUIDE FOR SHADE WIRING NOTES):

TOTAL CONTROL LINK LENGTH	WIRE GAUGE	AVAILABLE FROM LUTRON IN ONE CABLE:
LESS THAN 500ft (153 m)	POWER (TERMINALS 1&2): 1 PAIR 18 AWG (1.0 mm²) DATA (TERMINALS 3&4): 1 PAIR 22 AWG (0.5 mm²), TWISTED AND SHIELDED*	GRX-CBL-3465 OR GRX-PCBL-3465
500ft (153 m) TO 2,000ft (600 m)**	POWER (TERMINALS 1&2): 1 PAIR 12 AWG (4 mm²) DATA (TERMINALS 3&4): 1 PAIR 22 AWG (0.5 mm²), TWISTED AND SHIELDED*	GRX-CBL-46L OR GRX-PCBL-46L

*ALTERNATE DATA-ONLY CABLE: USE APPROVED DATA LINK CABLE (22 AWG [0.5 mm²] TWISTED/SHIELDED) FROM BELDEN (MODEL # 9451).

**TOTAL LENGTH OF THE QS LINK MUST NOT EXCEED 2,000 ft (600 m).

QS INDIVIDUAL POWER SUPPLY (QSPS-PX-1-50 OR QSPS-J-1-50) SHADE WIRING GUIDE

MAXIMUM DEVICES PER ONE OUTPUT	MAXIMUM DISTANCE PER ONE OUTPUT BASED ON WIRE GAUGE
SHADES + CONTROLS	12 AWG (4 mm²): QSH-CBL-L-500 16 AWG (1.5 mm²): QSH-CBL-M-500 18 AWG (1.0 mm²): QSH-CBL-PK-500
1 SIVOIA QS SHADE OR DRAPERY	UP TO 1 POWER DRAW UNIT
	250 ft (75 m)
	100 ft (30 m)
	50 ft (15 m)

- INPUT POWER (NORMAL-EMERGENCY)
- INPUT POWER (NORMAL)
- 2 #12AWG (4 mm²)
- 3 #12AWG (4 mm²)
- ◆ 0-10V SIGNAL: 2 #18AWG (1.0 mm²)
- 1-WAY RF COMMUNICATION
- 2-WAY RF COMMUNICATION
- 2 #18AWG (1.0 mm²)
- 3 #18AWG (1.0 mm²)

- WIRING NOTES:**
- MYROOM PRIME QS LINK RULES**
- THE FOLLOWING LINK RULES MUST BE OBSERVED FOR PROPER OPERATION:
- 1 QS LINK MAXIMUM
 - 50 QS DEVICES PER QS LINK
 - 50 SWITCH-LESS PER LINK. SWITCH LEGS ARE THE SMALLEST CONTROLLABLE OUTPUTS AND INCLUDE:
 - ◆ DIMMED OR SWITCHED CIRCUITS
 - ◆ CONTACT CLOSURE OUTPUTS
 - 15 OCCUPANCY SENSORS, 50 WALL CONTROLS (PICOB, QS KEYPAD, IR, ETC) PER QS LINK
 - QS LINK IS TOPOLOGY FREE (CAN BE DAISY-CHAINED, T-TAPPED, STARRED, ETC.)
 - MAXIMUM LINK RUN OF 2000 FT (610 M), USING 12 AWG (4.0 MM²) WIRES FOR POWER PAIR

CONCEPT DRAWING NOTES: CONTROL SYSTEM DRAWING IS PROVIDED FOR CONCEPTUAL PURPOSES ONLY AND IS NOT INTENDED FOR CONSTRUCTION. EXACT EQUIPMENT REQUIREMENTS, INCLUDING LOCATIONS AND QUANTITIES, SHOULD BE VERIFIED IN ACCORDANCE WITH THE MOST UP-TO-DATE LIGHTING/ELECTRICAL REFLECTED CEILING PLANS, LIGHTING FIXTURE SCHEDULES, PANEL SCHEDULES, CONTROL INTENT AND SPECIFICATIONS. SHADE EQUIPMENT SHOULD BE VERIFIED IN ACCORDANCE WITH ARCHITECTURAL PLANS, SPECIFICATIONS, AND WINDOW SCHEDULES/DETAILS.

LED DIMMING REQUIRES AN EXACT MATCH BETWEEN THE LED ARRAY DRIVER AND CONTROL. LUTRON CANNOT GUARANTEE COMPATIBILITY OR PERFORMANCE WITHOUT TESTING THIS COMBINATION.

TO CONFIRM WHAT PRODUCTS LUTRON HAS AVAILABLE OR WHAT INTERFACES MAY BE REQUIRED, CALL 1-877-DIM-LED8 OR CHECK LUTRON'S PRODUCT COMPATIBILITY MATRIX ON-LINE AT WWW.LUTRON.COM/LED.

TO REQUEST THE TESTING OF AN LED PRODUCT BY LUTRON MANUFACTURERS CAN FILL OUT AN LED EVALUATION REQUEST FORM ON-LINE AT WWW.LUTRON.COM/LED OR CONTACT LUTRON@LUTRON.COM

LUTRON CAN GUARANTEE COMPATIBILITY AND PERFORMANCE OF LUTRON HI-LUME A SERIES LED DRIVERS USED WITH APPROPRIATE LUTRON CONTROLS. THE HI-LUME A-SERIES LED DRIVER CAN BE USED ON PRODUCTS UNDER 40 WATTS WITH SUITABLE MOUNTING LOCATIONS. PLEASE REFER TO THE SPECIFICATION SUBMITTAL SHEET FOR FURTHER INFORMATION.

IF USING UNTESTED, NON-LUTRON LED DRIVERS REQUIRING 0-10V CONTROL, PERFORMANCE AND COMPATIBILITY CANNOT BE GUARANTEED BY LUTRON. PRODUCTS FOLLOWING THE IEC STANDARD 60929 ARE MORE LIKELY TO PROVIDE ACCEPTABLE PERFORMANCE RESULTS. DETERMINATION OF RESULT ACCEPTABILITY IS UP TO THE USER'S DISCRETION.

IF USING UNTESTED, NON-LUTRON LED DRIVERS REQUIRING PHASE CONTROL, PERFORMANCE AND COMPATIBILITY CANNOT BE GUARANTEED BY LUTRON. A-SERIES OR ELV PRODUCTS PROVIDING HIGH END AND LOW END TRIM ADJUSTMENTS ARE MORE LIKELY TO PROVIDE ACCEPTABLE PERFORMANCE RESULTS. DETERMINATION OF RESULT ACCEPTABILITY IS UP TO THE USER'S DISCRETION.

LUTRON NOTES:

ALL DIMMING BALLASTS TO BE LUTRON ECOSYSTEM ECOSYSTEM H-SERIES, OR HI-LUME 30 TYPE

ALL DIMMING DRIVERS TO BE LUTRON ECOSYSTEM DRIVER: A-SERIES, H-SERIES, OR S-SERIES OTHERWISE NOTED

E.E. TO CONFIRM ALL CREDITING REQUIREMENTS

ARCHITECT TO VERIFY QUANTITY, LOCATION & FINISH OF ALL CONTROLS.

ALL FACILITIES DIMMERS, SWITCHES, RECEPTACLES & CABLEPHONE JACKS TO BE LUTRON NOVA-T

LUTRON FIELD SERVICE COMMISSIONING INCLUDED IN ALL SYSTEMS. INITIATES AN 2 YEAR LIMITED WARRANTY. THE ELECTRICAL CONTRACTOR MUST CONTACT LUTRON (1-866-588-7861) TO SET UP VISIT WITH 16 DAYS NOTICE.

International myRoom Prime Typical Online

LOCATION

CONCEPT DRAWING NOT FOR CONSTRUCTION

Project Number:	#####
Drawn By:	XXX
Drawing Revision:	#
Drawing Date:	XX.XX.17
Sheet:	1 OF 1

