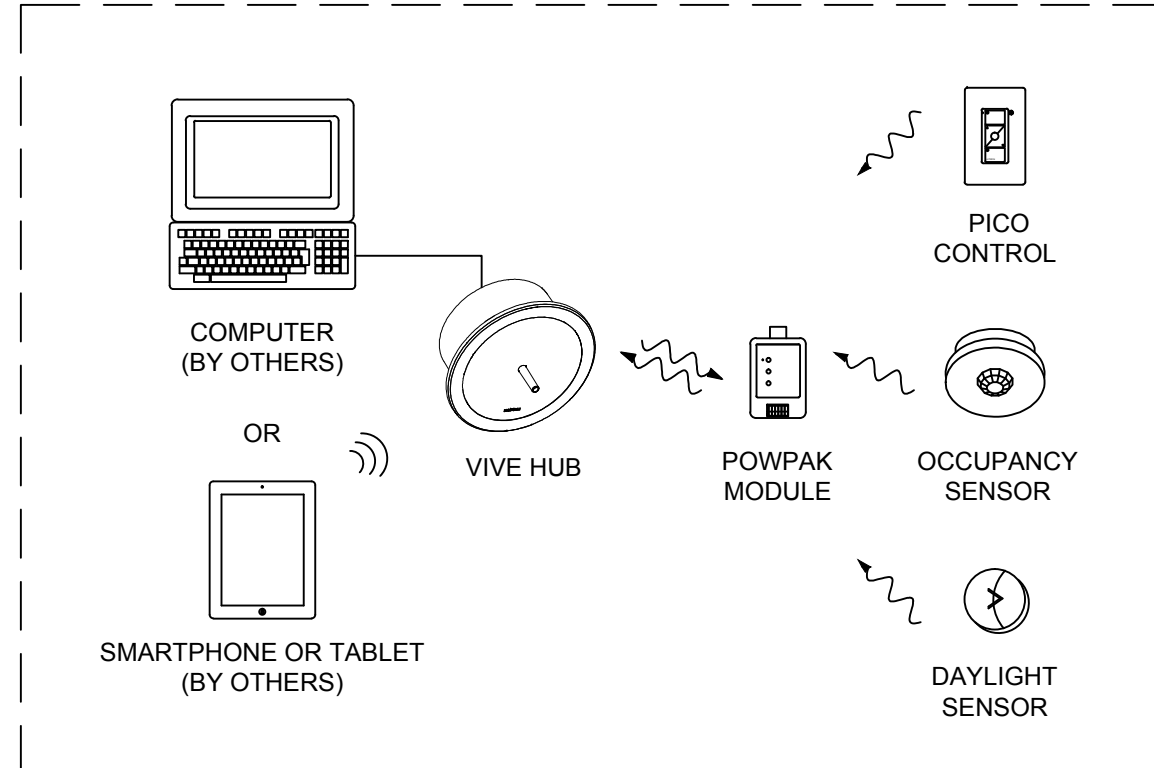


TYPICAL VIVE SYSTEM COMPONENT CONNECTIVITY DIAGRAM

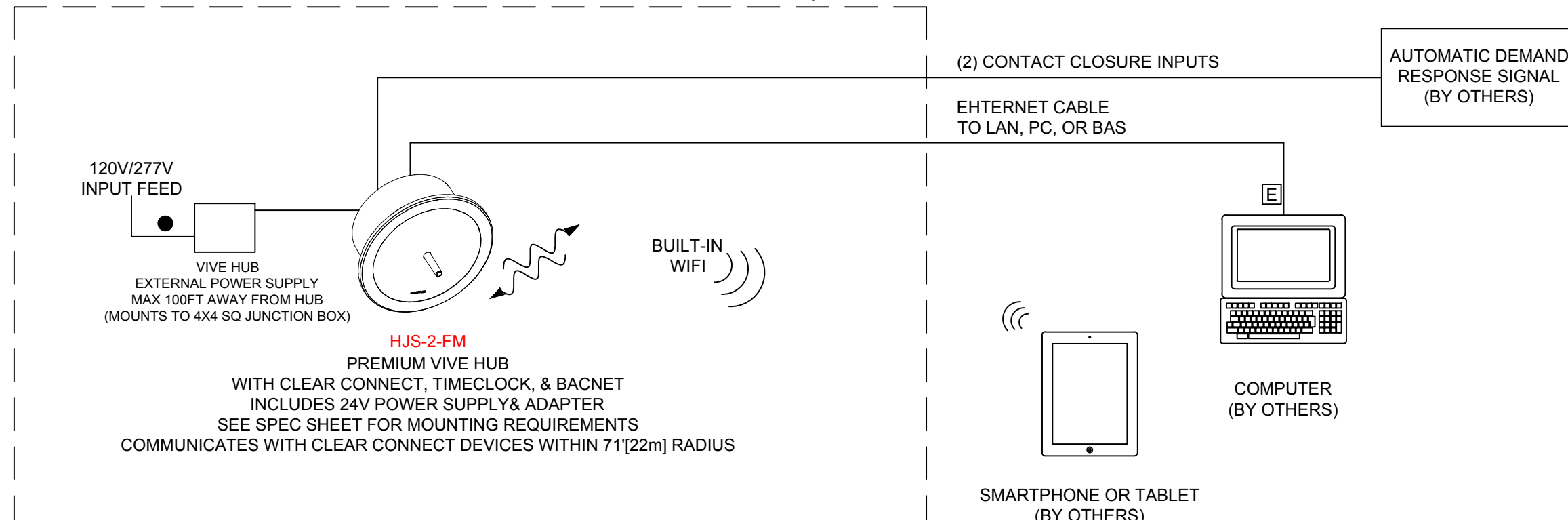


ADD WIRING DIAGRAMS FOR EACH APPLICABLE SPACE TYPE AND CODE APPLICATION.

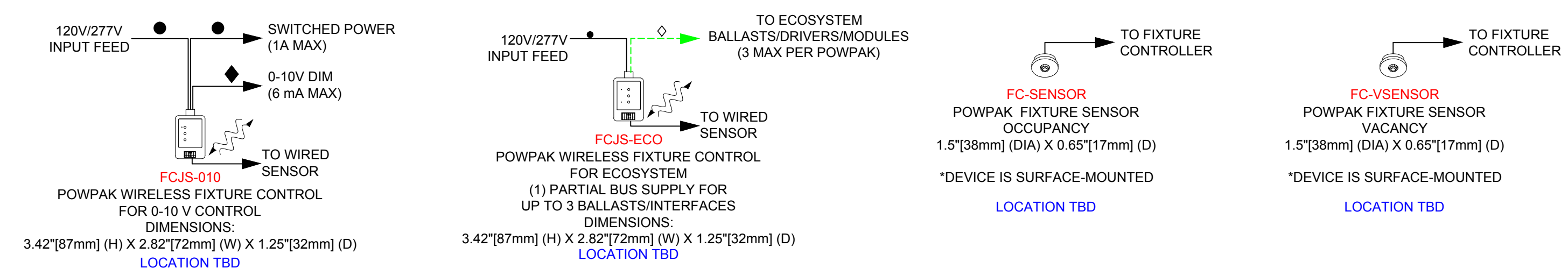
ADD WIRING DIAGRAMS FOR EACH APPLICABLE SPACE TYPE AND CODE APPLICATION.

ADD WIRING DIAGRAMS FOR EACH APPLICABLE SPACE TYPE AND CODE APPLICATION.

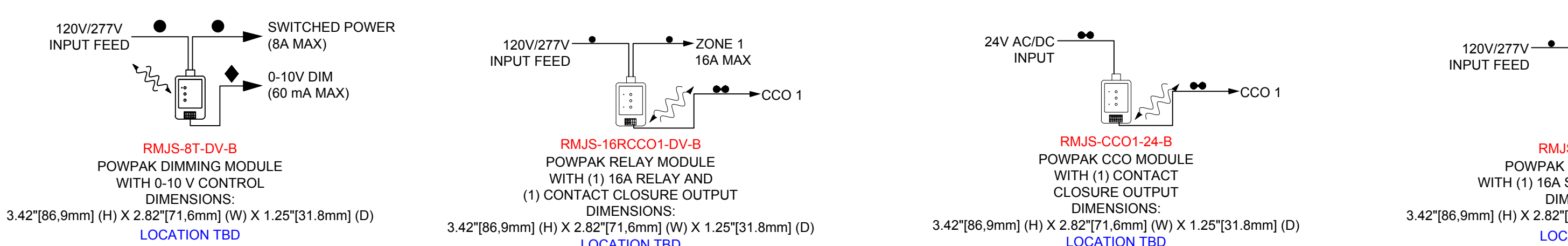
AS REQUIRED FOR SYSTEM DEVICE INTEGRATION (MIN 1 PER FLOOR WITH VIVE DEVICES - SEE PLANS FOR QUANTITY & LOCATIONS)



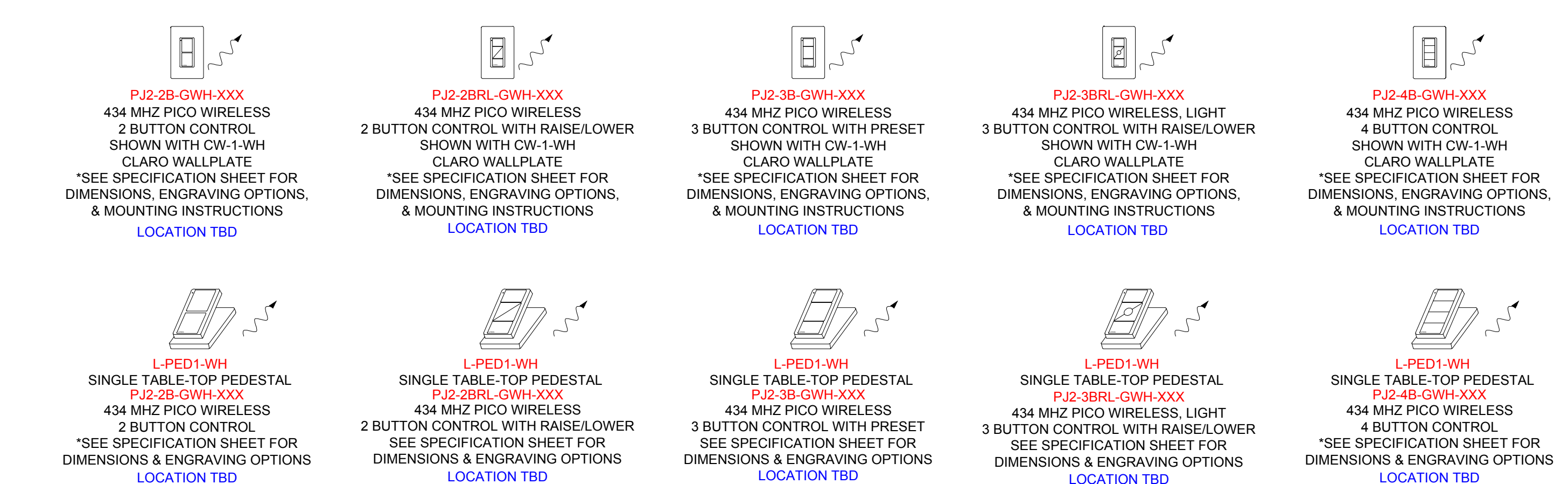
NETWORKED SYSTEM COMPONENTS



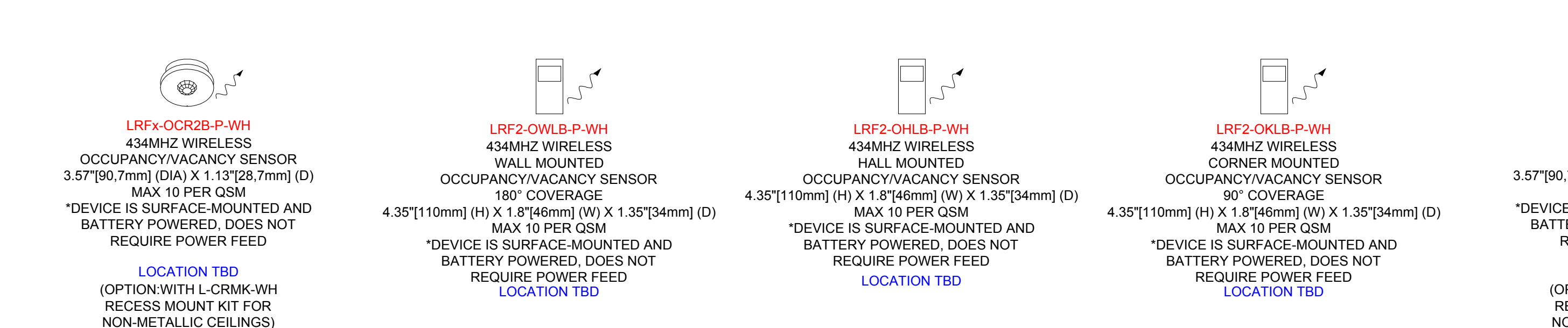
FIXTURE CONTROLLER & WIRED SENSOR OPTIONS



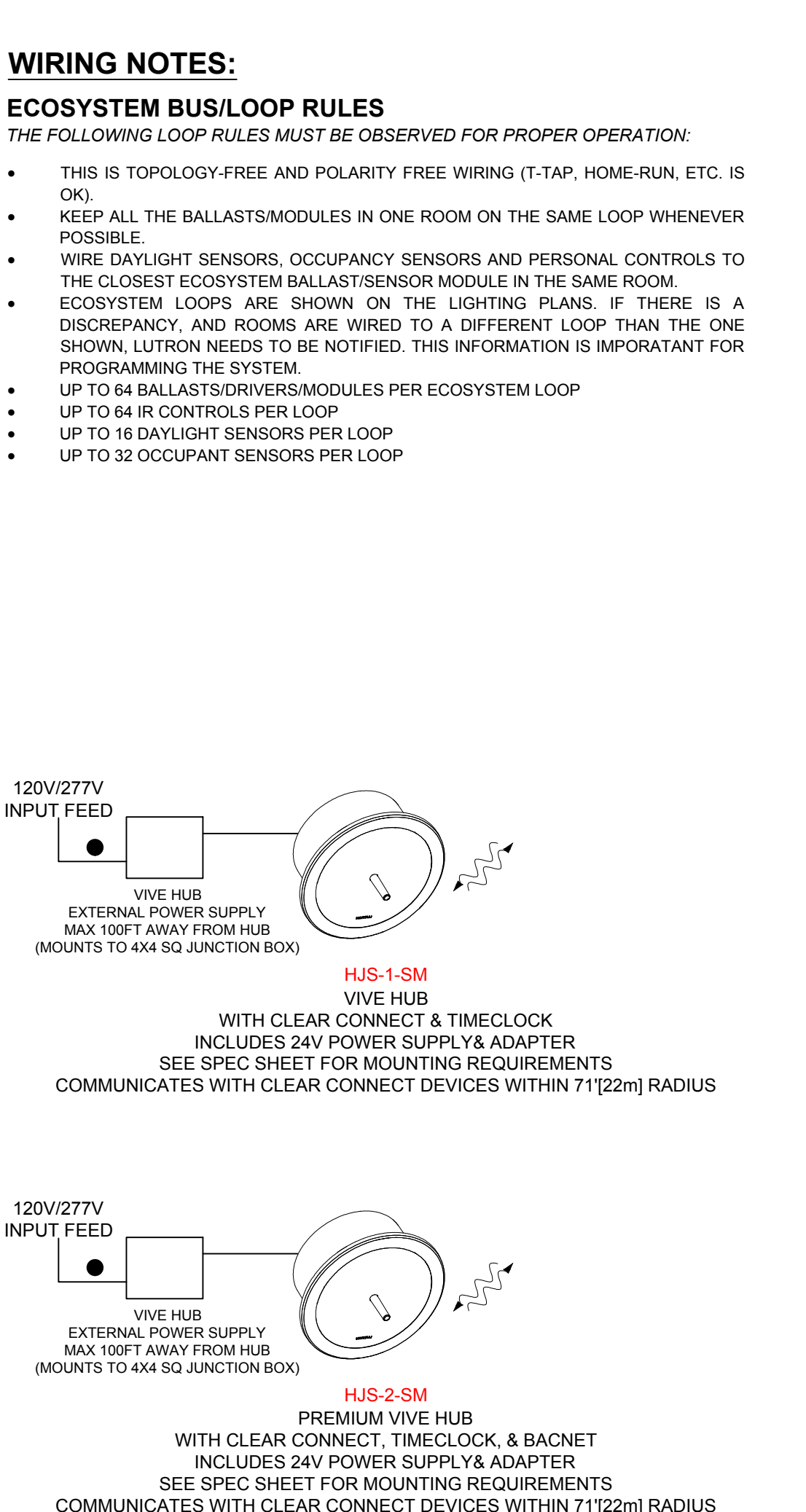
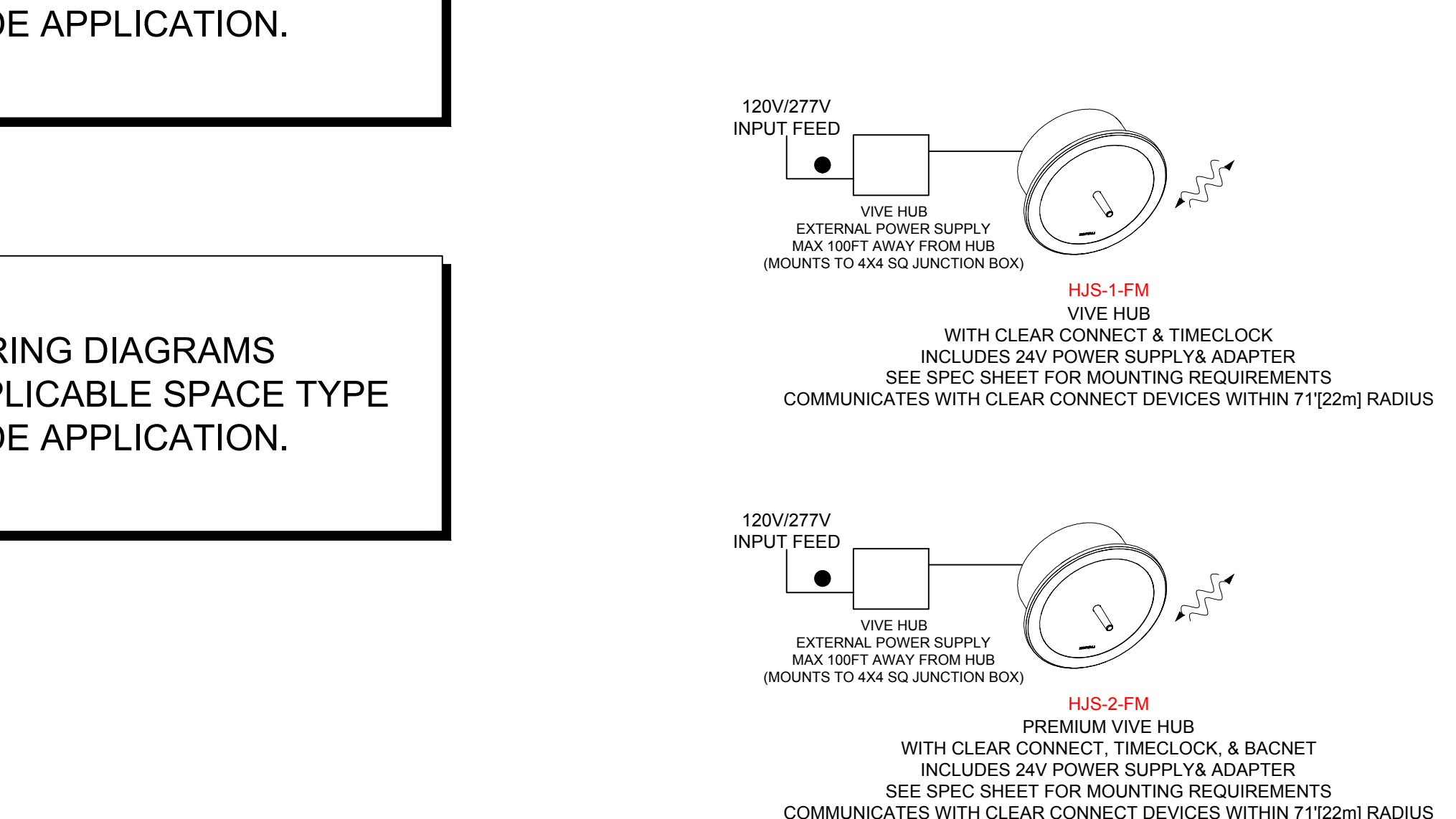
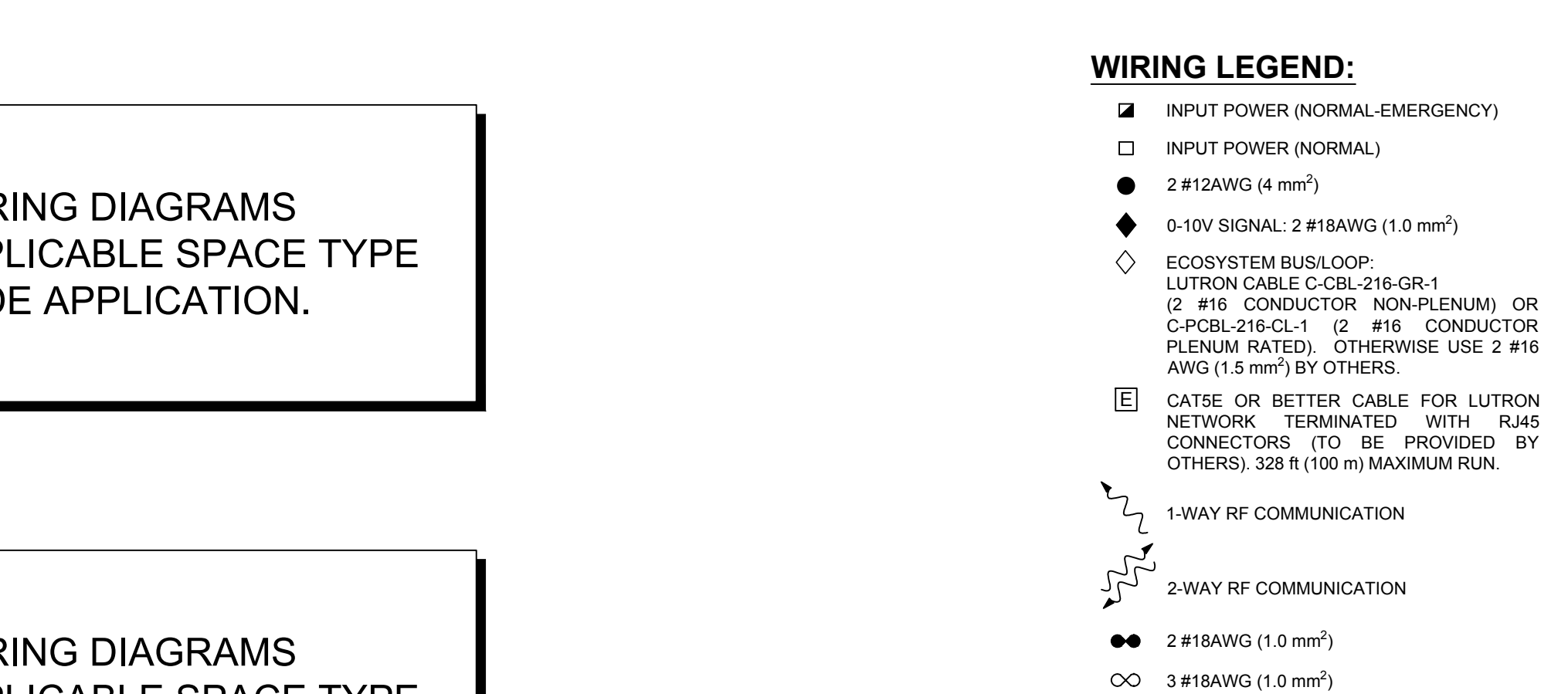
POWPAK MODULE OPTIONS



WIRELESS REMOTE CONTROL (PICO) OPTIONS



WIRELESS OCCUPANCY & VACANCY SENSOR OPTIONS



CONCEPT DRAWING NOTES:
CONTROL SYSTEM DRAWING IS PROVIDED FOR CONCEPTUAL PURPOSES ONLY AND IS NOT INTENDED FOR CONSTRUCTION. EXACT EQUIPMENT REQUIREMENTS, INCLUDING LOCATION AND QUANTITIES, SHOULD BE VERIFIED IN ACCORDANCE WITH THE MOST UP-TO-DATE LIGHTING/ELECTRICAL REFLECTED CEILING PLANS, LIGHTING FIXTURE SCHEDULES, PANEL SCHEDULES, CONTROL INTENT AND SPECIFICATIONS. SHADE EQUIPMENT SHOULD BE VERIFIED IN ACCORDANCE WITH ARCHITECTURAL PLANS, SPECIFICATIONS AND WINDOW SCHEDULES/DETAILS.

LED DIMMING REQUIRES AN EXACT MATCH BETWEEN THE LED ARRAY, DRIVER AND CONTROL. LUTRON CANNOT GUARANTEE COMPATIBILITY OR PERFORMANCE WITHOUT TESTING THIS COMBINATION.

TO CONFIRM WHAT PRODUCTS LUTRON HAS AVAILABLE OR WHAT INTERFACES MAY BE REQUIRED, CALL 1-877-DIMLED8 OR CHECK LUTRON'S PRODUCT COMPATIBILITY MATRIX ON-LINE AT WWW.LUTRON.COM/LED.

TO REQUEST THE TESTING OF AN LED PRODUCT BY LUTRON MANUFACTURERS CAN FILL OUT AN LED EVALUATION REQUEST FORM ON-LINE AT WWW.LUTRON.COM/LED OR CONTACT LEADS@LUTRON.COM.

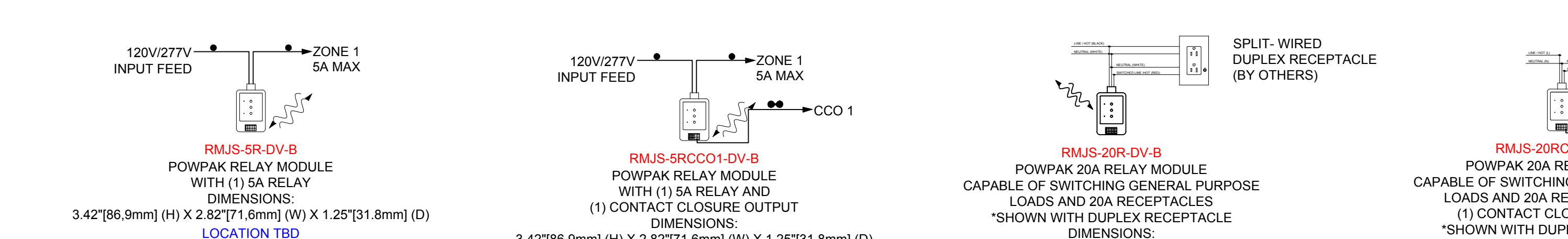
LUTRON CAN GUARANTEE COMPATIBILITY AND PERFORMANCE OF LUTRON H-LUME A-SERIES LED DRIVERS USED WITH APPROPRIATE LUTRON CONTROLS. THE H-LUME A-SERIES LED DRIVER CAN BE USED ON PRODUCTS UNDER 40 WATTS WITH SUITABLE MOUNTING LOCATIONS. PLEASE REFER TO THE SPECIFICATION SUBMITTAL SHEET FOR FURTHER INFORMATION.

IF USING UNTESTED, NON-LUTRON LED DRIVERS REQUIRING 0-10V CONTROL, PERFORMANCE AND COMPATIBILITY CANNOT BE GUARANTEED BY LUTRON. PRODUCTS FOLLOWING THE EC STANDARD 60929 ARE MORE LIKELY TO PROVIDE ACCEPTABLE PERFORMANCE RESULTS. DETERMINATION OF RESULT ACCEPTABILITY IS UP TO THE USER'S DISCRETION.

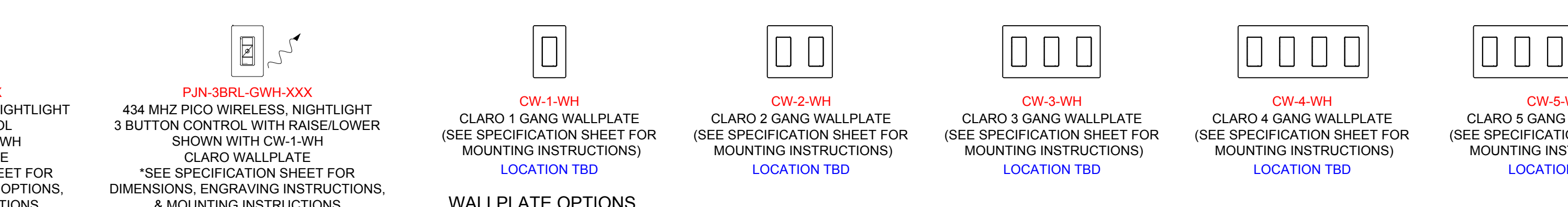
IF USING UNTESTED, NON-LUTRON LED DRIVERS REQUIRING PHASE CONTROL, PERFORMANCE AND COMPATIBILITY CANNOT BE GUARANTEED BY LUTRON. A-SERIES OR ELY PRODUCTS PROVIDING HIGH END AND LOW END TRIM ADJUSTMENTS ARE MORE LIKELY TO PROVIDE ACCEPTABLE PERFORMANCE RESULTS. DETERMINATION OF RESULT ACCEPTABILITY IS UP TO THE USER'S DISCRETION.

VIVE HUB OPTIONS

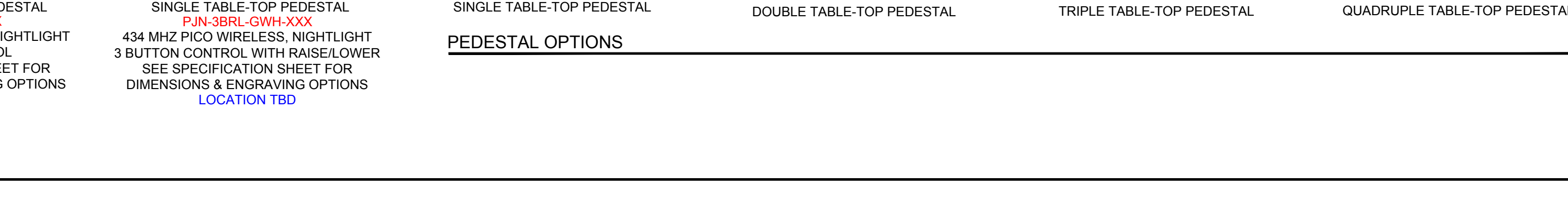
WALL SWITCH / DIMMER OPTIONS



WALLPLATE OPTIONS



PEDESTAL OPTIONS



LUTRON NOTES:
ALL DIMMING BALLASTS/DRIVERS TO BE VERIFIED FOR COMPATIBILITY. E.E. TO CONFIRM ALL CIRCUITING REQUIREMENTS. ARCHITECT TO VERIFY QUANTITY, LOCATION & FINISH OF ALL CONTROLS. ALL FACEPLATES, DIMMERS, SWITCHES, RECEPTACLES & GROUNDING JACKS TO BE LUTRON GARD 5111E. LUTRON FIELD SERVICE COMMISSIONING INCLUDED IN ALL SYSTEMS INITIATES AN 2 YEAR LIMITED WARRANTY. THE ELECTRICAL CONTRACTOR MUST CONTACT LUTRON 1-844-846-9871 TO GET UP VISIT WITH 10 DAYS NOTICE.

VIVE NETWORKED SYSTEM COMPONENTS & EQUIPMENT OPTIONS

LOCATION

CONCEPT DRAWING NOT FOR CONSTRUCTION

Project Number: #####
 Drawn By: XXX
 Drawing Date: 0
 Drawing Revision: xx.xx.xx
 Sheet: X of X