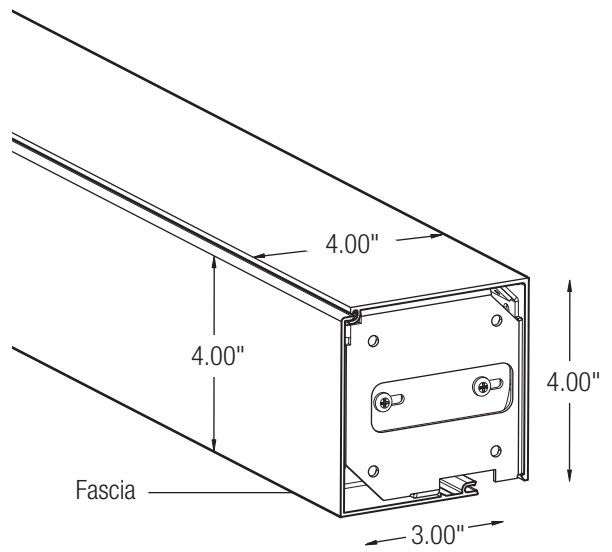


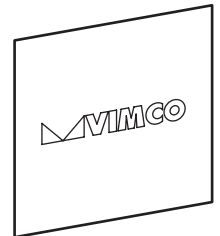
### 4" Fascia and Top-Back Cover

The 4" Fascia and Top-Back Cover system provides a top treatment to enclose either manual or motorized rollershade mechanisms. The Top-Back Cover blocks light that could enter the room over the top of the rollershade, while concealing the rollershade mechanism from viewers outside of the treated window.

The Fascia engages smoothly with the Top-Back Cover to complete the light seal and conceal the rollershade system from viewers inside the room being treated. When used in conjunction with side channels and sill angle, Fascia and Top-Back Cover provides one of the basic elements of a complete light blocking rollershade system.



**Fascia Endcap**  
Endcaps are available to finish outside mount applications

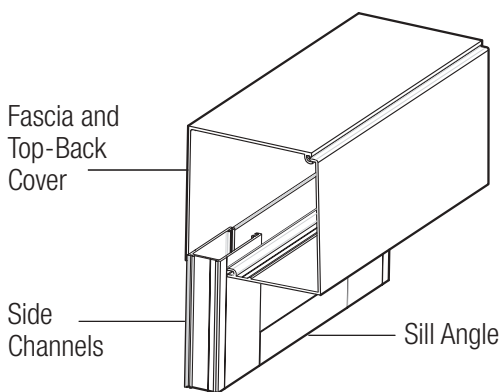


### Specifications

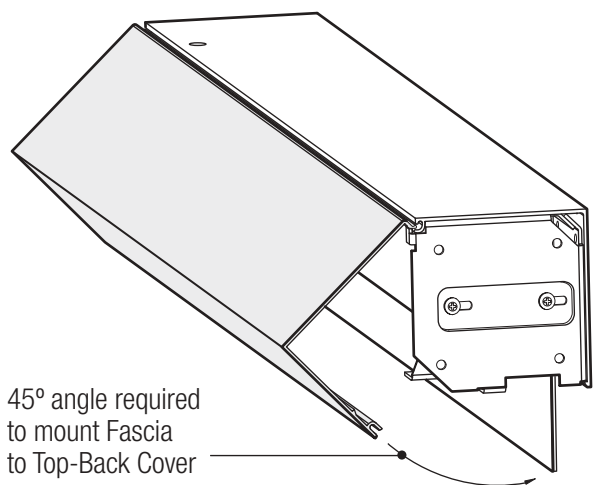
- Material** 0.075" Extruded Aluminum
- Color** White, Bronze, and Anodized  
Custom colors are available and may result in additional lead time and cost
- Length** Available in custom lengths up to 150"

### Mounting

When designing trim around the Fascia system note that a 45° angle is required to mount the Fascia on the brackets and Top-Back Cover. For systems with ends that are either partially or completely exposed, end caps are available to create a finished appearance.



Blackout System Components



Attach Fascia

<b>Job Name:</b>	<b>Model Numbers:</b>
<b>Job Number:</b>	

## Worldwide Technical and Sales Assistance

Lutron Shading Solutions by VIMCO  
 11520 Sun Shade Lane  
 Ashland, VA 23005

[www.lutron.com](http://www.lutron.com)

[www.vimco.com](http://www.vimco.com)

customer service: 1.800.446.1503

fax: 1.804.752.3366

24/7 tech support: 1.800.523.9466

email: [shadinginfo@lutron.com](mailto:shadinginfo@lutron.com)

## Limited Warranty

Lutron Shading Solutions by VIMCO offers an 8-year limited warranty for our shading systems. Please contact customer service or visit our website for a complete warranty statement.

Lutron Shading Solutions by VIMCO reserves the right to make improvements or changes to these products without prior notice. Although every attempt is made to ensure that this information is accurate and up to date, please check with Lutron Shading Solutions by VIMCO to confirm product availability, latest specifications, and suitability for your application.

These products may be covered by one or more of the following US patents:

4,803,380; 4,835,343; 4,924,349; 5,180,886; 5,671,387; 5,848,634;

6,100,659; 6,313,588; 6,346,781; 6,497,267; D310,349; D370,663;

D391,924; D422,567; D436,930; D453,742; D456,783; D461,782;

D462,332; D465,460; D465,770; D466,090; D466,091; D466,484;

D475,024; D475,025; and corresponding foreign patents. US and foreign patents pending.

<b>Job Name:</b>	<b>Model Numbers:</b>
<b>Job Number:</b>	