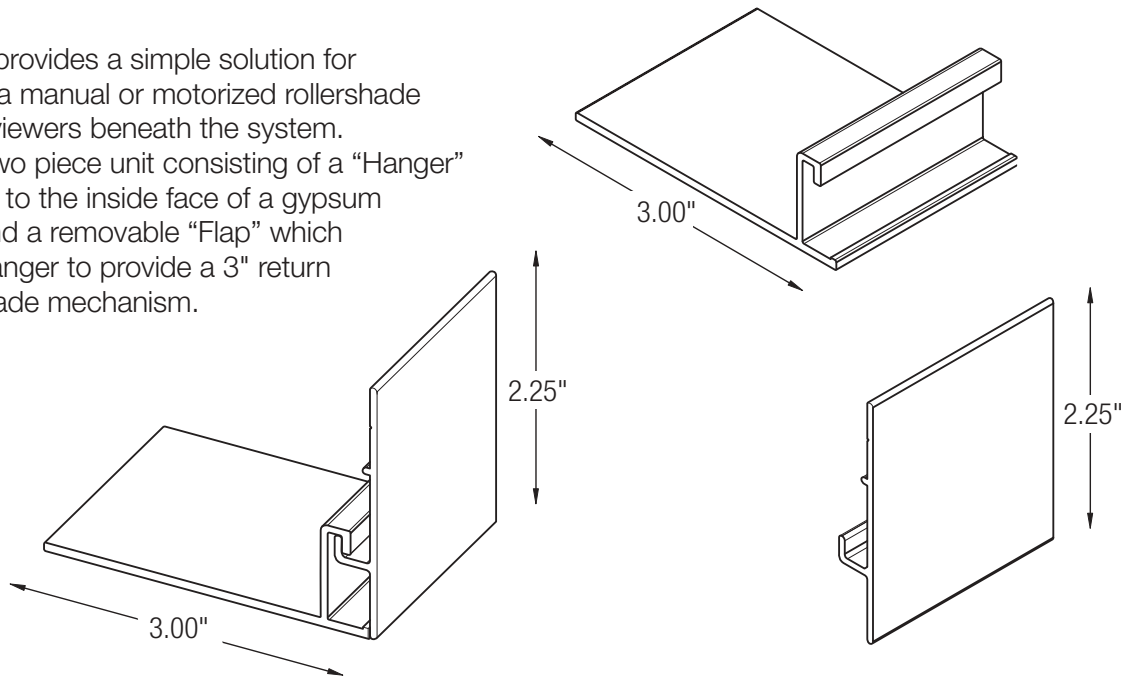


### Flap and Hanger

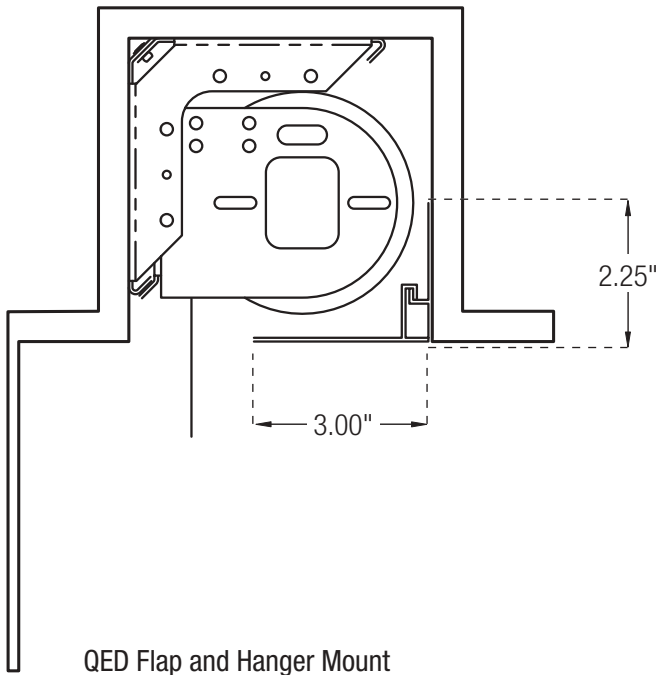
Flap and Hanger provides a simple solution for concealing either a manual or motorized rollershade assemblies from viewers beneath the system. The system is a two piece unit consisting of a "Hanger" which is mounted to the inside face of a gypsum pocket or soffit and a removable "Flap" which attaches to the hanger to provide a 3" return to conceal the shade mechanism.



### Specifications

- Material** 0.063" Extruded Aluminum
- Color** White, Bronze, and Anodized  
Custom colors are available and may result in additional lead time and cost
- Length** Available in custom lengths up to 150"

### Mounting



<b>Job Name:</b>	<b>Model Numbers:</b>
<b>Job Number:</b>	

## Worldwide Technical and Sales Assistance

Lutron Shading Solutions by VIMCO  
11520 Sun Shade Lane  
Ashland, VA 23005

[www.lutron.com](http://www.lutron.com)

[www.vimco.com](http://www.vimco.com)

customer service: 1.800.446.1503

fax: 1.804.752.3366

24/7 tech support: 1.800.523.9466

email: [shadinginfo@lutron.com](mailto:shadinginfo@lutron.com)

## Limited Warranty

Lutron Shading Solutions by VIMCO offers an 8-year limited warranty for our shading systems. Please contact customer service or visit our website for a complete warranty statement.

Lutron Shading Solutions by VIMCO reserves the right to make improvements or changes to these products without prior notice. Although every attempt is made to ensure that this information is accurate and up to date, please check with Lutron Shading Solutions by VIMCO to confirm product availability, latest specifications, and suitability for your application.

These products may be covered by one or more of the following US patents:

4,803,380; 4,835,343; 4,924,349; 5,180,886; 5,671,387; 5,848,634;

6,100,659; 6,313,588; 6,346,781; 6,497,267; D310,349; D370,663;

D391,924; D422,567; D436,930; D453,742; D456,783; D461,782;

D462,332; D465,460; D465,770; D466,090; D466,091; D466,484;

D475,024; D475,025; and corresponding foreign patents. US and foreign patents pending.

<b>Job Name:</b>	<b>Model Numbers:</b>
<b>Job Number:</b>	