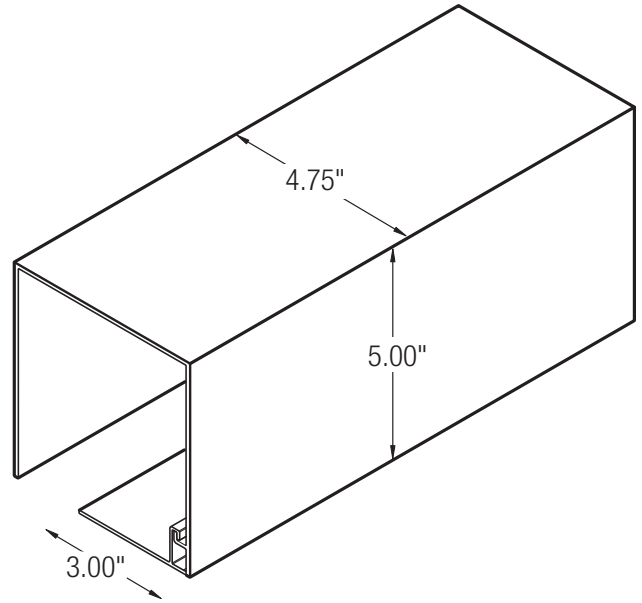


### 4.75"x 5" Pocket and Flap

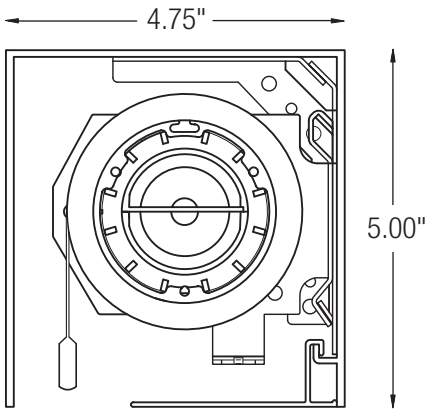
The Pocket and Flap is a two piece aluminum extrusion set which provides a solution for concealing and protecting manual or motorized rollershade assemblies. The pocket consists of a "U" shade extrusion with an integral "Hanger". The Hanger provides a physical support for a "Flap" which provides a 3" return under the pocket. The pocket provides protection for the shade assembly and can be mounted above drop ceilings or other unfinished spaces.



### Specifications

- Material** 0.094" Extruded Aluminum
- Color** White, Bronze, and Anodized  
Custom colors are available and may result in additional lead time and cost
- Length** Available in custom lengths up to 150"

### Mounting



QED Pocket Mount

<b>Job Name:</b>	<b>Model Numbers:</b>
<b>Job Number:</b>	

## Worldwide Technical and Sales Assistance

Lutron Shading Solutions by VIMCO  
11520 Sun Shade Lane  
Ashland, VA 23005

[www.lutron.com](http://www.lutron.com)

[www.vimco.com](http://www.vimco.com)

customer service: 1.800.446.1503

fax: 1.804.752.3366

24/7 tech support: 1.800.523.9466

email: [shadinginfo@lutron.com](mailto:shadinginfo@lutron.com)

## Limited Warranty

Lutron Shading Solutions by VIMCO offers an 8-year limited warranty for our shading systems. Please contact customer service or visit our website for a complete warranty statement.

Lutron Shading Solutions by VIMCO reserves the right to make improvements or changes to these products without prior notice. Although every attempt is made to ensure that this information is accurate and up to date, please check with Lutron Shading Solutions by VIMCO to confirm product availability, latest specifications, and suitability for your application.

These products may be covered by one or more of the following US patents:

4,803,380; 4,835,343; 4,924,349; 5,180,886; 5,671,387; 5,848,634;

6,100,659; 6,313,588; 6,346,781; 6,497,267; D310,349; D370,663;

D391,924; D422,567; D436,930; D453,742; D456,783; D461,782;

D462,332; D465,460; D465,770; D466,090; D466,091; D466,484;

D475,024; D475,025; and corresponding foreign patents. US and foreign patents pending.

<p><b>Job Name:</b></p> <p><b>Job Number:</b></p>	<p><b>Model Numbers:</b></p>
--	------------------------------