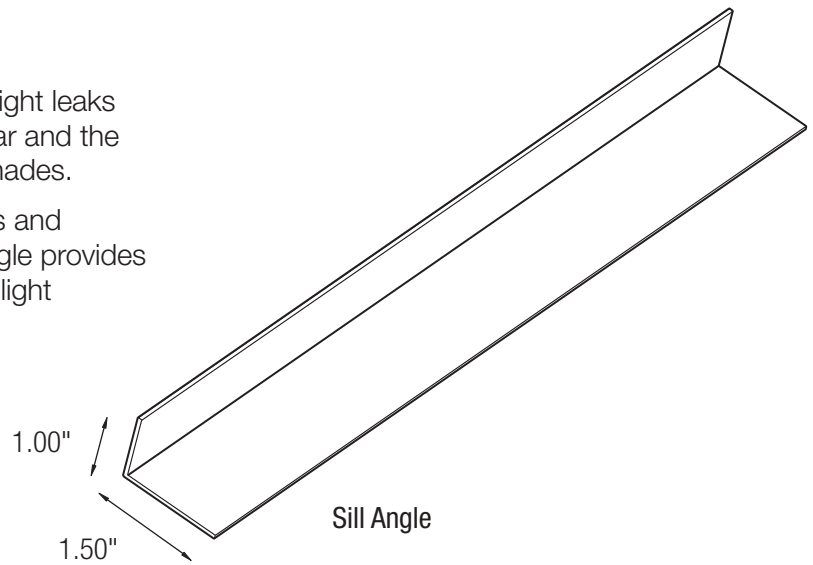


1.0" x 1.5" Sill Angle

Aluminum Sill Angle is used to eliminate the light leaks that occur between the bottom of the hembar and the window sill on motorized and manual rollershades.

When used in conjunction with side channels and a properly constructed top treatment, Sill Angle provides one of the the basic elements of a complete light blocking rollershade system.

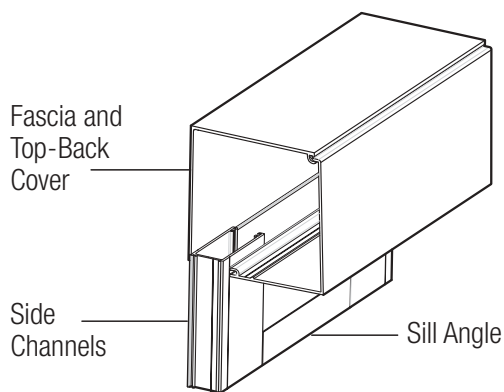


Specifications

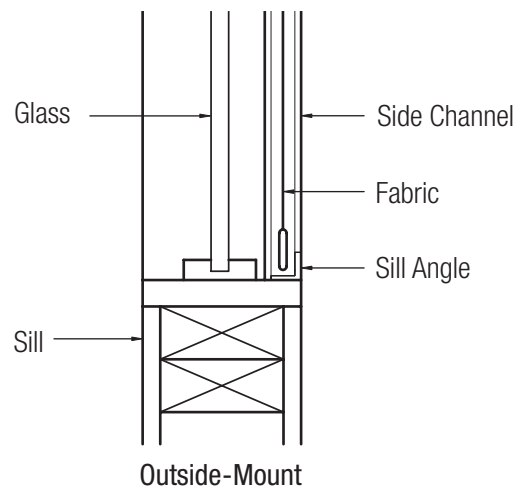
Material	0.062" Extruded Aluminum
Color	White, Bronze, and Anodized Custom colors are available and may result in additional lead time and cost
Length	Available in custom lengths up to 150"

Mounting

Mount the sill angle even with the front of the side channel.



Blackout System Components



Outside-Mount

Job Name:

Model Numbers:

Job Number:

Worldwide Technical and Sales Assistance

Lutron Shading Solutions by VIMCO
11520 Sun Shade Lane
Ashland, VA 23005

www.lutron.com

www.vimco.com

customer service: 1.800.446.1503

fax: 1.804.752.3366

24/7 tech support: 1.800.523.9466

email: shadinginfo@lutron.com

Limited Warranty

Lutron Shading Solutions by VIMCO offers an 8-year limited warranty for our shading systems. Please contact customer service or visit our website for a complete warranty statement.

Lutron Shading Solutions by VIMCO reserves the right to make improvements or changes to these products without prior notice. Although every attempt is made to ensure that this information is accurate and up to date, please check with Lutron Shading Solutions by VIMCO to confirm product availability, latest specifications, and suitability for your application.

These products may be covered by one or more of the following US patents:

4,803,380; 4,835,343; 4,924,349; 5,180,886; 5,671,387; 5,848,634;

6,100,659; 6,313,588; 6,346,781; 6,497,267; D310,349; D370,663;

D391,924; D422,567; D436,930; D453,742; D456,783; D461,782;

D462,332; D465,460; D465,770; D466,090; D466,091; D466,484;

D475,024; D475,025; and corresponding foreign patents. US and foreign patents pending.

Job Name:	Model Numbers:
Job Number:	