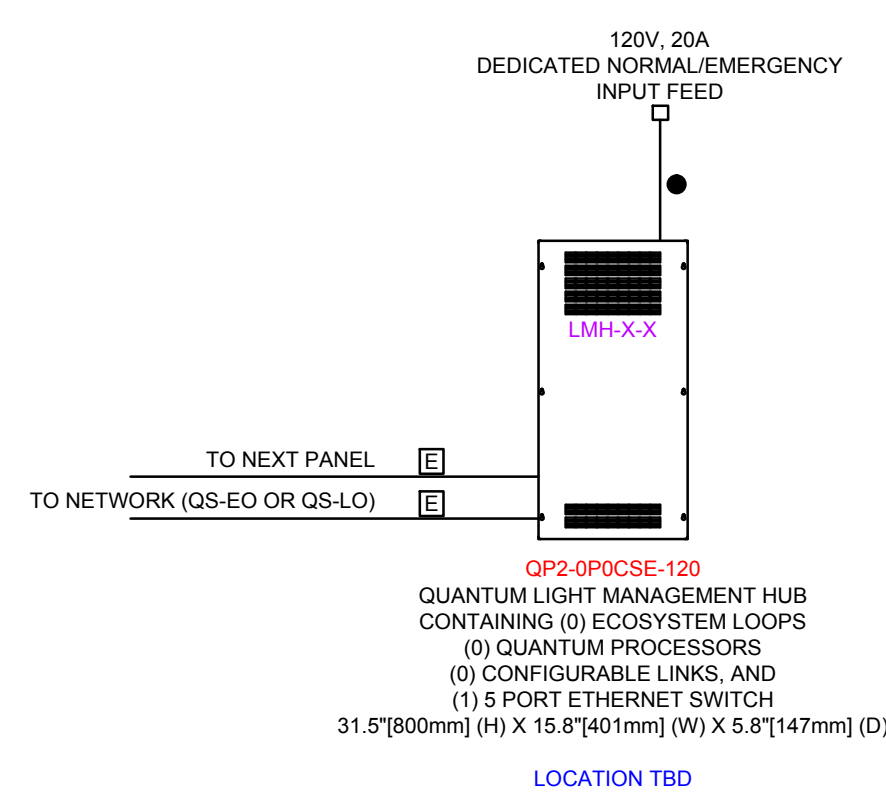
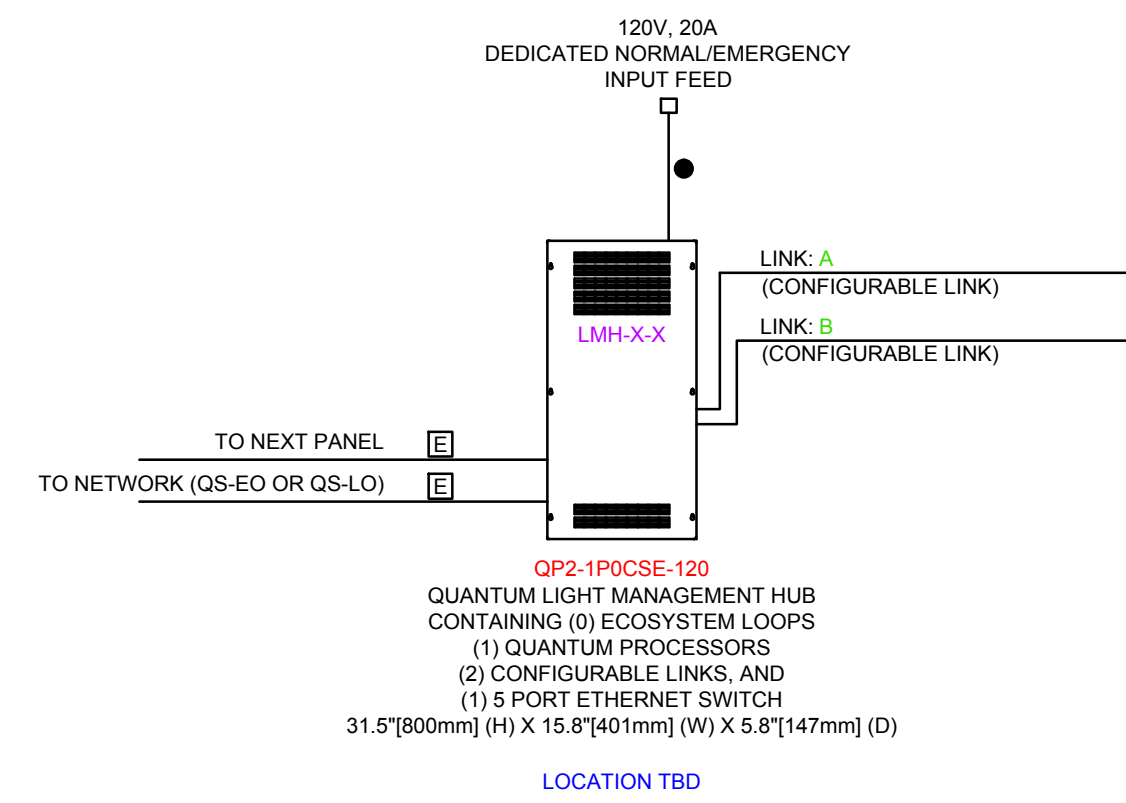


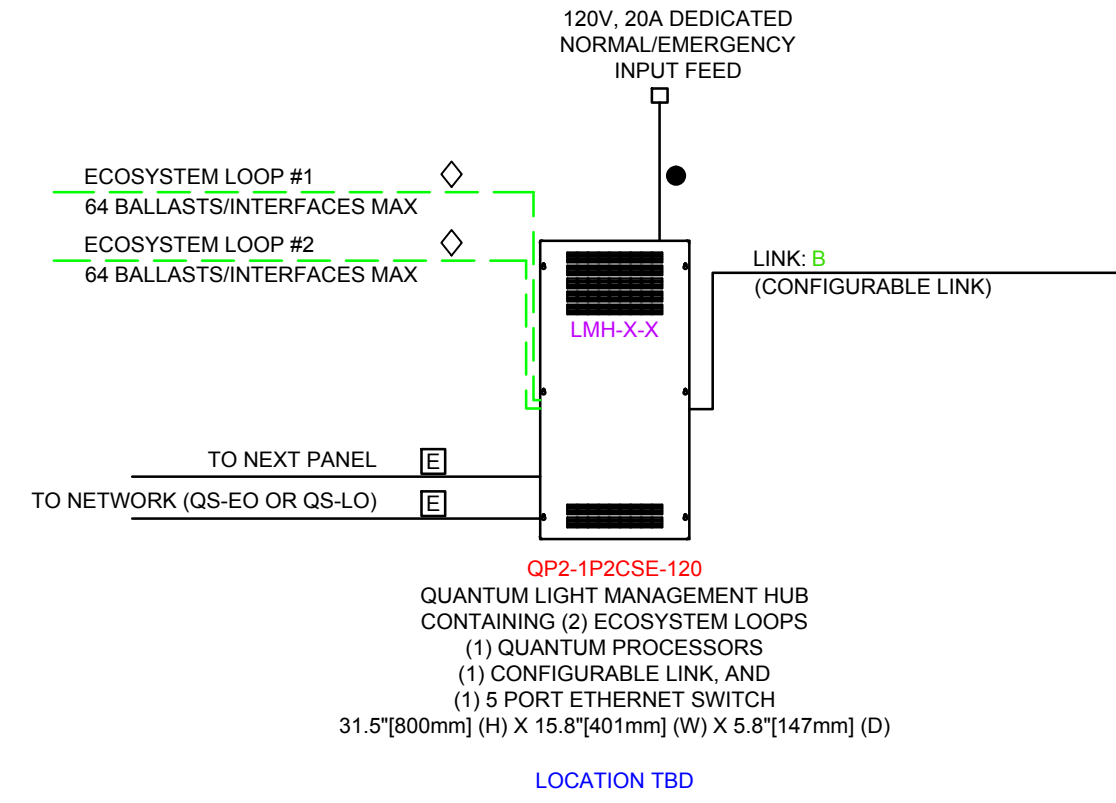
QP2-0P0CSE-120



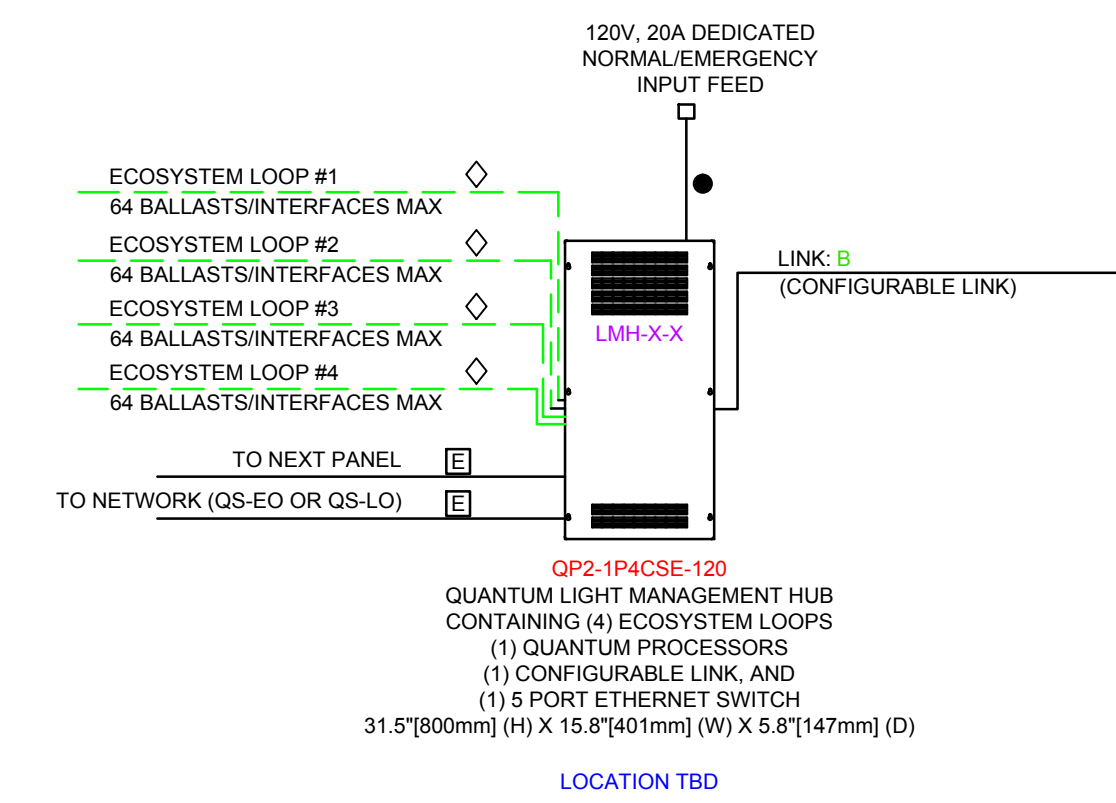
QP2-1P0CSE-120



QP2-1P2CSE-120



QP2-1P4CSE-120



NOTE SENSOR PLACEMENT

****IMPORTANT NOTE REGARDING SENSOR PLACEMENT****
THE OCCUPANCY SENSORS & DAYLIGHT SENSORS ON THIS ECOSYSTEM LOOP LAYOUT WERE NOT PLACED BY LUTRON. THIS ECOSYSTEM LOOP LAYOUT ONLY SHOWS THE CONNECTION OF THE SENSORS TO THE APPROPRIATE ECOSYSTEM COMPONENT. THE ACTUAL LOCATIONS OF THE SENSORS SHOULD BE DETERMINED BY FOLLOWING THE LUTRON SPECIFICATION SHEETS AND THE INSTALLATION INSTRUCTIONS.

QS Link Controls

QS LINK CONTROLS

- 1. LUTRON PART: LOS-COT-XXXX-WH. DUAL TECHNOLOGY CEILING MOUNT SENSOR. PROVIDES POWER FROM A POWER PACK AND WIRE SIGNAL TO A QS-IO UNIT.
- 2. LUTRON PART: LOS-COT-3000R-WH. DUAL TECHNOLOGY CEILING MOUNT SENSOR. PROVIDES POWER FROM A POWER PACK AND WIRE SIGNAL TO A QS-IO UNIT.
- 3. LUTRON PART: PP-120H OR PP-2TH. POWER PACK PROVIDES POWER TO LUTRON OCCUPANCY SENSORS IN THE SWITCHING AREAS, LOCATED IN ELECTRICAL CLOSETS.
- 4. LUTRON PART: QSE-IO. PROVIDES 5 CONTACT INPUTS TO RECEIVE SIGNALS FROM OCCUPANCY SENSORS, DAYLIGHT SENSORS, ETC. IN THE SWITCHING AREAS.
- 5. LUTRON PART: QSWS2-2B-WH. QS WALL CONTROL WITH 2-BUTTONS FOR ON/OFF. WALLSTATION RECALLS LIGHTING PRESETS FOR ANY GROUP OF LIGHTS IN THE SYSTEM.
- 6. LUTRON PART: QSWS2-4B-WH. QS WALL CONTROL WITH 4-BUTTONS. RAISE AND LOWER FOR CONTROL OF 4 SCENES PLUS OFF. WALLSTATION RECALLS LIGHTING PRESETS FOR ANY GROUP OF LIGHTS IN THE SYSTEM.
- 7. LUTRON PART: QSWS2-8B-WH. QS WALL CONTROL WITH 8-BUTTONS. RAISE AND LOWER FOR CONTROL OF 8 SCENES PLUS OFF. WALLSTATION RECALLS LIGHTING PRESETS FOR ANY GROUP OF LIGHTS IN THE SYSTEM.
- 8. LUTRON PART: QSE-CLNWK-K. QS INTERFACE TO COMMUNICATE VIA TCP/IP OR RISES WITH AV SYSTEMS.

NOTE-EMERGENCY FUNCTION

EMERGENCY FUNCTION
WHEN NORMAL POWER LOSS IS DETECTED BY THE LUT 4139-3A SIGNAL, WILL BE SENT TO THE QUANTUM BUS SUPPLY LOCATED IN THE LIGHT MANAGEMENT HUB. ALL ECOSYSTEM BALLASTS THAT HAVE EMERGENCY POWER WILL GO TO THEIR EMERGENCY STATE.

NOTE-QUANTUM NETWORK

WHEN A LUTRON LIGHT MANAGEMENT HUB IS REQUIRED TO REMAIN OPERATIONAL FROM A POWER PACK OR WIRE SIGNAL, THE NUMBER OF ECOSYSTEM LOOPS AND THE SYSTEM CAPACITY OF EACH QUANTUM HUB IS LIMITED TO 128 ECOSYSTEM LOOPS. THE RESPONSIBILITY OF THE NETWORK PROVIDER TO ENSURE THE RELIABILITY AND SECURITY OF THE LINK.

CASE OR OTHER ETHERNET CABLE TO BE RUN FOR DEDICATED LINK TERMINATION AND CONNECTIONS PROVIDED. THE NUMBER OF ETHERNET PORTS AVAILABLE WITH THE DEDICATED LINKS IS LIMITED TO 16. THE TOTAL LENGTH OF ETHERNET CABLE SHOULD NOT EXCEED 100 METERS.

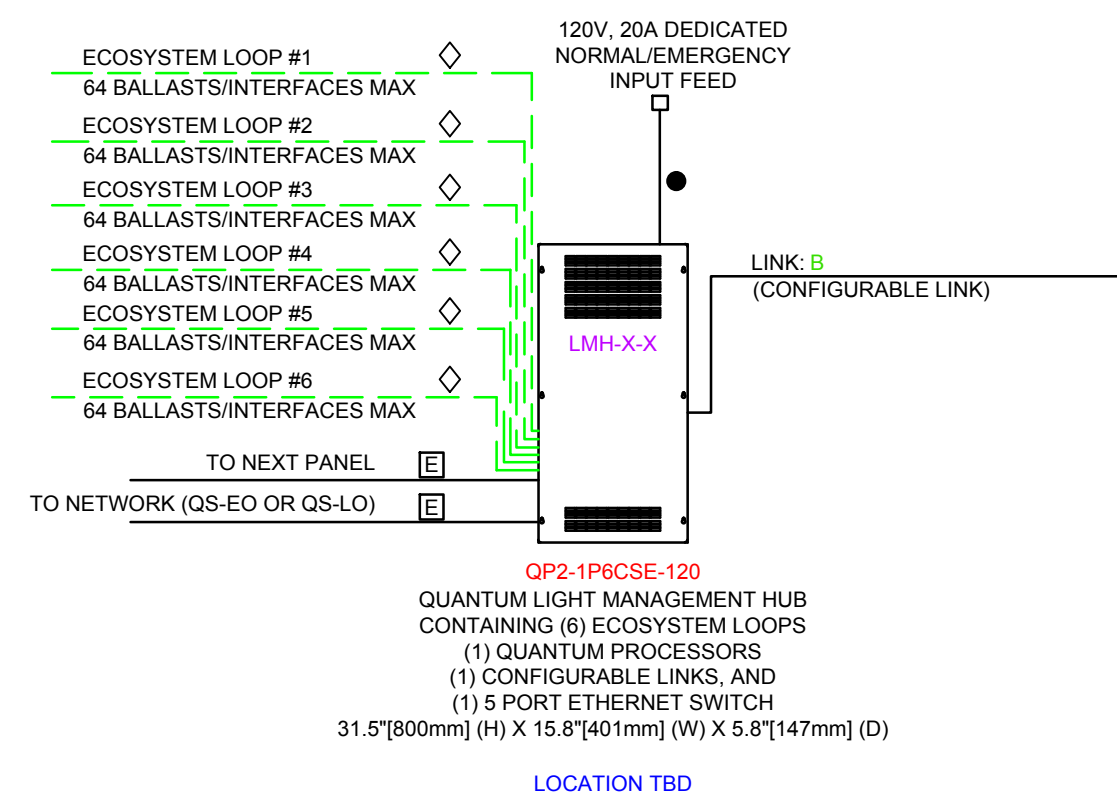
IF LONGER RUNS ARE REQUIRED, MULTIMODE FIBER OPTIC CABLE CAN BE USED AND THE CONTRACTOR SHOULD CONSULT WITH THE NETWORK PROVIDER FOR STANDARD ETHERNET AND FIBER OPTIC CABLE REQUIREMENTS AND SELECTION AS WELL AS FOR PLACEMENT OF SWITCHES, ROUTERS, HUBS, ETC.

FOR MORE INFORMATION REGARDING NETWORK EQUIPMENT REQUIREMENTS AND NETWORK CONFIGURATION, PLEASE REFER TO THE QUANTUM LIGHTING MANAGEMENT NETWORK SPECIFICATION SHEET OF CONTACT LUTRON.

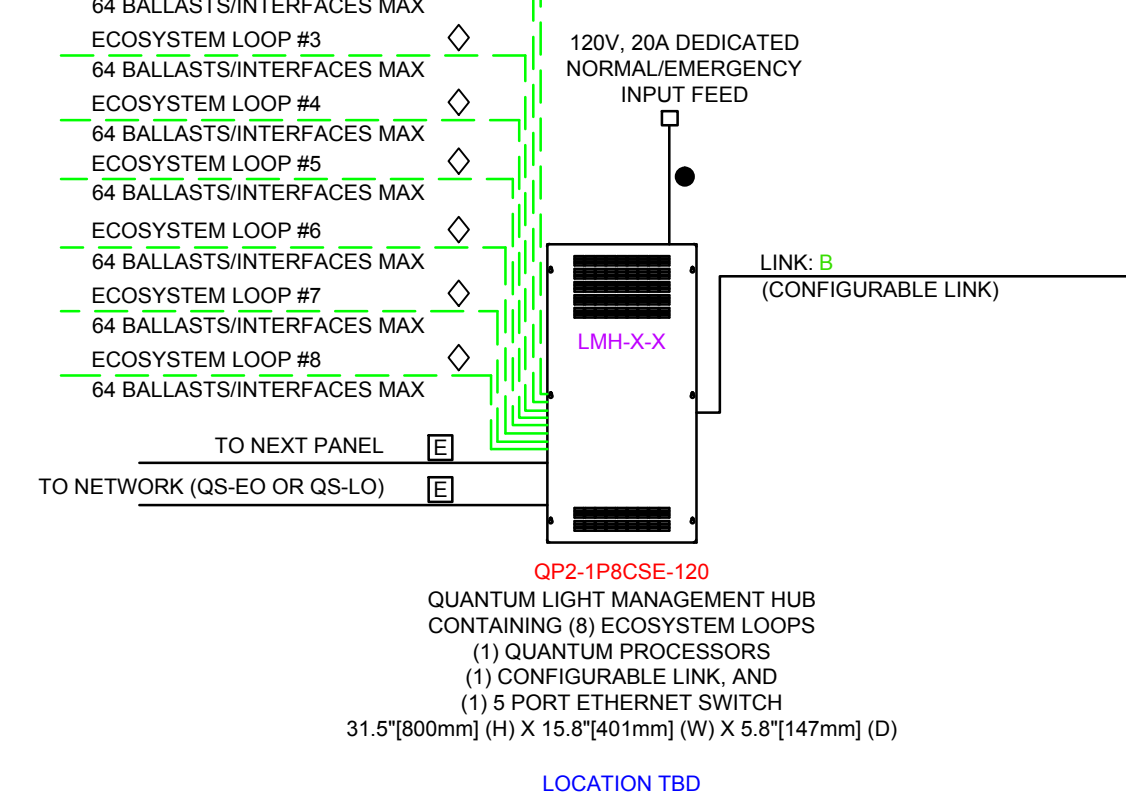
QUANTUM OUTLET NOTE

REQUIRED FOR SYSTEM START-UP. AN OUTLET MUST BE INSTALLED WITHIN 4 FT (1.2M) OF THE PANEL. OUTLET SHOULD NOT BE ON THE SAME CIRCUIT AS THE PANEL.

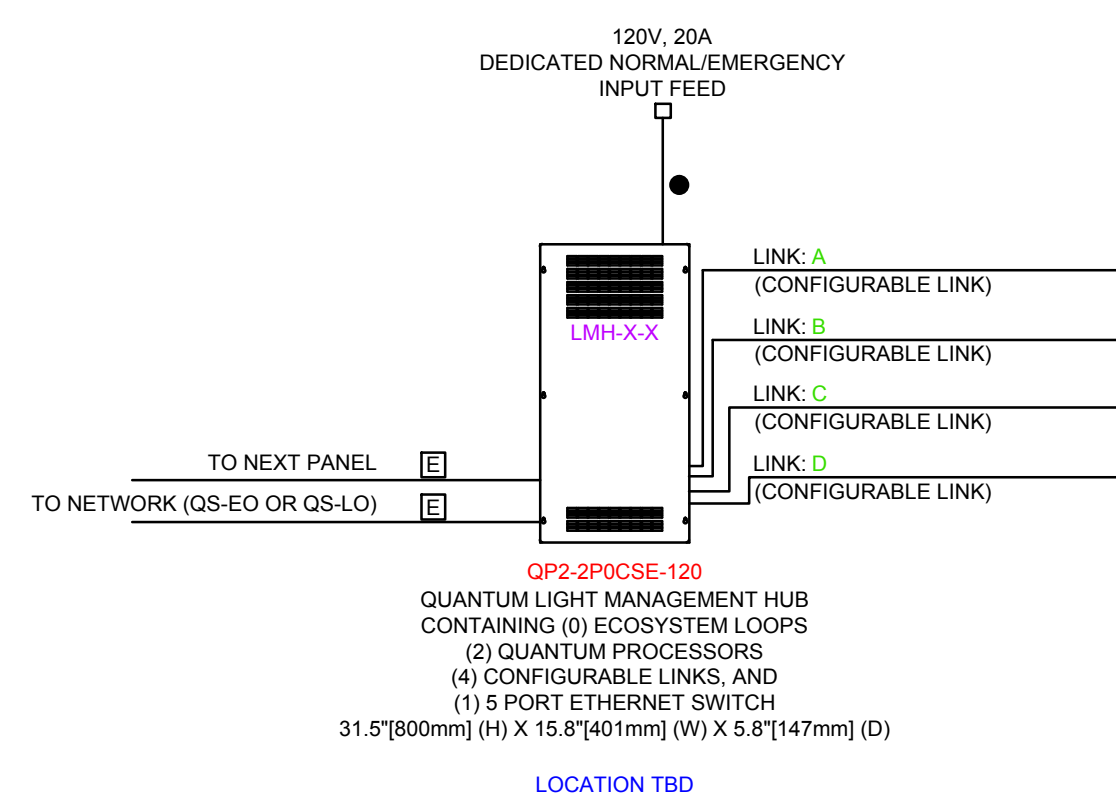
QP2-1P6CSE-120



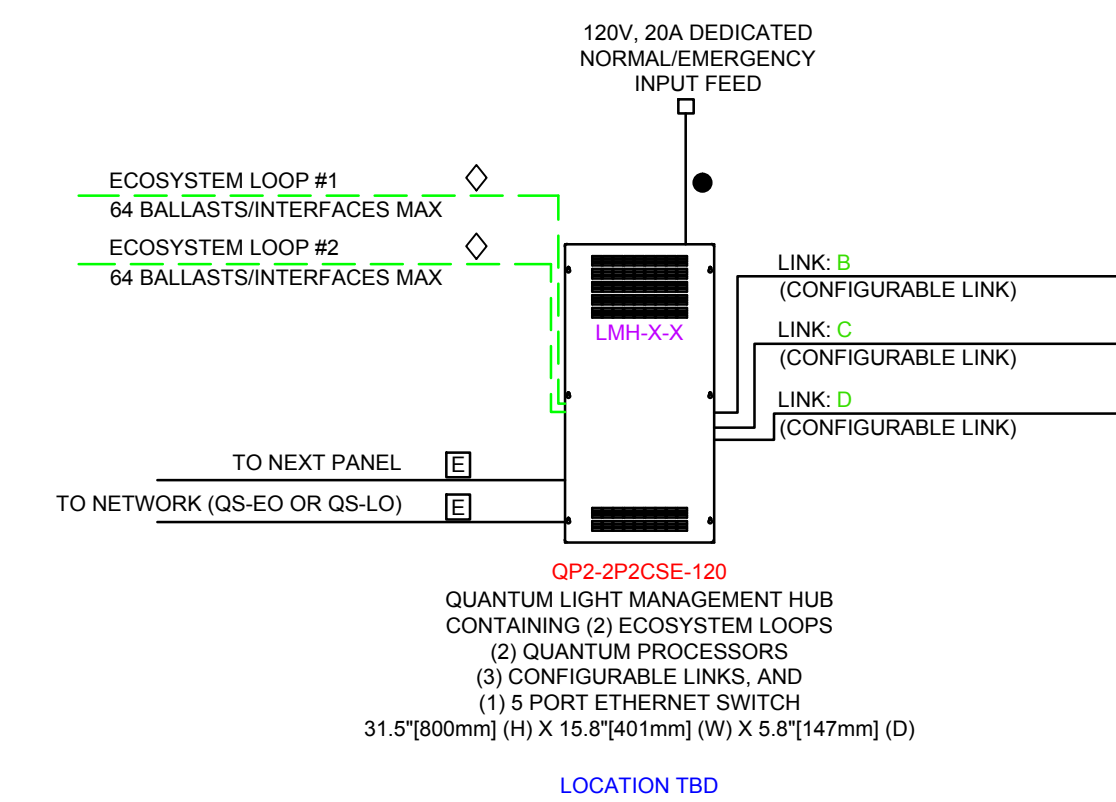
QP2-1P8CSE-120



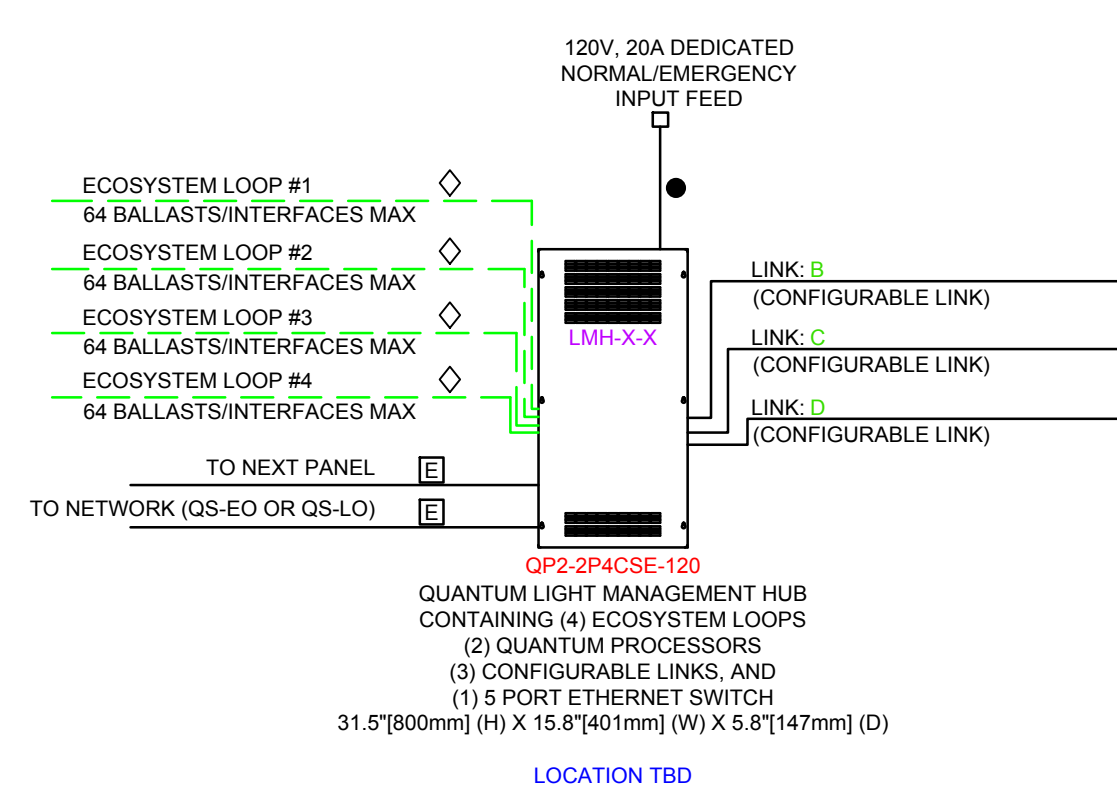
QP2-2P0CSE-120



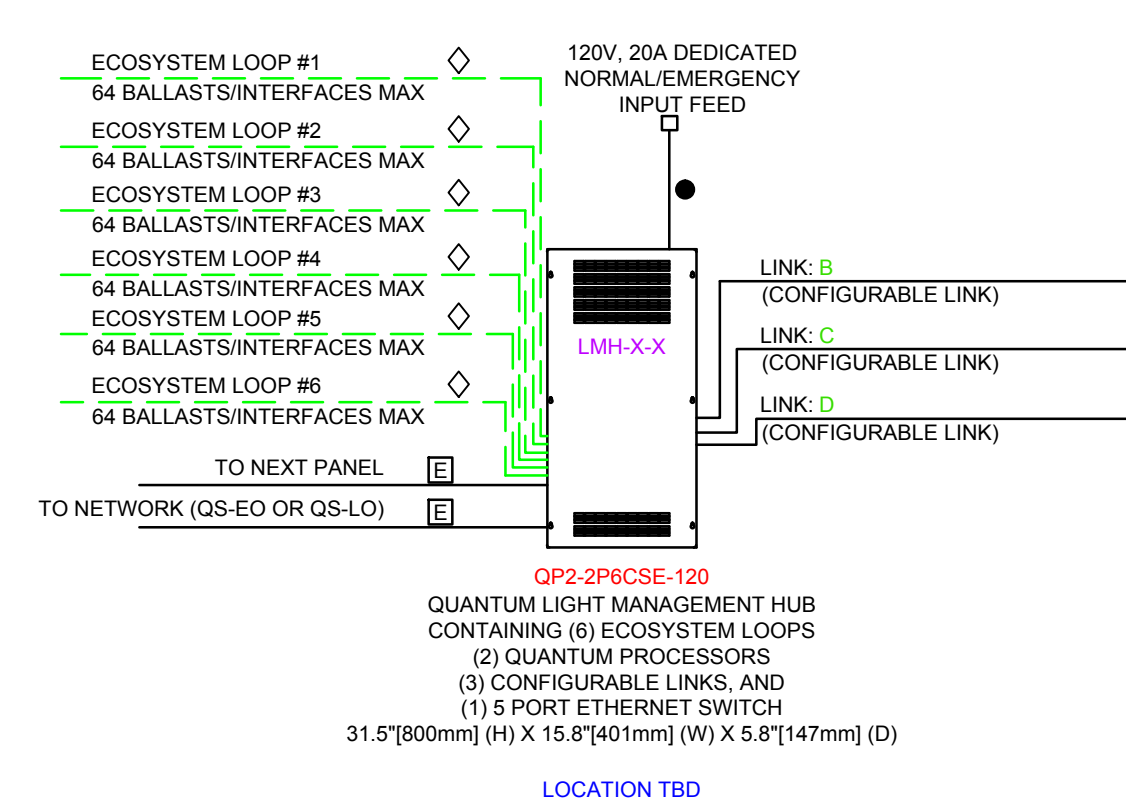
QP2-2P2CSE-120



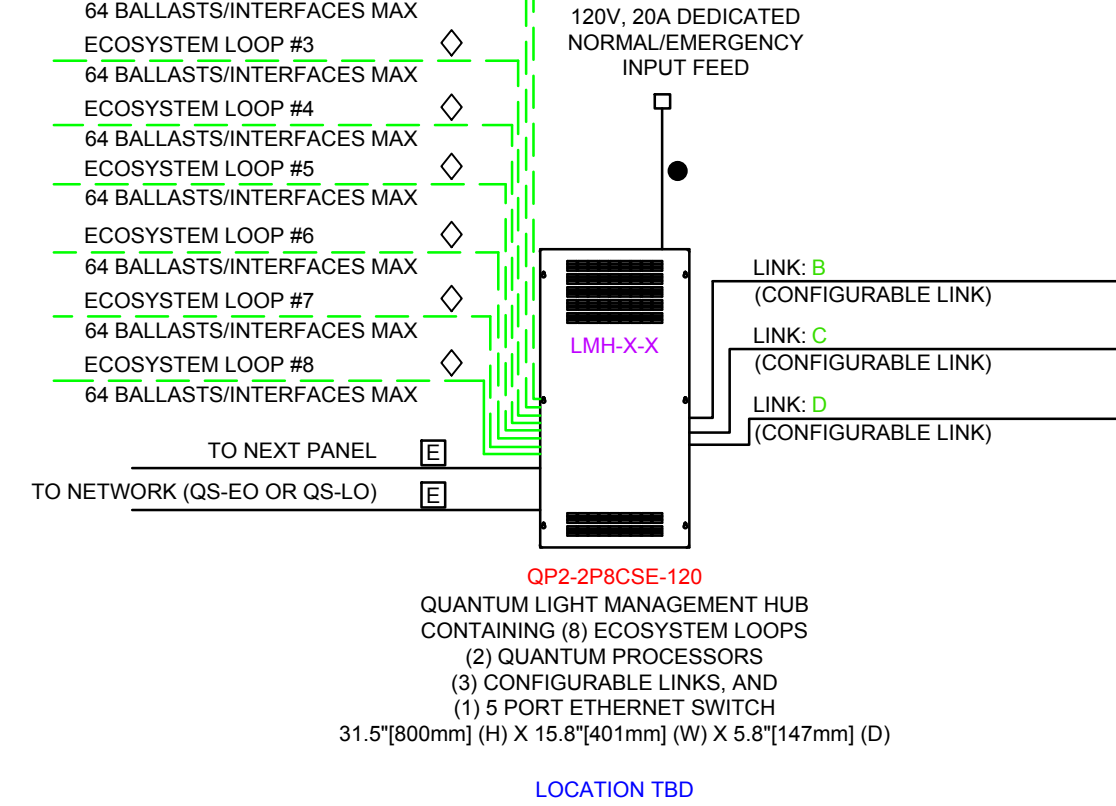
QP2-2P4CSE-120



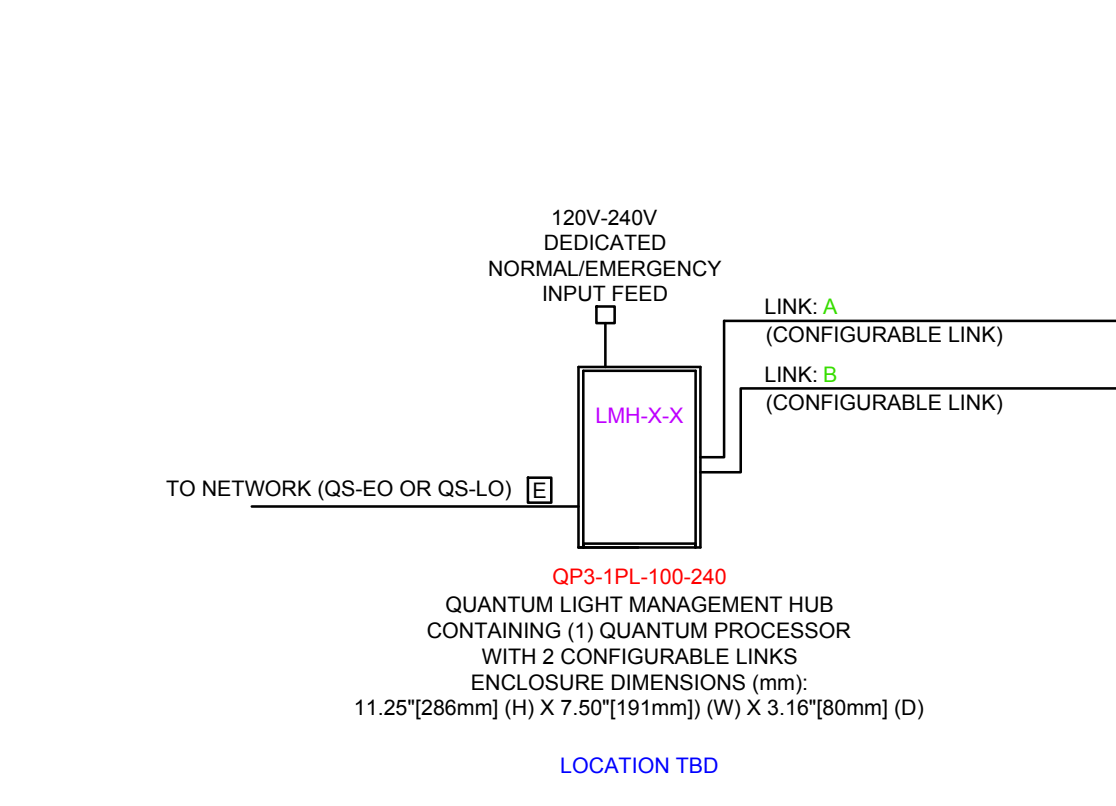
QP2-2P6CSE-120



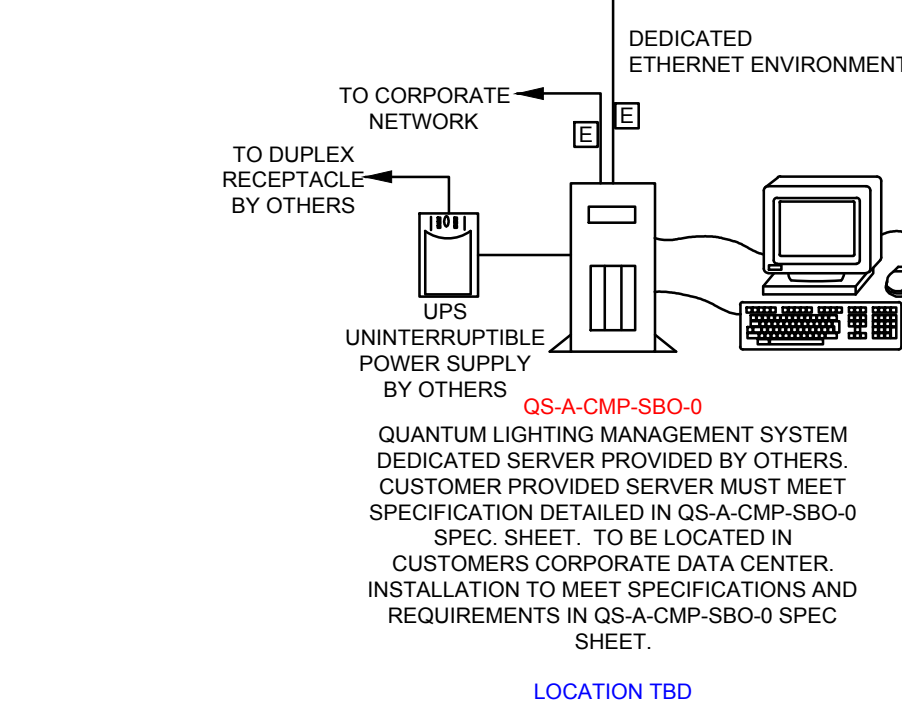
QP2-2P8CSE-120



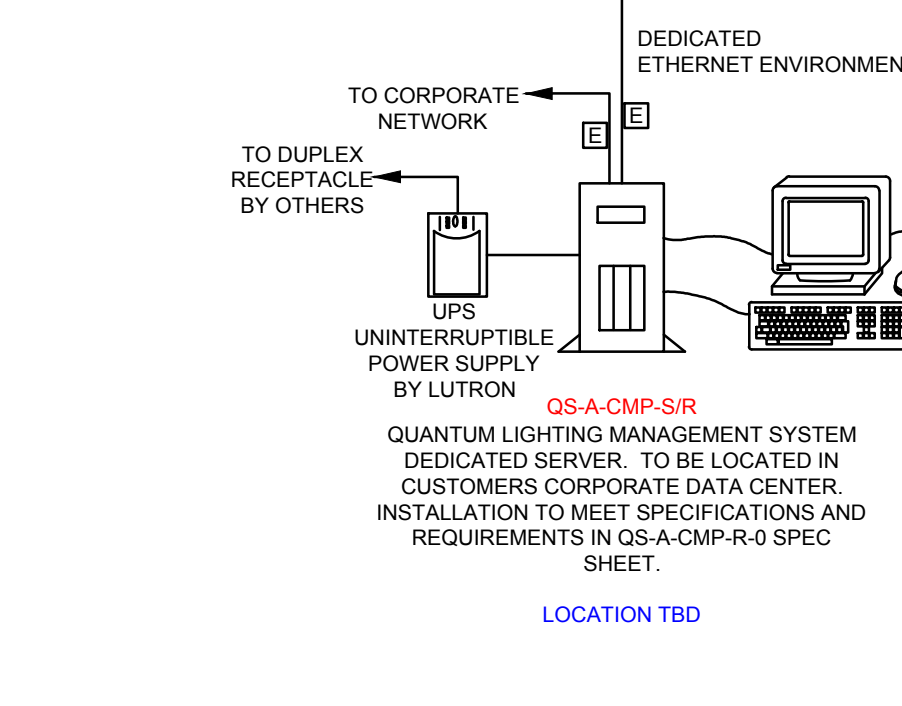
QP3-1PL-100-240



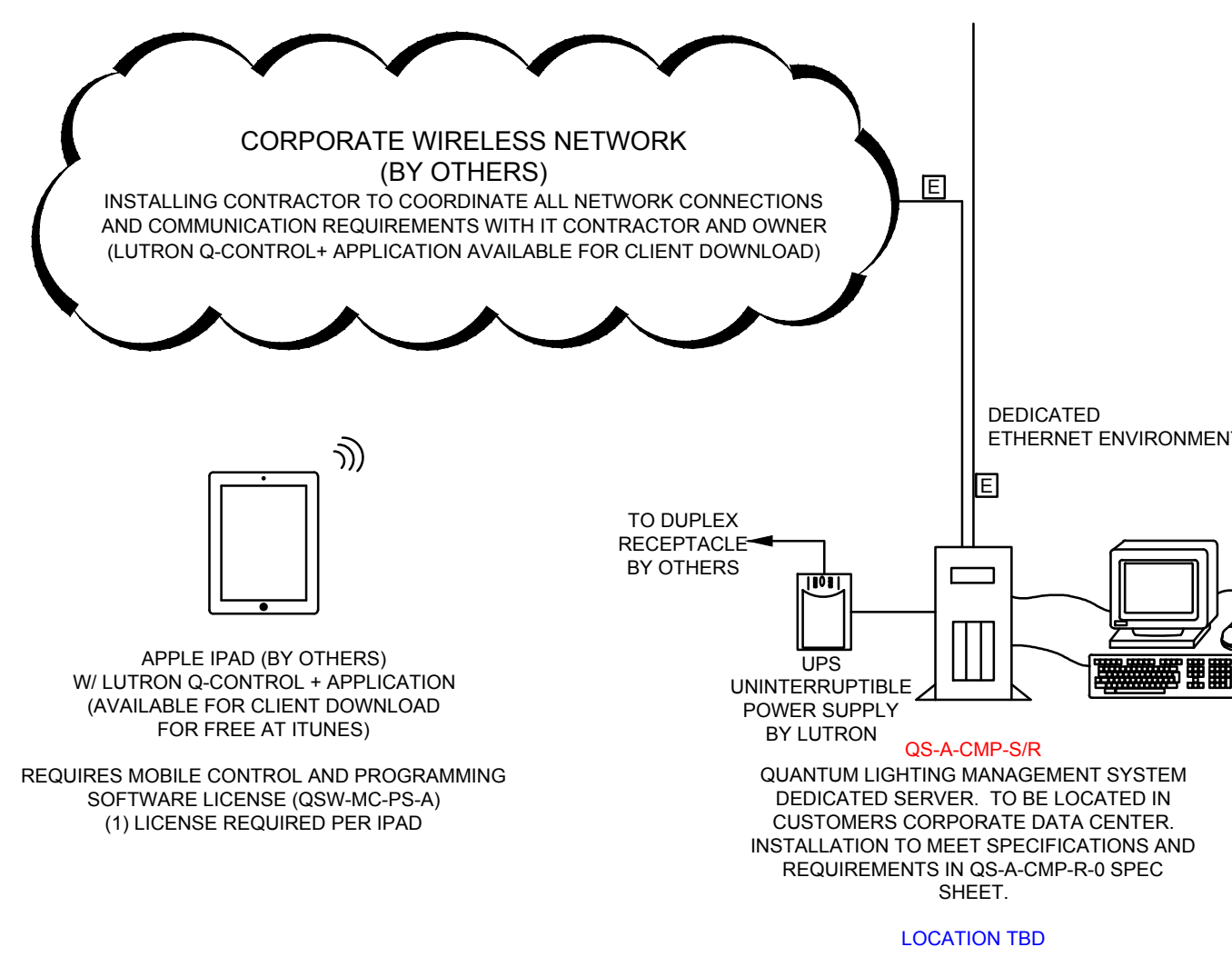
QS-A-CMP-SBO-0 SERVERS



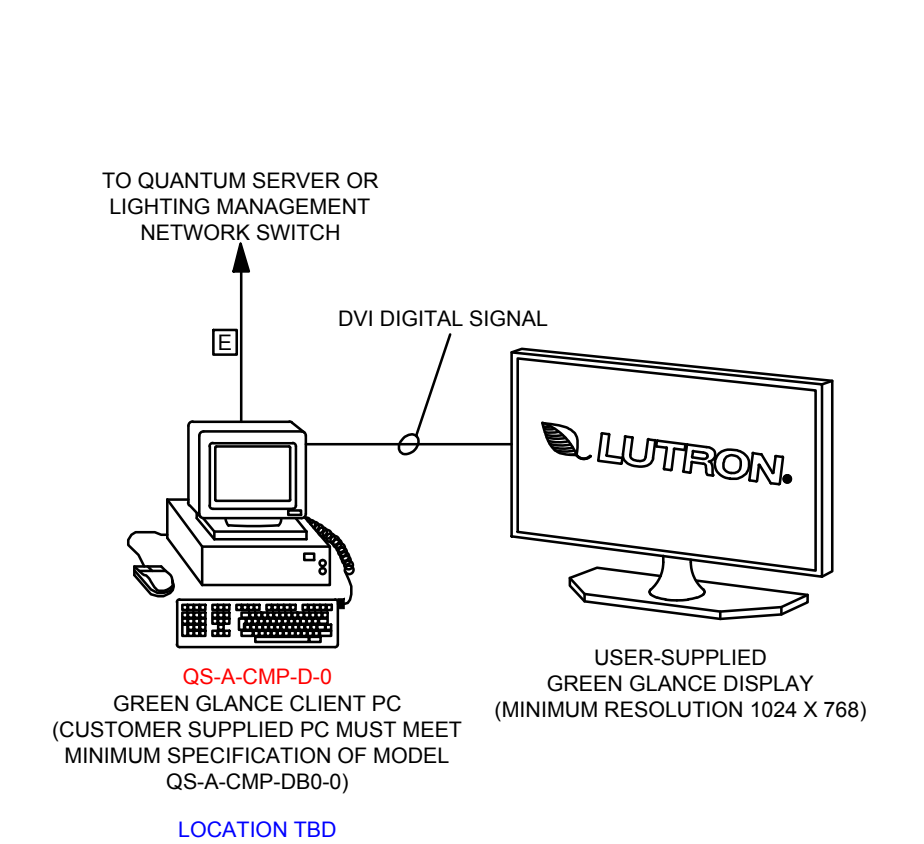
QS-A-CMP-S/R SERVERS



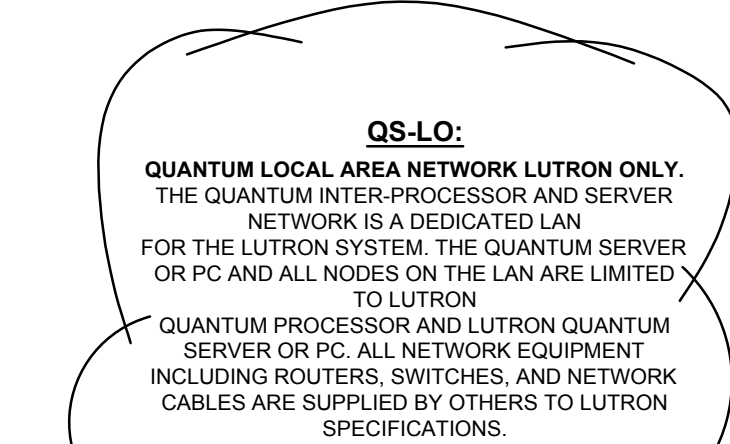
SERVER WITH APPLE IPAD CONTROL



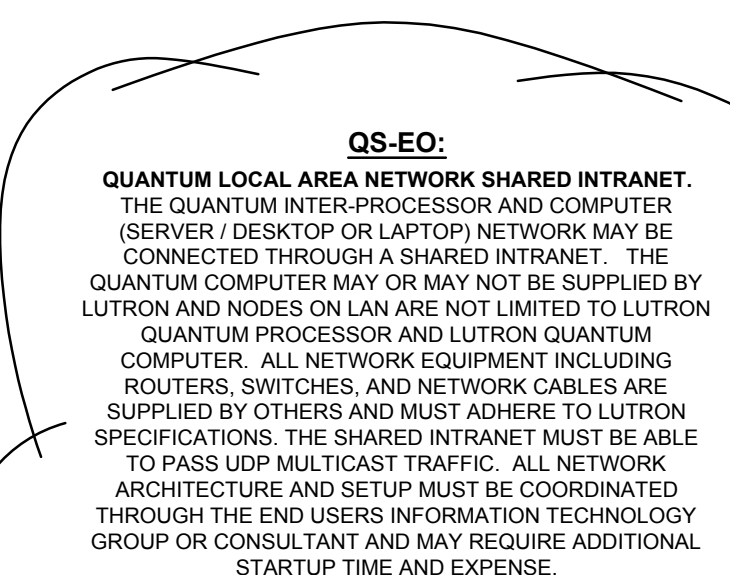
Green Glance PC and Display



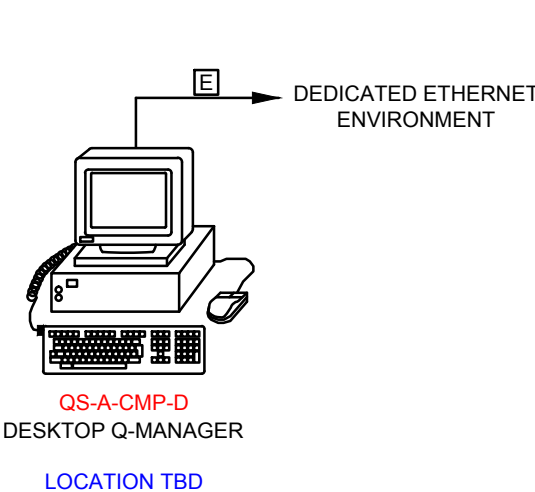
QS-LO



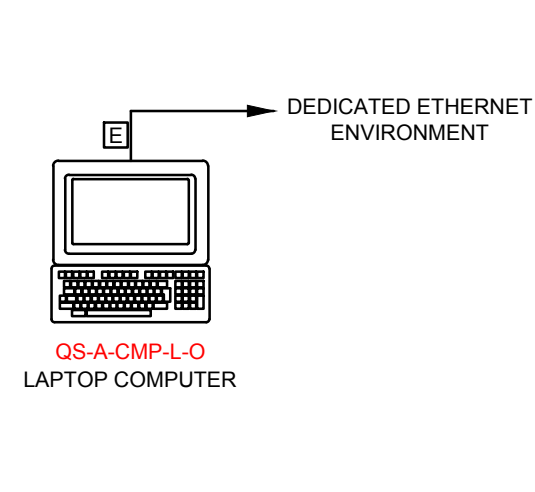
QS-EO



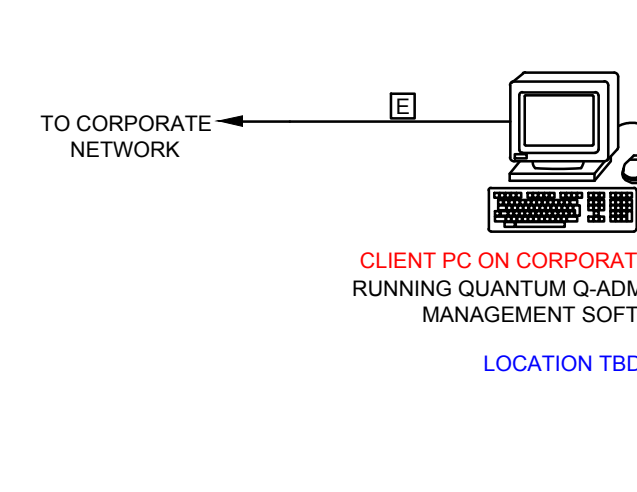
QS-A-CMP-D



QS-A-CMP-L-0



USER INTERFACE



SERVERLESS IPAD CONTROL

