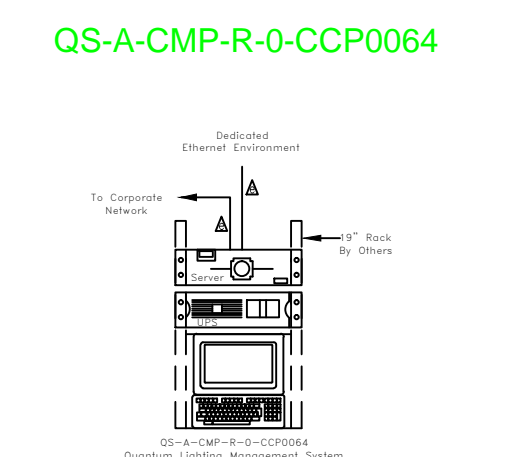
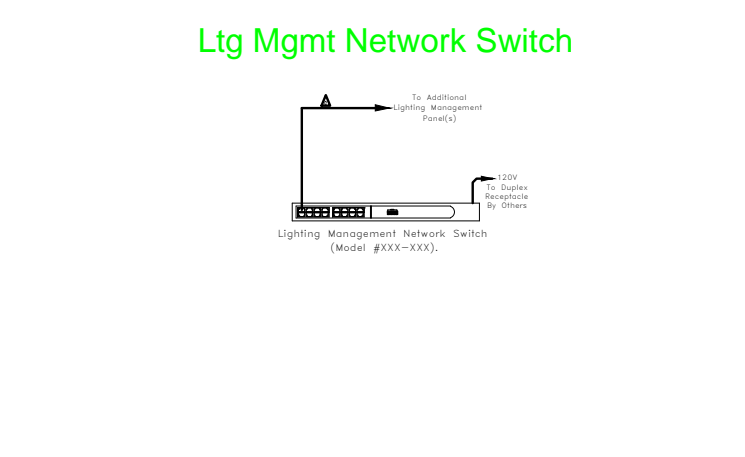
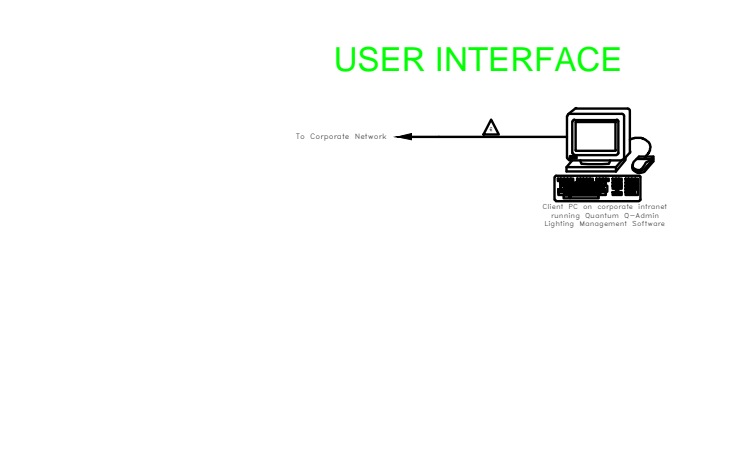
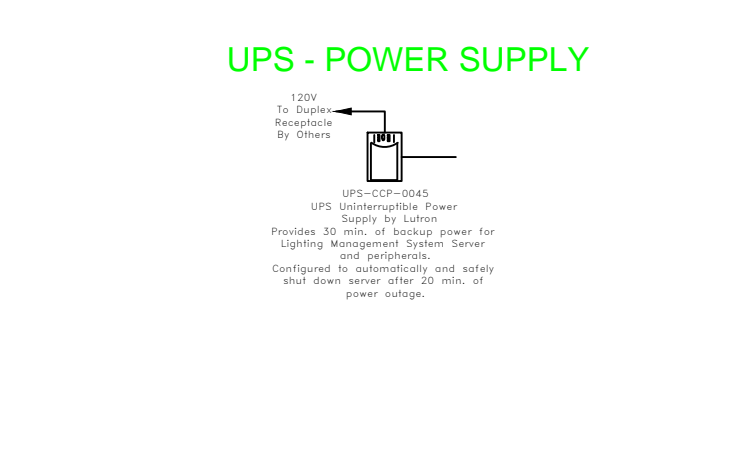
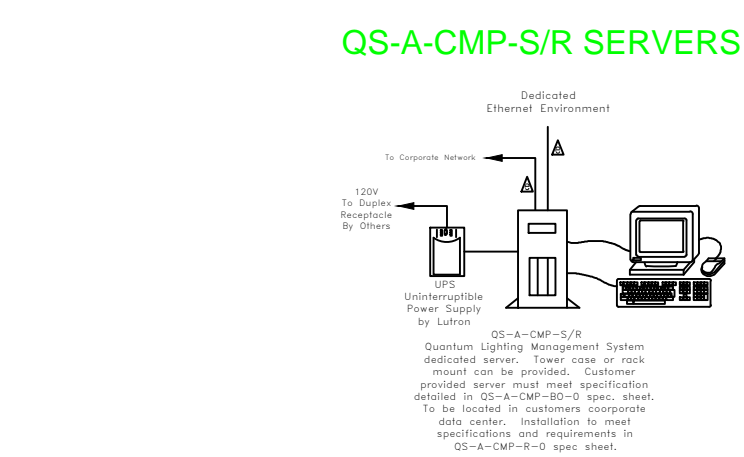
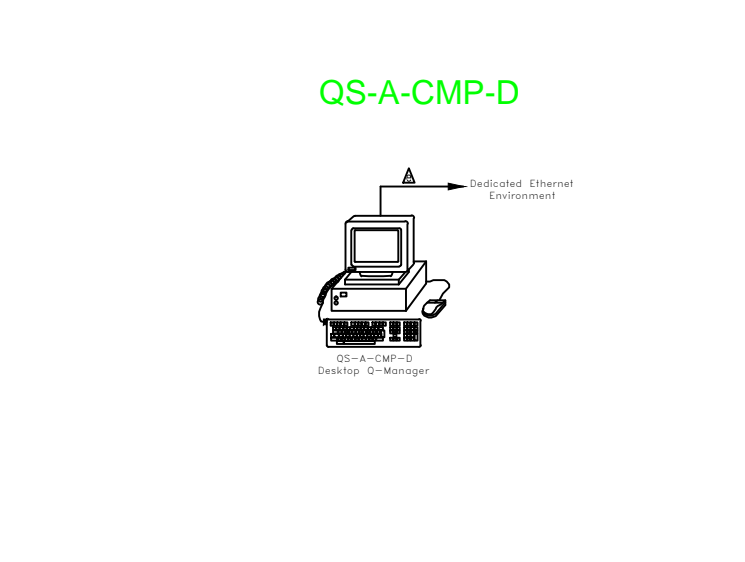
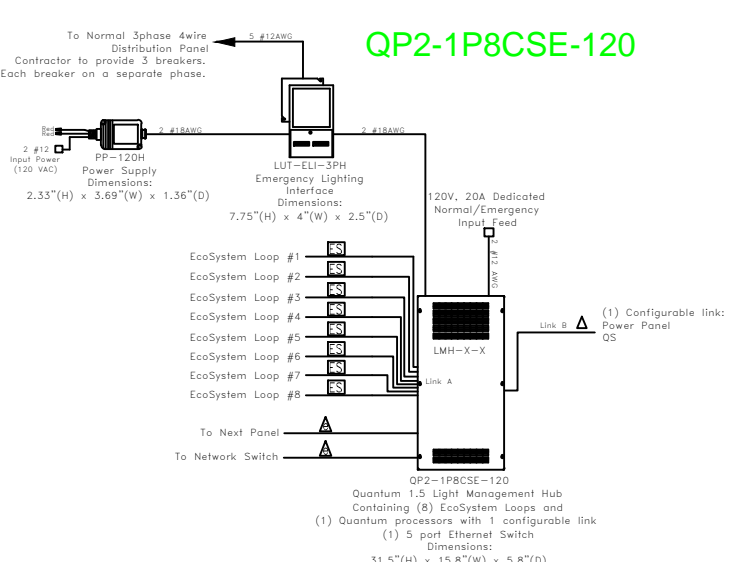
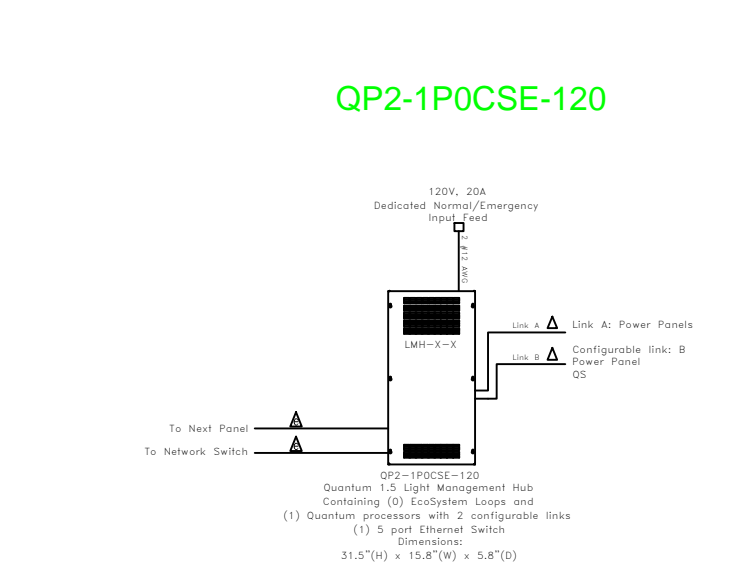
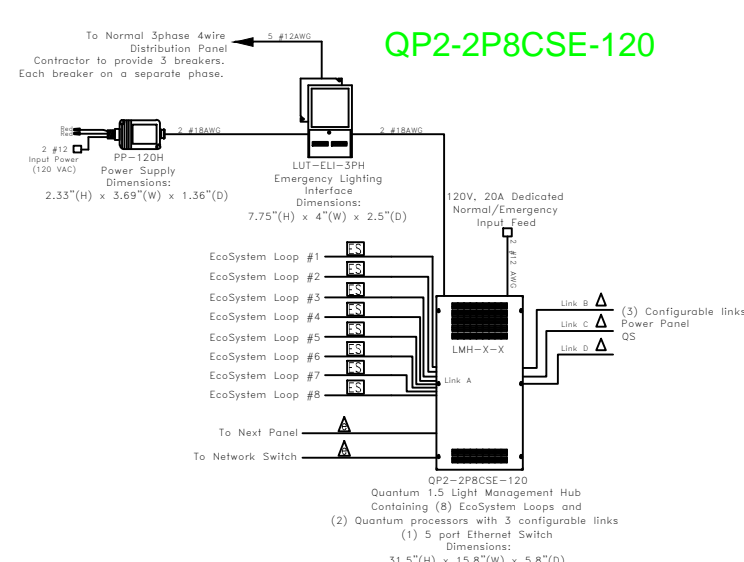
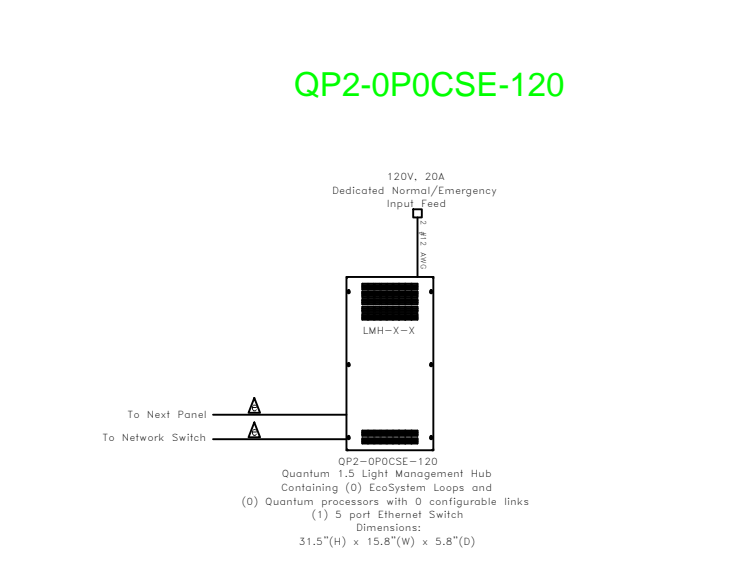
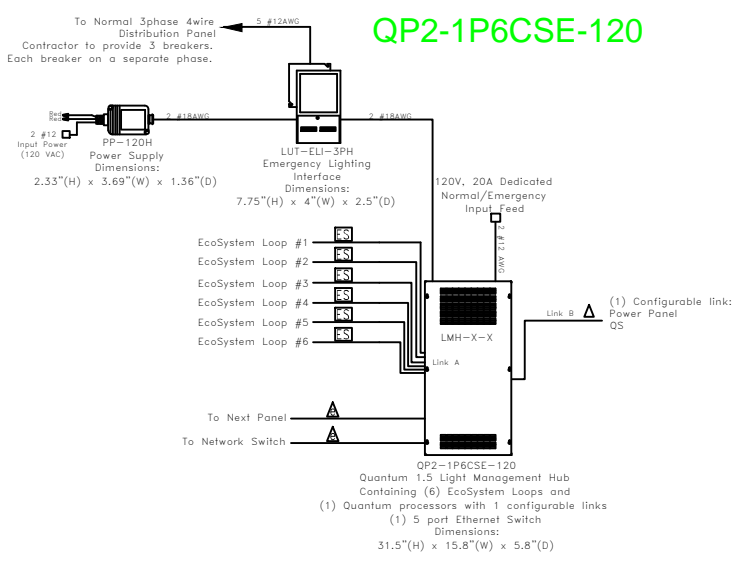
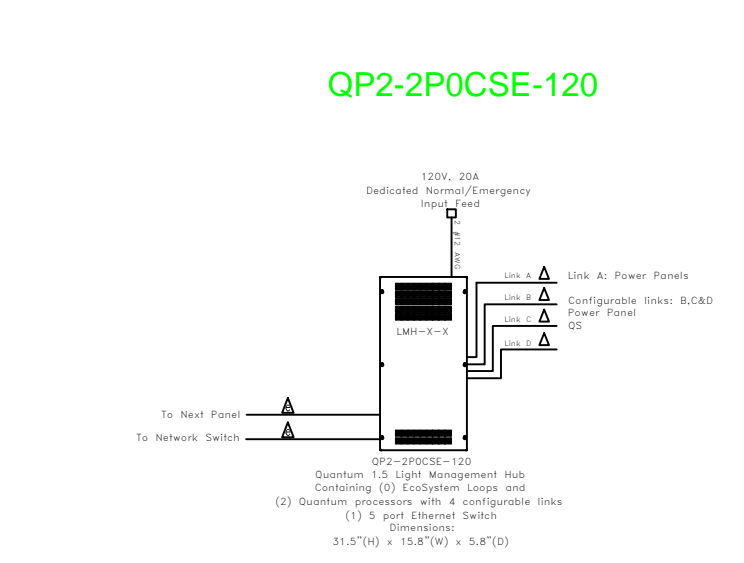
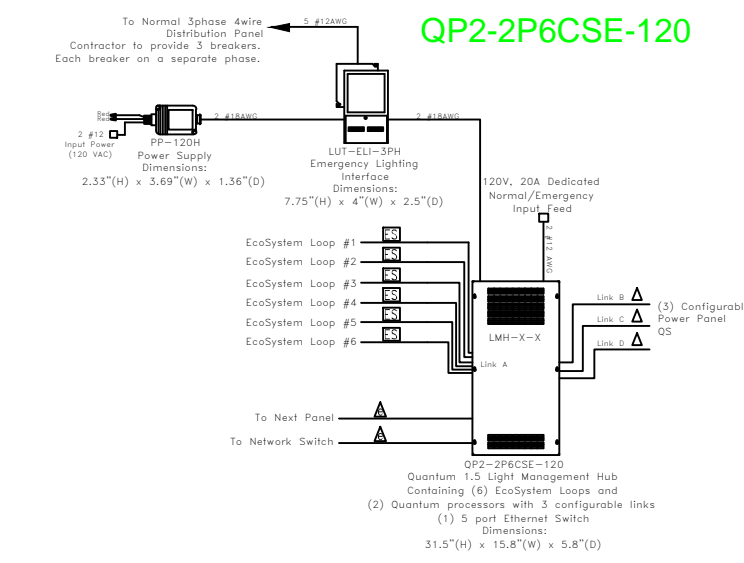
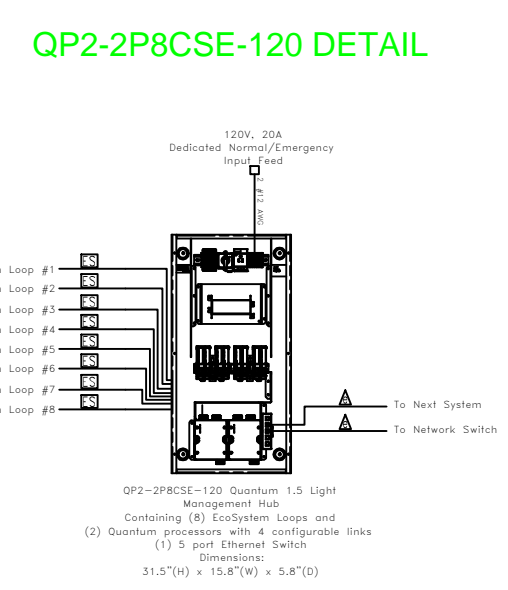
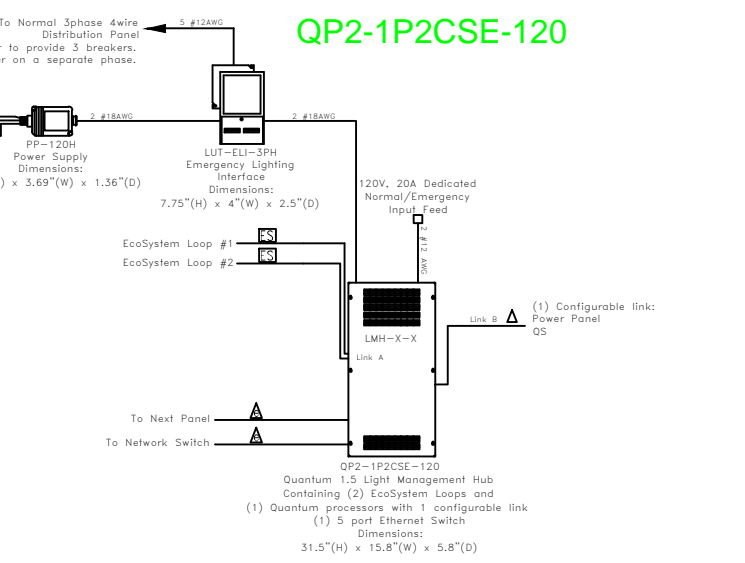
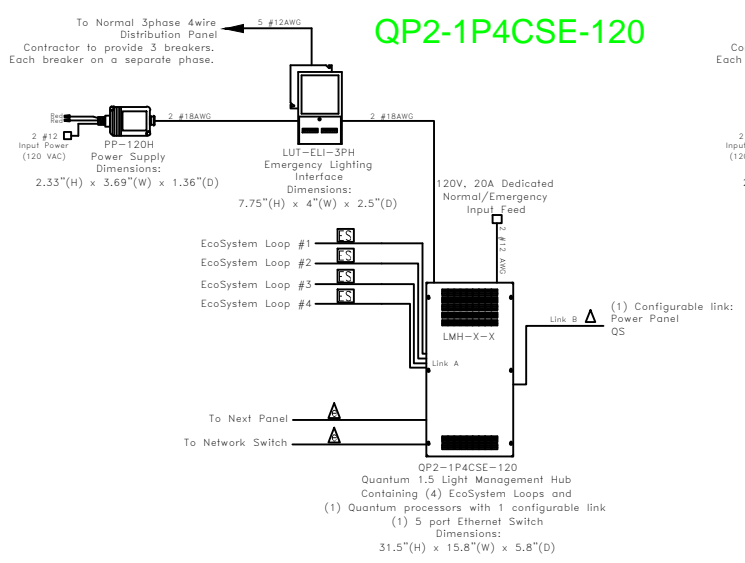
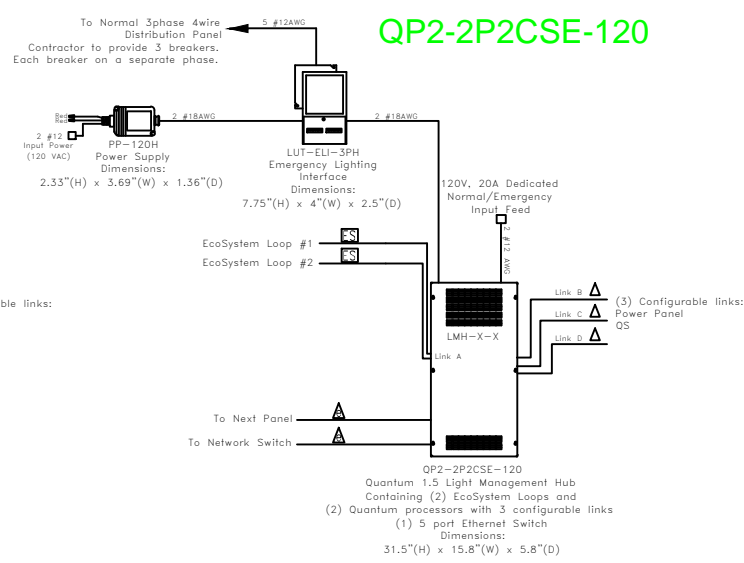
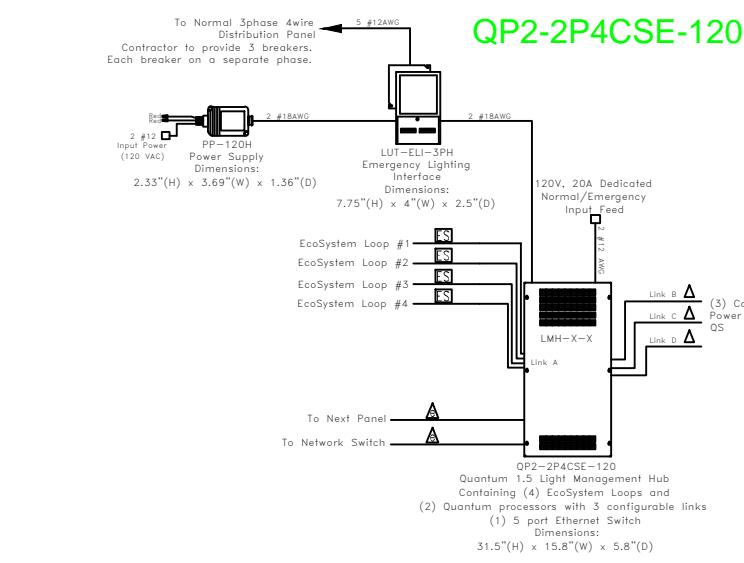


QUANTUM 1.5.slb



WIRING NOTES

- WIRING NOTES:**
- ▲ Lutron cable QP2-CBL-400 (5 Conductor Non-Plenum) or 2 #12 AWG (2.5mm²), 1 Braid #8481 and between points add 1 #16 AWG (1.0mm²) for emergency sensing.
 - #12AWG (2.5 mm²)
 - #12AWG (2.5 mm²)
 - EcoSystem Bus Lutron cable C-216-DR-1 (2 #16 Conductor Non-Plenum) or C-PCB-216-CL-1 (2 #16 Conductor Plenum rated). Otherwise use 2 #16 AWG by others.
 - ▲ CAT5e or better cable for dedicated Lutron network terminated with RJ45 connectors (to be provided by others). 328 feet (100m) maximum run.
 - ▲ Fiber optic cable for dedicated Lutron network terminated with appropriate Fiber Optic Connectors (to be provided by others). Note: Requires Dedicated Fiber Optic Link (2 strands of single-mode fiber).

SENSOR PLACEMENT NOTE

****IMPORTANT NOTE REGARDING SENSOR PLACEMENT****
THE OCCUPANCY SENSORS & DAYLIGHT SENSORS ON THIS ECOSYSTEM LOOP LAYOUT WERE NOT PLACED BY LUTRON. THIS ECOSYSTEM LOOP LAYOUT ONLY SHOWS THE CONNECTION OF THE SENSORS TO THE APPROPRIATE ECOSYSTEM COMPONENT. THE EXACT LOCATION OF THE SENSORS SHOULD BE DETERMINED BY FOLLOWING THE LUTRON SPECIFICATION SHEETS AND THE INSTALLATION INSTRUCTIONS.

QS Link Controls

- QS LINK CONTROLS**
- ES Lutron Part: LOS-C01-XXXX-WH: Dual Technology Ceiling Mount Sensor. Provides power from a power pack and wire signal to a QS-IO unit.
 - OS Lutron Part: LOS-C01-2000R-WH: Dual Technology Ceiling Mount Sensor. Provides power from a power pack and wire signal to a QS-IO unit.
 - PS Lutron Part: PP-120H or PP-277H: Power Pack Provides power to Lutron occupancy sensors in the switching areas. Located in Electrical Closets.
 - IS Lutron Part: OSE-IO: Provides 5 contact inputs to receive signals from occupancy sensors, daylight sensors, etc. in the switching areas.
 - DS Lutron Part: OSW2-2B-WH: OS wall control with 2-Buttons for ON / OFF. Installation recalls lighting presets for any group of lights in the system.
 - ES Lutron Part: OSW2-5BL-WH: OS wall control with 5-Buttons, raise and lower for control of a screen plus OFF. Installation recalls lighting presets for any group of lights in the system.
 - FS Lutron Part: OSW2-7B-WH: OS wall control with 7-Buttons, for control of 6 screens plus OFF. Installation recalls lighting presets for any group of lights in the system.
 - RSX Lutron Part: OSE-CI-NWK-E: OS interface to communicate via TCP/IP or RS232 with AV systems.

EMERGENCY FUNCTION NOTE

EMERGENCY FUNCTION
When normal power loss is detected by the LUT-ELU-3PH, a signal will be sent to the Quantum link relay located in the Light Management Hub. All Ecosystem ballasts that have emergency power will go to their emergency state.