

RadioRA® Integration with NetStreams® DigiLinX™

Overview

The combination of the Lutron® *RadioRA* lighting control system and *NetStreams DigiLinX* IP-Based Audio and Control system are a powerful solution for customers wishing to control lighting, audio, and other home devices from an intuitive touchpanel. This application note details the connections and required configuration between the *Lutron* and *Netstreams* systems.

Required Components

Before you can begin using the *DigiLinX* system, you need to update the firmware on the *ControlLinX*™ and set up/program the *RadioRA* system. The RS232 Interface (RA-RS232) or *Chronos*™ System Bridge and Timeclock (RA-CHR-SBT) must be installed and Phantom Buttons programmed for the *DigiLinX* to access them. Refer to the RS232 Interface Setup and Installation Guide (P/N 044-005) or the *Chronos* Setup and Installation Guide (P/N 044-037) for more information.

To integrate the *DigiLinX* system with the *RadioRA* system you must have at least the following:

- *RadioRA* system installed and configured with Phantom Buttons
- A *DigiLinX* system with a *ControlLinX* dedicated to *RadioRA*
- *TouchLinX*™ (or other browser-based interface)
- 3.5 mm phono to DB-9 RS-232 communications cable (supplied with *ControlLinX*)
- DB-9 male-to-male gender changer for the RS232 communications cable
- *DigiLinX* Dealer Setup software version 1.60 or higher (installed and running)

RS232 Interface and Chronos Flow Control Setup

The RS232 settings for the RS232 Interface and *Chronos* are set to the following defaults:

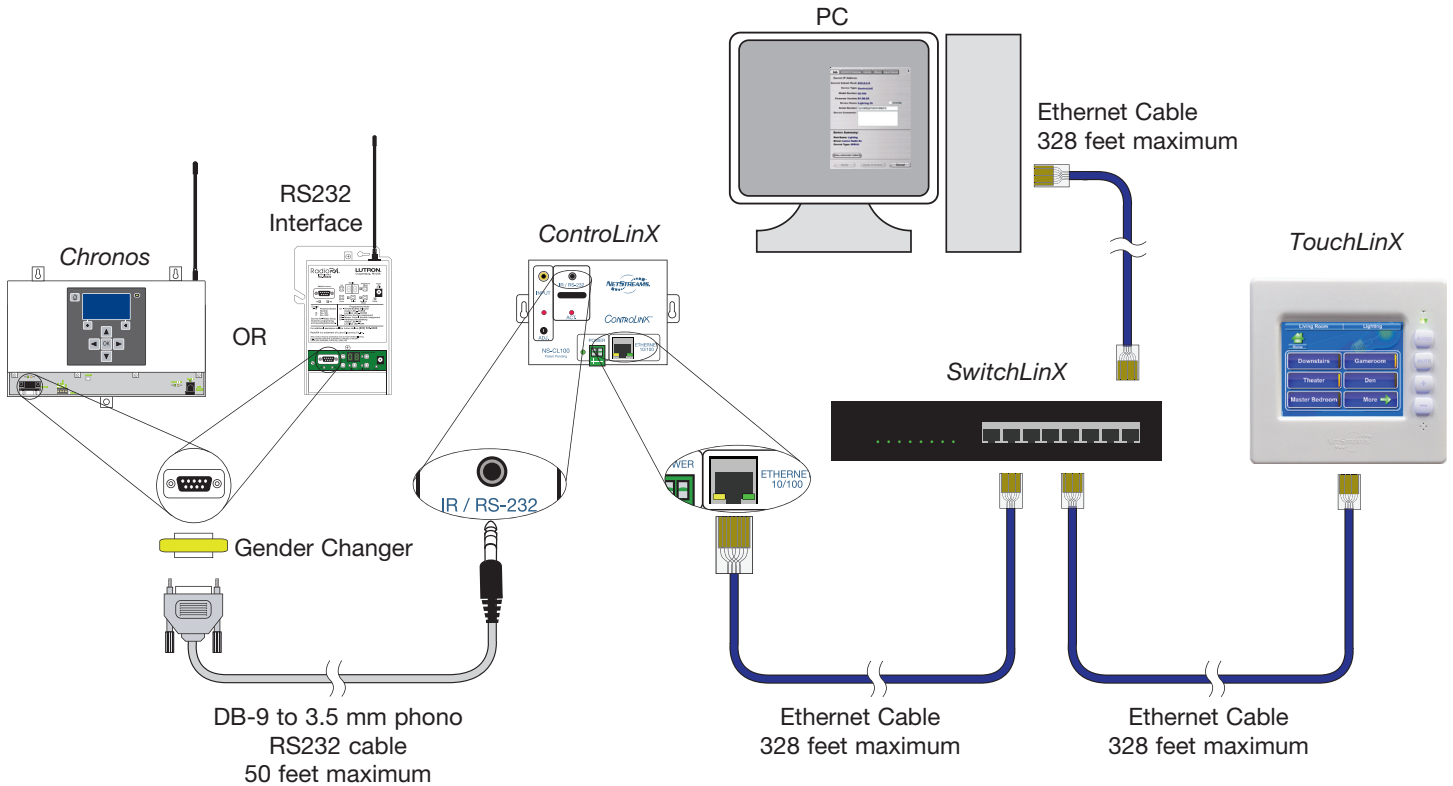
Baud Rate: 9600
Flow Control: None

To check or change baud rate or flow control settings, refer to the RS232 Interface Setup and Installation Guide (P/N 044-005) or the *Chronos* Setup and Installation Guide (P/N 044-037).

RadioRA® Application Note #183:
RadioRA Integration with NetStreams® DigiLinX™

Connections

1. Attach the male-to-male gender changer to the DB-9 connector on the RS-232 communications cable (supplied with ControlLinX™).
2. Connect the cable (DB-9) to the RS232 port on the Chronos™ or RS232 Interface.
3. Connect the 3.5 mm phono connector of the RS232 cable to the *ControlLinX*.
4. Plug one end (RJ-45) of a standard Ethernet cable into the Ethernet port on the ControlLinX, and plug the other end into one of the ports on a SwitchLinX™.
5. To use the DigiLinX Dealer Setup Program, plug one end (RJ-45) of a standard Ethernet cable into one of the ports on a *SwitchLinX*, and plug the other end into the Ethernet adapter on a PC.



DigiLinX Dealer Setup Program

Using the *DigiLinX* Dealer Setup program, you can enter information about the *ControlinX* device you are configuring.

1. With the *ControlinX* connected to the *RadioRA* system, and a PC connected to the *DigiLinX* system, start the Dealer Setup program.
2. Create a new project or open an existing project.
3. Add or select a *ControlinX* that will be configured for the *RadioRA* system. When adding a *ControlinX*, make sure to choose **Lutron RadioRA** in the Driver list. If the **Lutron RadioRA** driver was not selected when the *ControlinX* was added, the driver can be selected under the **IR/RS232 Settings** tab.
4. The **Info** tab for the *ControlinX* hosting a *RadioRA* system displays in the right window pane (see Figure 1).

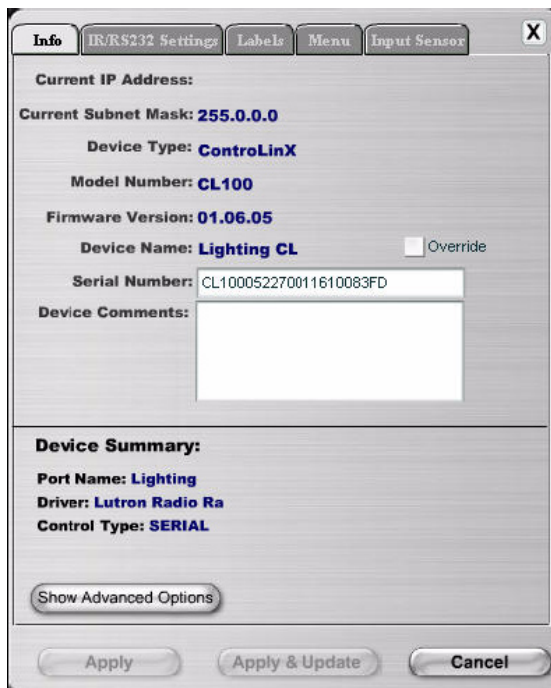


Figure 1 *ControlinX* Info tab

The Info tab contains all of the information for the designated *ControlinX*.

5. Enter any comments for the device in the Device Comments field.
6. Click Apply.

Assigning Phantom Buttons in Dealer Setup

Use the fields under **Button Label** to provide descriptive names for each of the Phantom buttons.

1. From the selected ControlLinX™, click on the **Labels** tab.
The **Labels** tab for the *ControlLinX* hosting a *RadioRA* system displays in the right window pane (see Figure 2).

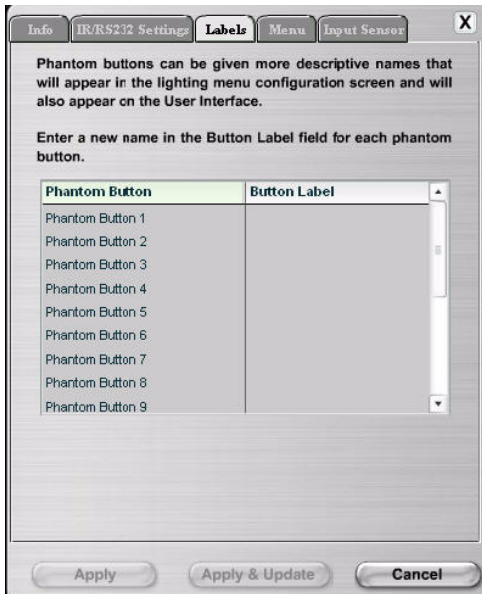


Figure 2 Labels tab for the ControlLinX hosting a RadioRA System

2. Click on the fields under **Button Label** to enter descriptive names for each of the Phantom buttons (see Figure 3). These descriptive names will appear on the TouchLinX™ user interface (or other browser-based user interface) used to control the *DigiLinX* system.

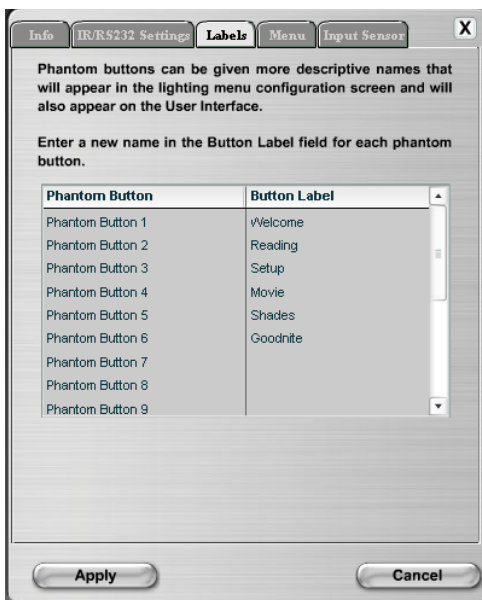


Figure 3 Button Labels entered

3. Click Apply.

Assigning Phantom Buttons in Dealer Setup - continued

4. Select the **Menu** tab.

The **Menu** tab for the ControlLinX™ hosting a *RadioRA* system displays in the right window pane (see Figure 4). The **Menu** tab allows you to determine what order the scenes (phantom buttons) are presented on the lighting menu in the TouchLinX™ user interface (or other browser-based user interface) for each room.

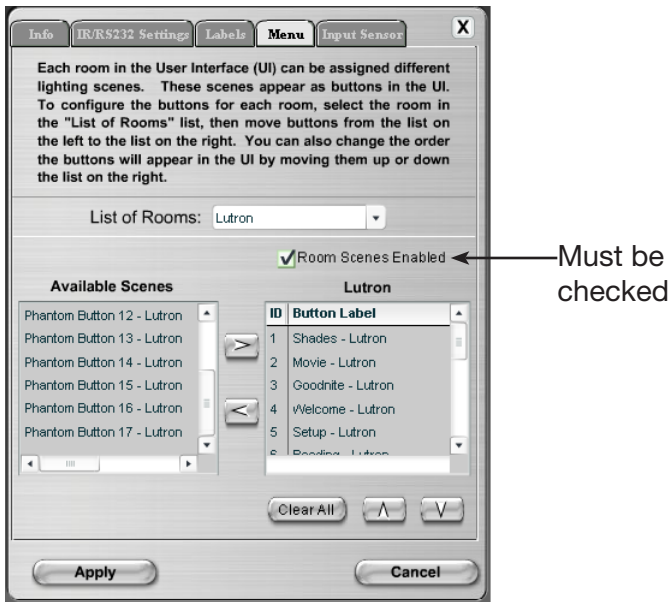


Figure 4 Menu tab for the ControlLinX hosting a RadioRA System

5. Each room in the user interface can be assigned different lighting scenes. These scenes appear as buttons in the user interface. To configure buttons, select a room under the **List of Rooms** drop-down menu.
6. Select a scene from the **Available Scenes** list.
7. Use the right arrow button to move the scenes into the room. You can add up to 17 scenes for each room. If you need to remove a scene, use the left arrow button.
8. Use the up and down arrow buttons located under the room listing to adjust the order in which the scenes are presented.
9. Click Apply.
10. Make sure the **Room Scenes Enabled** checkbox is checked.
11. Click the **Send Configuration Files** button to send the configuration to the *ControlLinX* and other *DigiLinX* devices.

Validating the Installation

After all configurations are updated, use a TouchLinX™ or web browser to validate the installation.

1. Click the Lighting button on the *DigiLinX* user interface.
2. Click one of the scene buttons you set up in an earlier step.
3. Ensure that the lighting scene you selected is activated by the button you pressed.

Additional Information

Lutron World Headquarters

Lutron Electronics Co., Inc.

7200 Suter Road

Coopersburg, PA 18036-1299, U.S.A.

TOLL FREE: +1.800.523.9466 (U.S.A., Canada and the Caribbean)

Tel: +1.610.282.3800

Fax: +1.610.282.3090

Web: www.lutron.com

NetStreams World Headquarters

NetStreams LLC

3600 W. Parmer Lane, Suite 100

Austin, TX 78727, U.S.A.

TOLL FREE: +1.866.353.3496 (Technical Support)

Tel: +1.512.977.9393

Fax: +1.512.977.9398

Web: www.netstreams.com