

SQR-Q30A20 2.5" Roller

The Sivoia Quiet Electronic Drive (QED) 2.5" roller shade utilizes the nearly silent QED Electronic Drive Unit (EDU). The Sivoia EDU is housed inside the roller shade assembly and controls the movement of the shade, keeps track of the shade's position, and adjusts the shade to the user's desired preset positions.

Features

- Ultra-Quiet operation: will not exceed 44dBA measured 3' from the EDU.
- Shades move in perfect unison and exact alignment within 1/8" accuracy at all times.
- Smooth, silent starts and stops.
- Offers programmable stop points. The EDU tracks the position of the shade and is able to adjust it to predetermined locations at the touch of a button.
- Provides maximum window coverage with the smallest possible light gaps, 3/4", between the shade fabric and the window frame.
- Easy-to-read and easy-to-use controls are immediately understood.
- Optional infrared system provides easy, convenient control from anywhere in the room.
- Integrates with Lutron Lighting control systems and other A/V equipment.
- Does not require group controls or relay systems to create shade groups and sub-groups.
- Can be installed easily in any new construction or retrofit application.
- 24 VAC low-voltage power allows Sivoia QED to be installed by low-voltage contractors.
- Ten year power failure memory.



Sivoia QED 2.5" Roller Shade

Job Name:	Model Numbers:
Job Number:	

Specifications

Power

- Operating voltage: Low-voltage type Class 2, 24 VAC – transformer required.
- One transformer is required per motor.
- One 15-amp feed can power up to 10 transformers.
- Control system components provide appropriate (spike and brownout) overcurrent protection (+/- 10% of line voltage) for all devices in the system.

System Capacity

- System allows for a total of 96 devices, including EDUs, keypads, CCIs and interfaces.
- When the number of keypads and CCIs in an installation exceeds the number of EDUs, external keypad power supplies are required.
- Maximum size of shade fabric per EDU is 100 sq.ft./100VA transformer for most standard 2.5" applications.

Performance

- System allows for symmetrical light gaps as small as 3/4" on each side. Shade edge symmetry is adjustable while the shade is installed to ensure perfect shade centering.
- Each EDU stores up to 250 presets positioned anywhere along the fabric, as well as full open and full close shade limits. Open and close limits may be recalled at the EDU. Presets can be recalled by contact closure inputs, keypads, infrared receivers, and lighting control system interfaces.
- Each EDU is capable of stopping at a resolution of 1/8" steps for the entire length of the fabric.
- Preset points can be located at any point between the open/close limits and are adjustable with a 5 second button push and hold from the keypads, infrared receivers, or contact closure boards. Keypad adjustments to preset stop points can be disabled with the "lock out" function on the EDU.
- For systems with multiple EDUs, shades smoothly move in unison and exact alignment within 1/8" accuracy at all times.
- Limits are programmable and adjustable from the drive units, wall-mounted keypads, and/or hand-held system setup tools.

Grouping

- System keypads can control any EDU, group, or subgroup without a separate group control or additional interface.
- System groups and subgroups can be reconfigured at the point of control without rewiring and without access to the EDU.
- System may contain a variation of EDUs operating roller shades, roman shades, and draperies. Controls within this system are able to operate any group or subgroup of EDUs, regardless of window treatment type.

Integration

- The shade system provides a means for the lighting control system to reflect current preset status of the shade.
- EDUs seamlessly integrate with Lutron lighting control systems including GRAFIK Eye®, HomeWorks®, RadioRA®, and RadioTouch™.
- Contact closure available to integrate with A/V equipment such as timeclocks and security systems.

Controls

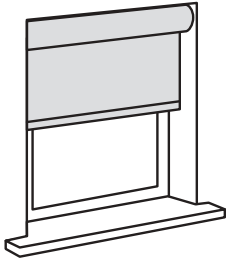
- The keypads are low-voltage and receive their power from the EDUs.
- Microprocessors are contained in both the EDU and keypad, allowing high-level programming from either source.
- Keypads are wired directly to a communication link that connects to one or more EDU, CCI, or keypad.
- IR control is available via discrete IR receivers wired directly to the EDU or QED wallstations with built-in IR receivers.

Job Name:	Model Numbers:
Job Number:	

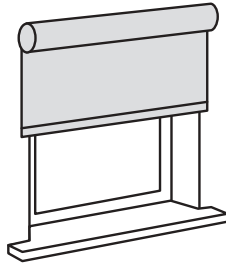
QED 2.5" Roller Shade Options

Mounting Options

Depending on window dimensions, brackets can be mounted in one of two locations:



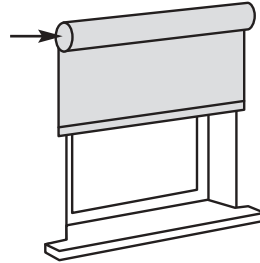
Inside mount



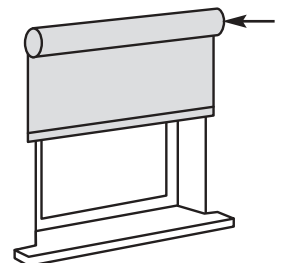
Outside mount

Drive Side Options

EDU can be mounted on the left or right end of the shade:

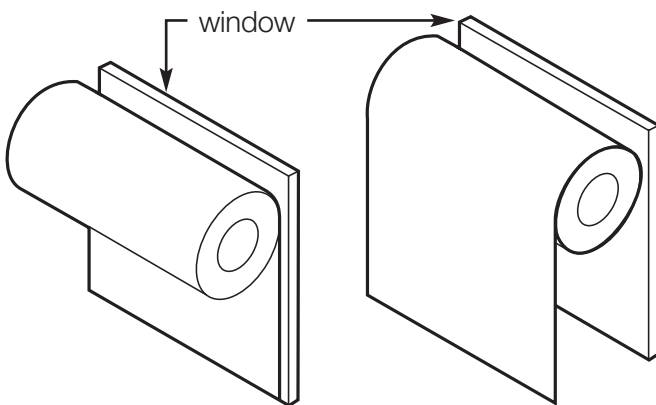


Left drive side



Right drive side

Fabric Drop Options

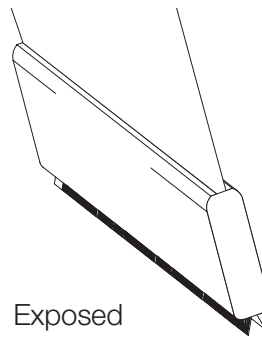


Regular roll

Reverse roll

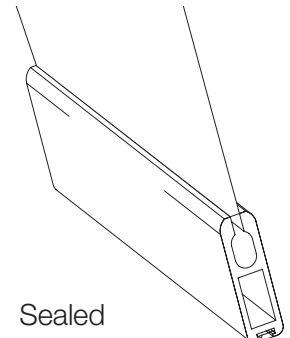
Hembar Options

The Hembar comes in two varieties to satisfy different preferences:



Exposed
available in:

- white
- bronze
- anodized
- custom color



Sealed

Fabric Drop Options

QED Roller shades are available in a wide variety of fabric types including:

- Solar Screens – Filter sunlight, UV protection, view
- Privacy – Minimal translucence, UV protection, no view
- Blackout – Total darkness, maximum UV protection, no view

For complete fabric selection, visit www.vimco.com

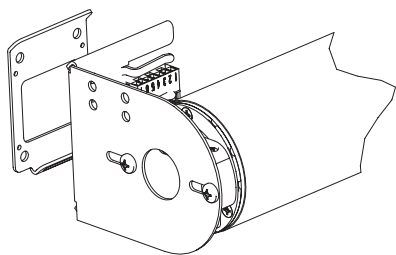
Job Name:

Model Numbers:

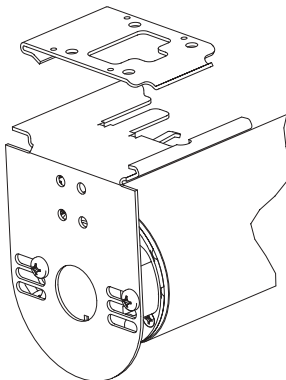
Job Number:

Bracket Options

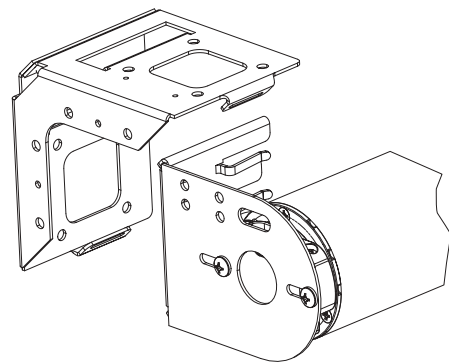
The QED uses 5 distinct bracket designs to accommodate a variety of mounting conditions:



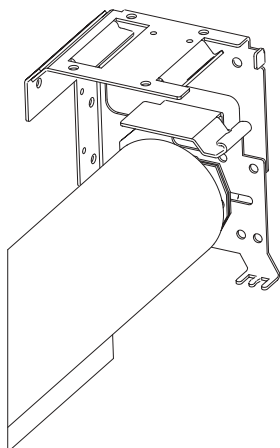
Wall mount



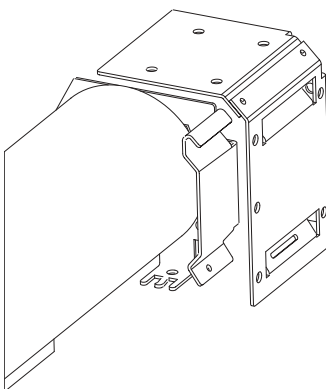
Ceiling mount



Jamb/recess mount



Fascia mount



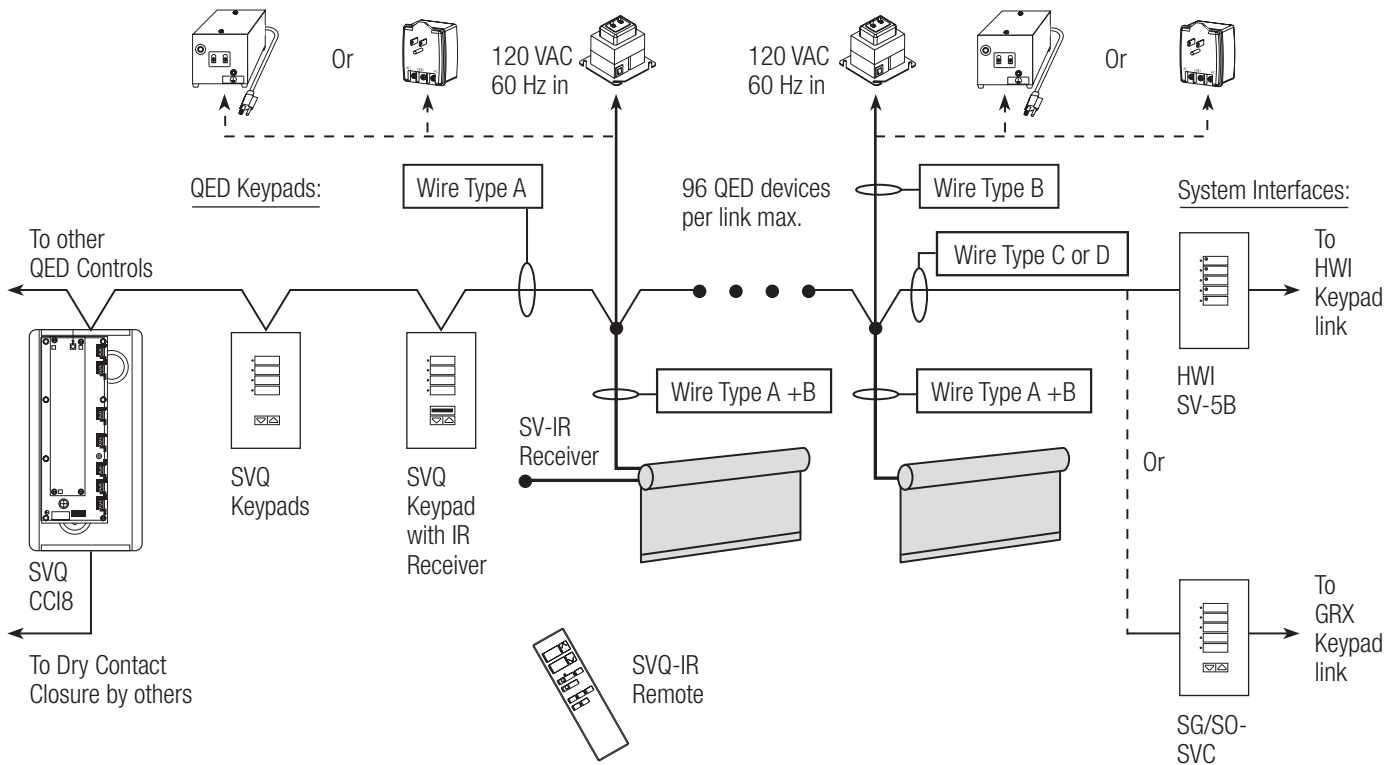
Pocket mount

Job Name:

Model Numbers:

Job Number:

QED System Wiring: Distributed Transformers



Wiring Type Key

Type A

Communications Link: 4 Conductor #18AWG (twisted and shielded)
 Maximum comm. link – 1000 feet
 Maximum Wire Length - EDU to EDU - 500 feet
 Maximum total communication link - 4000 feet

Type B

Power Supply: 3 Conductor #16-20AWG
 Maximum Wire Length - Transformer to EDU
 #16AWG - 200 feet
 #18AWG - 150 feet
 #20AWG - 100 feet

Type C

SVQ-CBL-250 (A and B combined)
 7 Conductors:
 2 #16AWG Power Supply (red, red/white)
 1 #18AWG Earth Ground (green/yellow)
 4 #18AWG Comm. link (blue, yellow, violet, gray, twisted and shielded)

Type D

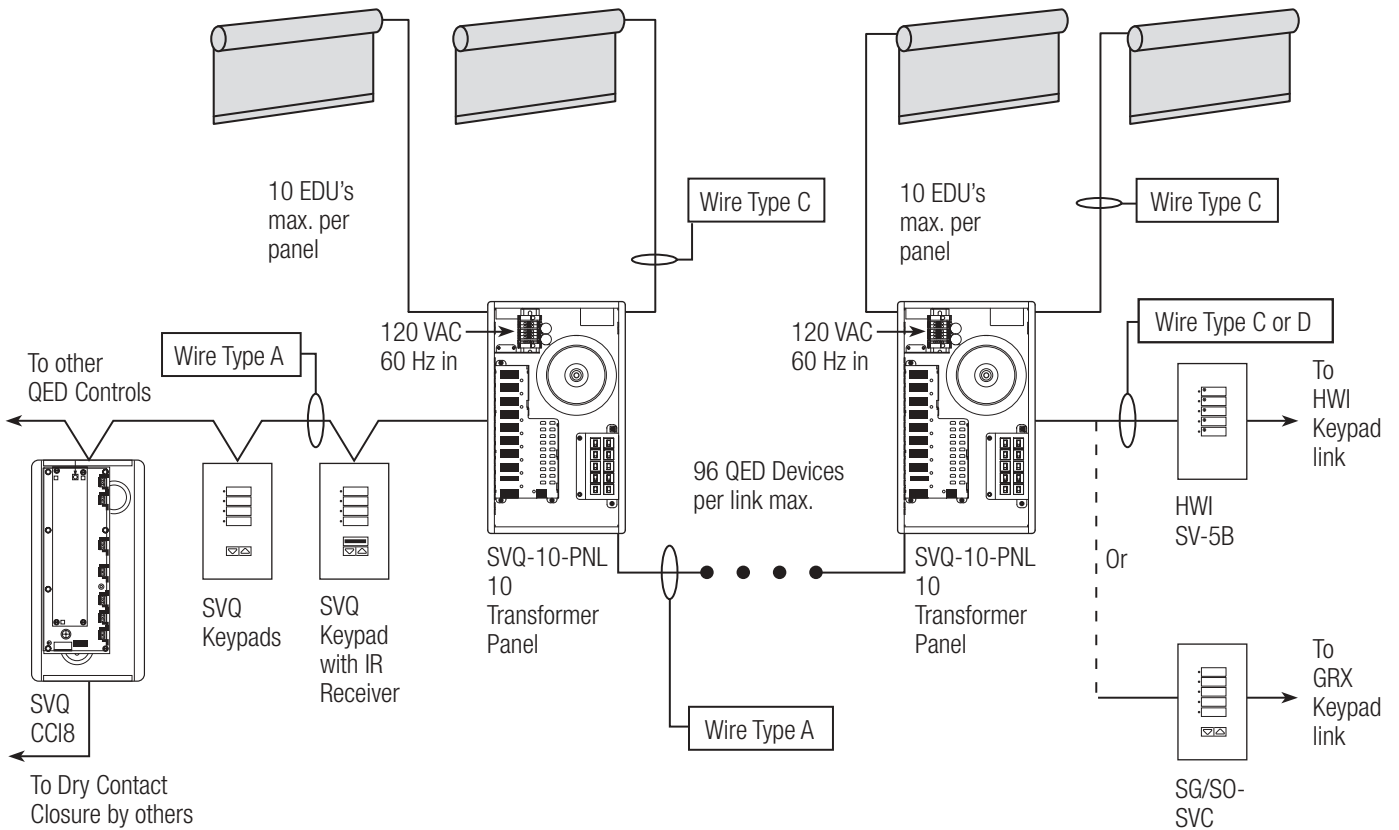
5 Conductors:
 3 #18AWG (twisted and shielded) for communication
 2 #18AWG for power

Notes:

- If the number of keypads exceeds the number of EDU's, external keypad power supplies are required
- The QED link supports a total of 96 devices including: EDU's, keypads, and interfaces

Job Name:	Model Numbers:
Job Number:	

QED System Wiring: Transformer Panels



Wiring Type Key

Type A

Communications Link: 4 Conductor #18AWG (twisted and shielded)
 Maximum comm. link – 4000 feet
 Maximum Wire Length - Transformer to EDU
 #16AWG - 200 feet, #18AWG - 150 feet, #20AWG - 100 feet

Type B

Power Supply: 3 Conductor #16-20AWG
 Maximum Wire Length - EDU to Panel
 #16AWG - 200 feet, #18AWG - 150 feet, #20AWG - 100 feet

Type C

SVQ-CBL-250 (A and B combined)
 7 Conductors:
 2 #16AWG Power Supply (red, red/white)
 1 #18AWG Earth Ground (green/yellow)
 4 #18AWG Comm. link (blue, yellow, violet, gray, twisted and shielded)
 Maximum Wire Length - EDU to Power Panel - 200 feet
 1 keypad to Power Panel - 1000 feet, 2 keypads to Power Panel - 500 feet
 3 keypads to Power Panel - 300 feet, 4 keypads to Power Panel - 200 feet

Type D

5 Conductors:
 3 #18AWG for communication
 2 #18AWG for power

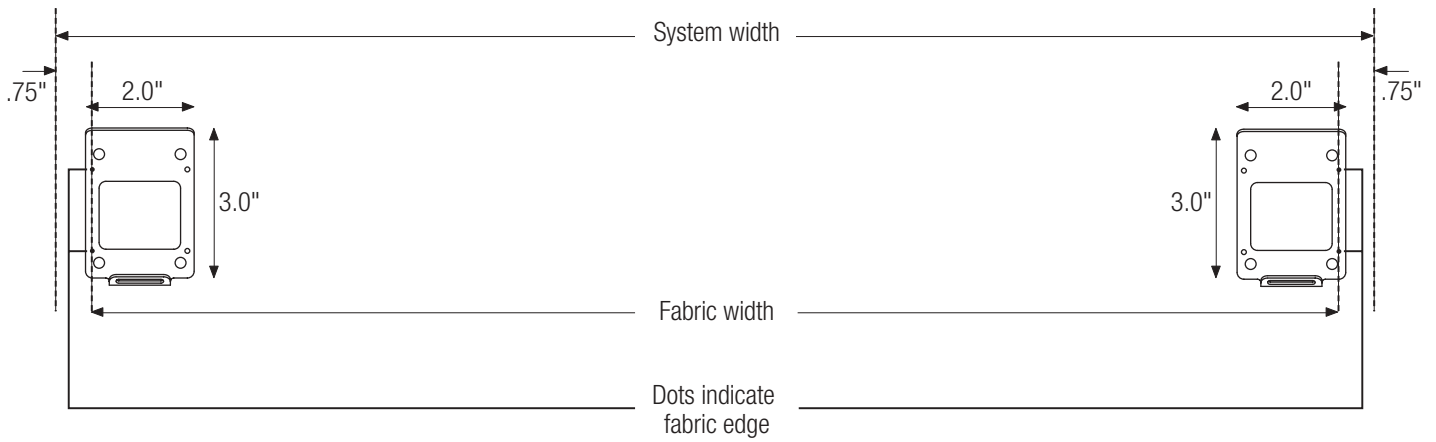
Notes:

- If Sivoia QED cable is used for keypad wiring, some conductors will be unused.

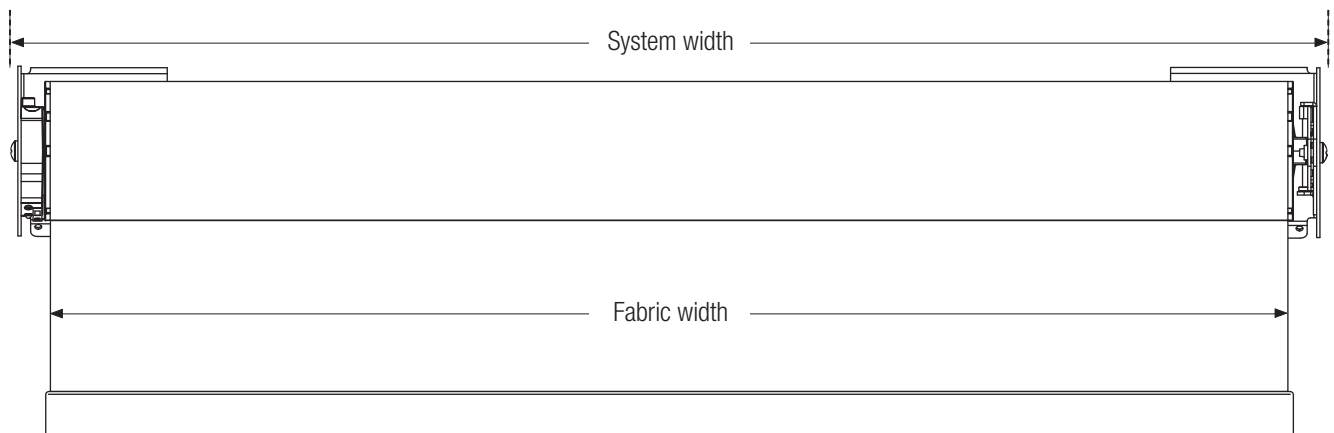
Job Name:	Model Numbers:
Job Number:	

Dimensions

Sub Brackets



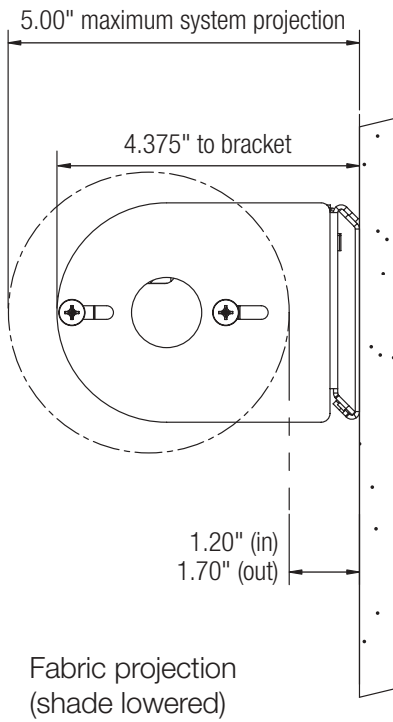
Complete Assembly



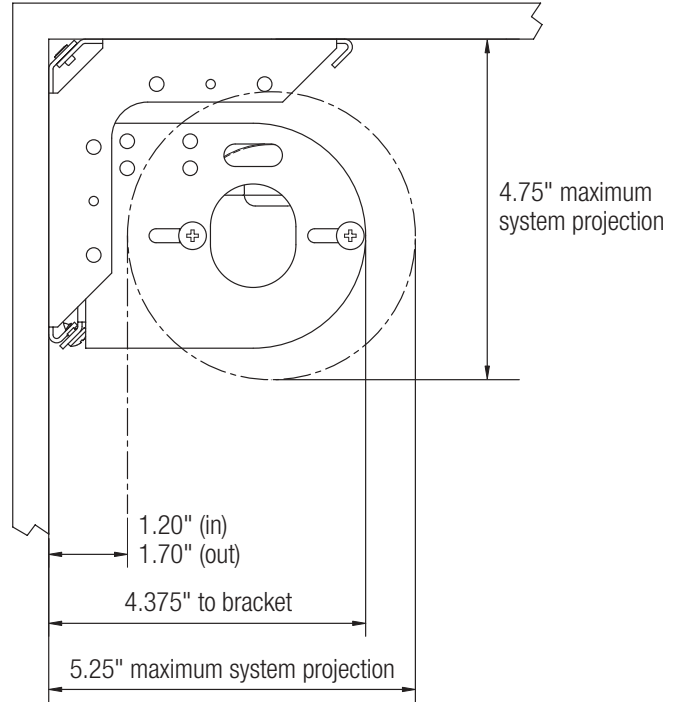
Wall brackets shown

Job Name:	Model Numbers:
Job Number:	

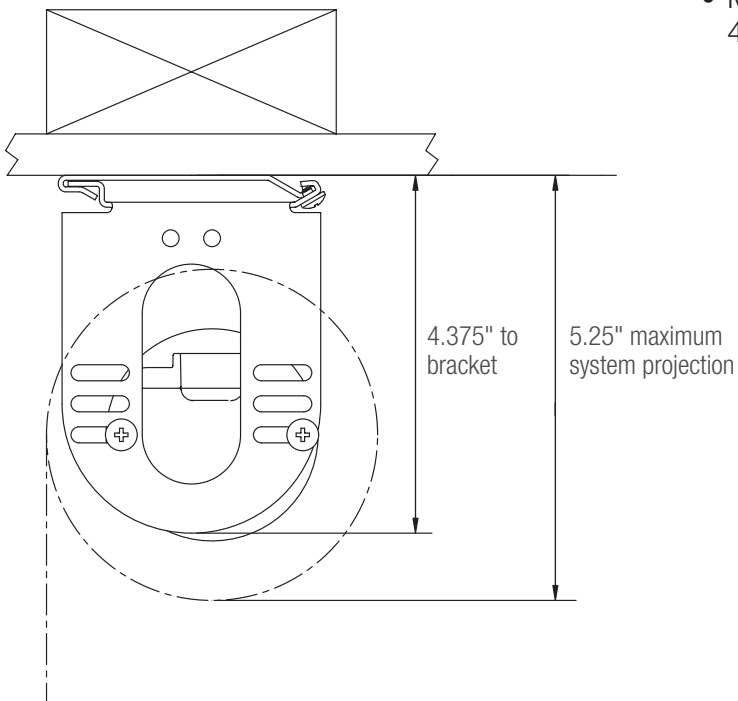
Fabric Drop Wall Mount



Fabric Drop Jamb/Recess Mount



Fabric Drop Ceiling Mount



Notes:

- Maximum system projection includes 4.00" fabric rollup

<p>Job Name:</p>	<p>Model Numbers:</p>
<p>Job Number:</p>	

Worldwide Technical and Sales Assistance

Lutron Shading Solutions by VIMCO
11520 Sun Shade Lane
Ashland, VA 23005

www.lutron.com

www.vimco.com

customer service: 1.800.446.1503

fax: 1.804.752.3366

24/7 tech support: 1.800.523.9466

email: shadinginfo@lutron.com

Limited Warranty

Lutron Shading Solutions by VIMCO offers an 8-year limited warranty for our shading systems. Please contact customer service or visit our website for a complete warranty statement.

Lutron Shading Solutions by VIMCO reserves the right to make improvements or changes to these products without prior notice. Although every attempt is made to ensure that this information is accurate and up to date, please check with Lutron Shading Solutions by VIMCO to confirm product availability, latest specifications, and suitability for your application.

These products may be covered by one or more of the following US patents:

4,803,380; 4,835,343; 4,924,349; 5,180,886; 5,671,387; 5,848,634;

6,100,659; 6,313,588; 6,346,781; 6,497,267; D310,349; D370,663;

D391,924; D422,567; D436,930; D453,742; D456,783; D461,782;

D462,332; D465,460; D465,770; D466,090; D466,091; D466,484;

D475,024; D475,025; and corresponding foreign patents. US and foreign patents pending.

<p>Job Name:</p> <p>Job Number:</p>	<p>Model Numbers:</p>
--	------------------------------