





**SV-100SF-JBOX**

**24VAC Junction Box Transformer**

Input: 120VAC, 60Hz Output: 24VAC, 3A, Class 2

**Description**

The SV-100SF-JBOX, see Figure 1, is a 24VAC, Class 2 junction box mount transformer that is used with a *Sivoia* or *Sivoia QED* motorized window shade. The transformer provides enough power for one *Sivoia* or *Sivoia QED* Electronic Drive Unit to operate a 100 square foot shade (225 square foot for a high torque Electronic Drive Unit). The transformer is designed to be mounted on a junction box in a remote location away from occupants. The transformer contains a circuit breaker on the primary side to protect the device in the event of a miswire.

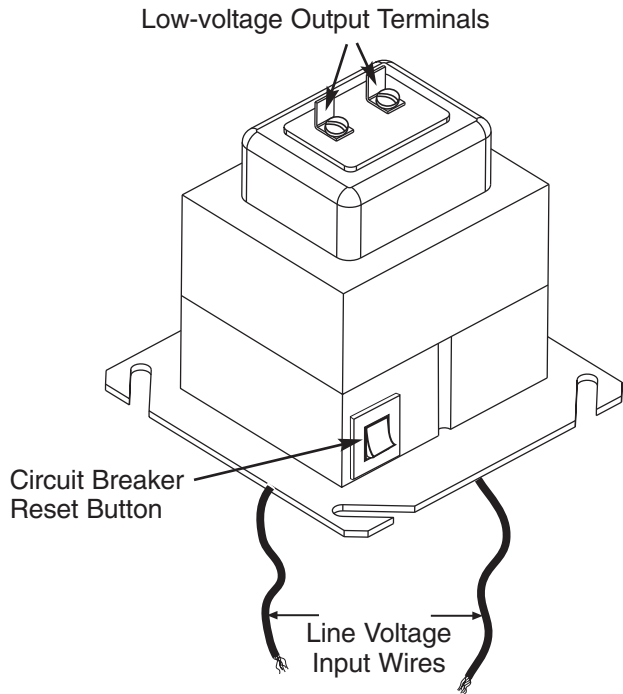
-  **Caution** - All wiring must be in accordance with national and local electrical codes.
-  **Danger** - Locate and lock supply breaker in the OFF position before wiring.
-  **Caution** - Do not short the output AC terminals.
-  **Caution** - Ensure that the earth ground is connected to the *Sivoia* or *Sivoia QED* Electronic Drive Unit.

**Installation**

**Note:** Each transformer can power only *one* *Sivoia* or *Sivoia QED* Electronic Drive Unit.

1. **Turn power OFF at the circuit breaker.**
2. **Run 120V power wiring to the transformer.** Run 120V power wiring through the junction box that the transformer will be mounted on. Connect the hot and neutral wires of the 120V power wiring to the two black primary wires of the transformer. Use appropriate wire connectors to securely fasten and protect the wire connections. Connect earth ground to the junction box. See Figure 2.
3. **Mount the transformer to the junction box.** Align the 4" by 4" metal plate on the junction box opening so that the slots line up with the screw holes. Fasten the transformer plate to the junction box by using appropriate screws through the slots and junction box screw holes.
4. **Run 24V power wiring to the transformer.** Run the low-voltage power wiring from the Electronic Drive Unit to the quick connect tabs on the secondary side of the transformer. Use quick connect lugs on the low-voltage power wiring to properly connect the wiring to the transformer tabs. Connect the earth ground wire from the Motor Drive Unit to the grounded junction box.
5. **Restore power.** **Note:** If the Electronic Drive Unit does not power up after restoring power to the transformer, press the circuit breaker reset button located on the transformer.

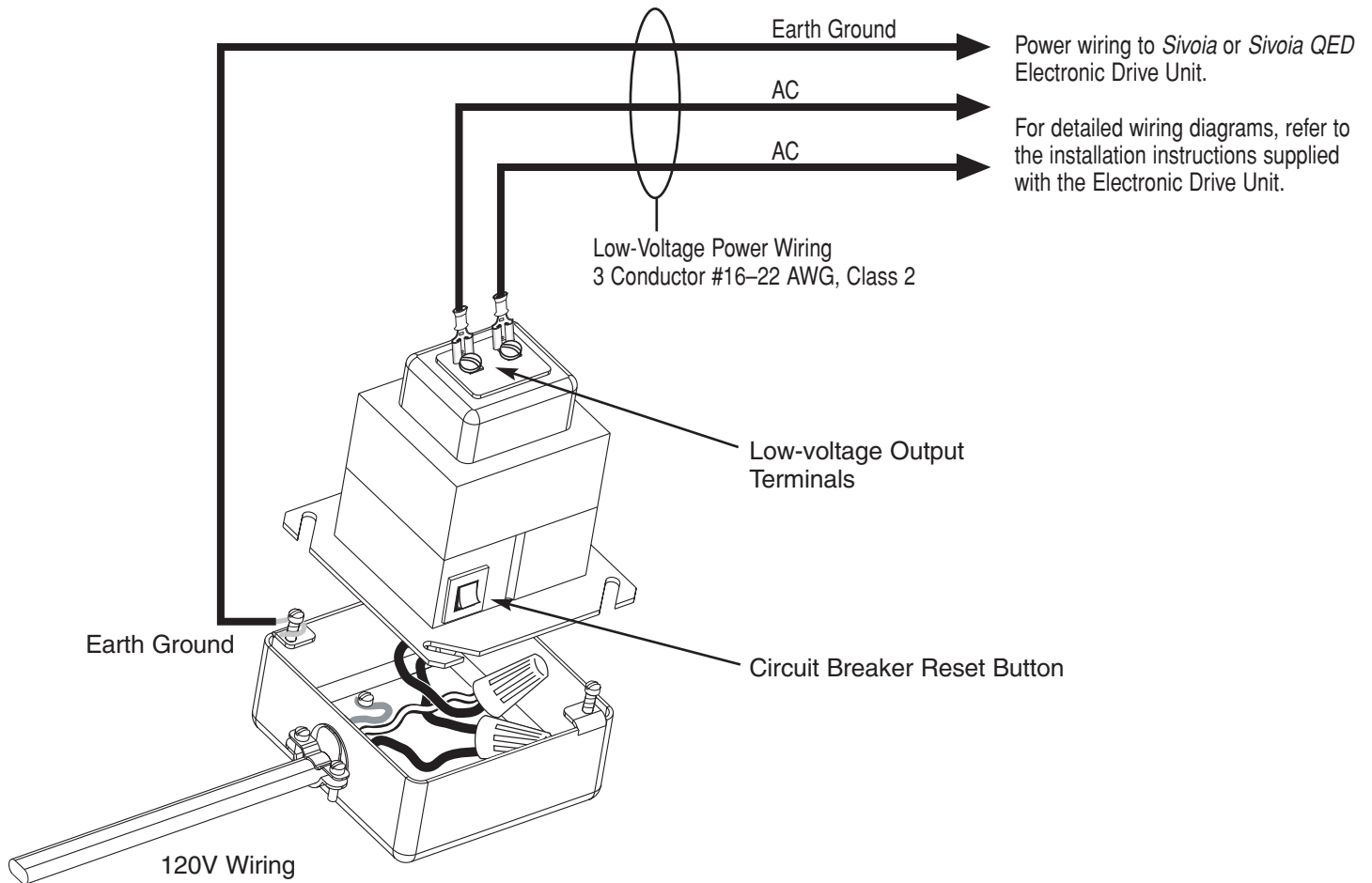
**Figure 1**



**Power Wiring Types and Maximum Lengths**

Type	Maximum Length
3 conductor #16 AWG	200 ft.
3 conductor #18 AWG	150 ft.
3 conductor #20 AWG	100 ft.
3 conductor #22 AWG	60 ft.

Figure 2



## Technical Assistance

If you need assistance, call the toll-free **VIMCO Technical Support Center**. Please provide exact model number when calling.  
(800) 446-1503 (U.S.A., Canada, and the Caribbean)  
Other countries call (804) 752-3300  
Fax (804) 752-3366  
Visit our web site at [www.vimco.com](http://www.vimco.com)

## Limited Warranty

VIMCO will, at its option, repair or replace any unit that is defective in materials or manufacture within one year after purchase. For warranty service, return unit to place of purchase or mail to VIMCO at 11520 Sun Shade Lane, Ashland, VA 23005, postage prepaid.

**THIS WARRANTY IS IN LIEU OF ALL OTHER EXPRESS WARRANTIES, AND THE IMPLIED WARRANTY OF MERCHANTABILITY IS LIMITED TO ONE YEAR FROM PURCHASE. THIS WARRANTY DOES NOT COVER THE COST OF INSTALLATION, REMOVAL, OR REINSTALLATION, OR DAMAGE RESULTING FROM MISUSE, ABUSE, OR DAMAGE RESULTING FROM IMPROPER WIRING OR INSTALLATION. THIS WARRANTY DOES NOT COVER INCIDENTAL OR CONSEQUENTIAL DAMAGES. VIMCO'S LIABILITY ON ANY CLAIM FOR DAMAGES ARISING OUT OF OR IN CONNECTION WITH THE MANUFACTURE, SALE, INSTALLATION, DELIVERY, USE, REPAIR, OR REPLACEMENT OF THE SHADING SYSTEM SHALL NEVER EXCEED THE PRICE PAID FOR THE SYSTEM.**

This warranty gives you specific legal rights, and you may also have other rights which vary from state to state. Some states do not allow the exclusion or limitation of incidental or consequential damages or limitations on how long an implied warranty may last, so the above limitations may not apply to you.

Lutron, Sivoia, and the Sunburst logo are registered trademarks and Sivoia QED is a trademark of Lutron Electronics Co., Inc. VIMCO and shading solutions by VIMCO are trademarks of Virginia Iron & Metal Company, Inc. © 2003 Virginia Iron & Metal Company, Inc.