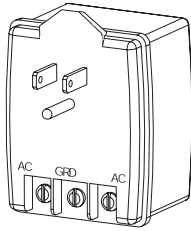


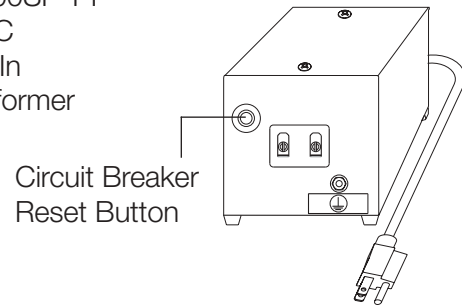
SV-50SF/100SF - PI

The SV-50SF-PI and SV-100SF-PI are 24VAC, Class 2 plug-in transformers that are used with Sivoia or Sivoia QED motorized window shades. The SV-50SF-PI transformer provides enough power for one Sivoia or Sivoia QED Unit to operate a 50 square foot shade. The SV-100SF-PI transformer provides enough power for one Sivoia or Sivoia QED Unit to operate a 100 square foot shade (225 square foot for a high torque Drive Unit). Both transformers are designed to be plugged into a standard 120VAC receptacle, and contain overcurrent protection on the secondary side to protect the device in the event of a miswire.

SV-50SF-PI
24VAC
Plug-In
Transformer



SV-100SF-PI
24VAC
Plug-In
Transformer



Specifications

SV-50SF-PI Transformer

Input Voltage	120VAC
Output Voltage	24VAC
Output Power	50VA
Operating Frequency	60Hz
ESD Protection	(+/-) 15kV
Miswire protection	Internal fuse on secondary side
Wiring	Primary plugs into 120VAC outlet, secondary wires to SV-EDU power terminals
Wire type	16 to 20 AWG stranded on secondary
Connections	Primary: standard prongs secondary: screw terminals

SV-100SF-PI Transformer

Input Voltage	120VAC
Output Voltage	24VAC
Output VA	95VA
Operating Frequency	60Hz
Trip Current	4A
ESD Protection	(+/-) 15kV
Miswire protection	Circuit breaker on secondary side
Wiring	Primary plugs into 120VAC outlet, secondary wires to SV-EDU power terminals
Wire type	16 to 20 AWG stranded on secondary
Connections	Primary: standard prongs secondary: screw terminals

Transformer Load Rating

Type	Current per Transformer	Transformers per 15A Circuit	Transformers per 20A Circuit
SV-50SF-PI	.45A	36	44
SV-100SF-PI	.85A	17	23

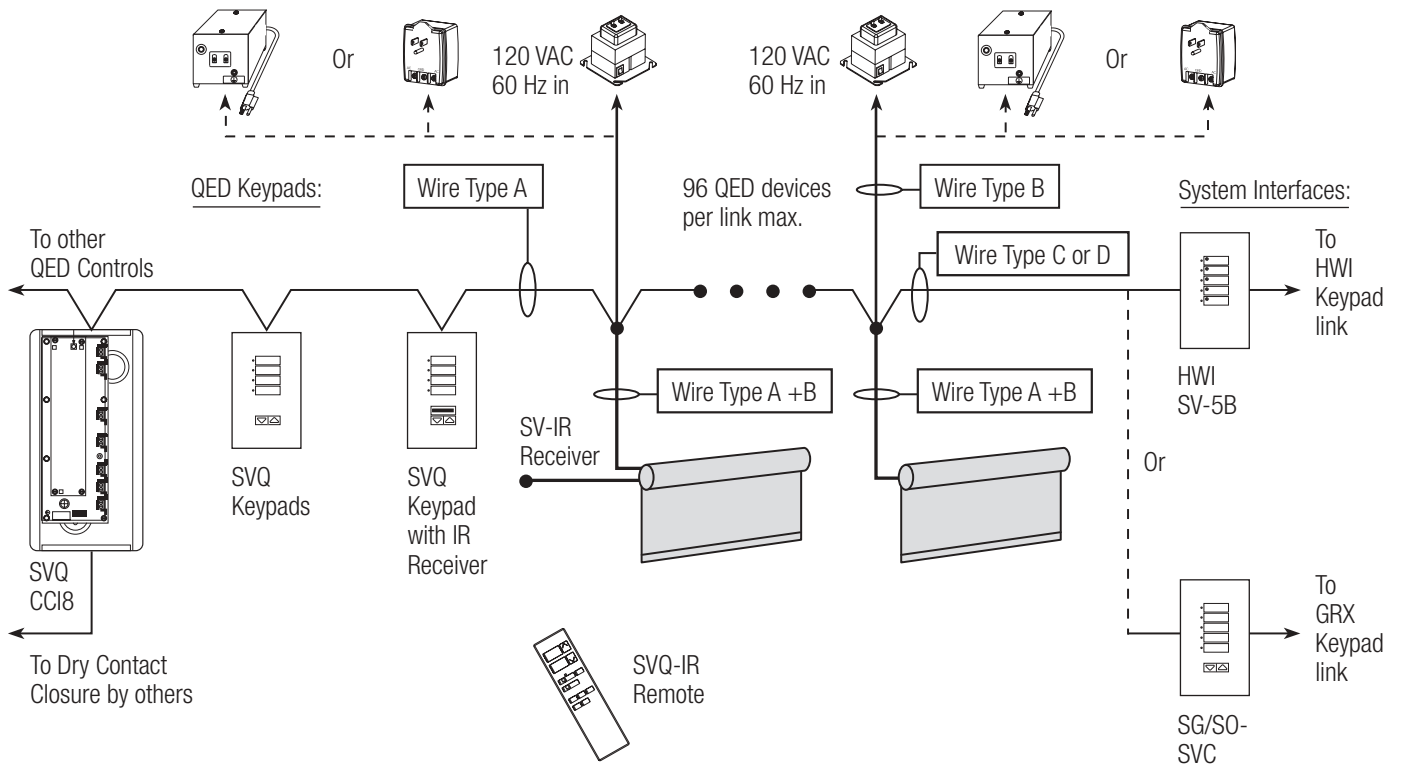
One transformer per EDU

Regulatory Approvals

UL Listed: SV-50 SF #E84666, SV-100 SF #E111592

Job Name:	Model Numbers:
Job Number:	

QED System Wiring: Distributed Transformers



Wiring Type Key

Type A

Communications Link: 4 Conductor #18AWG (twisted and shielded)
 Maximum comm. link – 1000 feet
 Maximum Wire Length - EDU to EDU - 500 feet
 Maximum total communication link - 4000 feet

Type B

Power Supply: 3 Conductor #16-20AWG
 Maximum Wire Length - Transformer to EDU
 #16AWG - 200 feet
 #18AWG - 150 feet
 #20AWG - 100 feet

Type C

SVQ-CBL-250 (A and B combined)
 7 Conductors:
 2 #16AWG Power Supply (red, red/white)
 1 #18AWG Earth Ground (green/yellow)
 4 #18AWG Comm. link (blue, yellow, violet, gray, twisted and shielded)

Type D

5 Conductors:
 3 #18AWG (twisted and shielded) for communication
 2 #18AWG for power

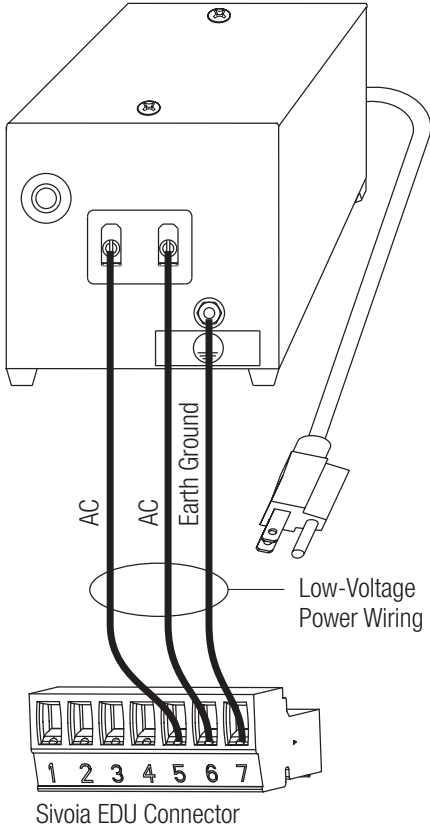
Notes:

- If the number of keypads exceeds the number of EDU's, external keypad power supplies are required
- The QED link supports a total of 96 devices including: EDU's, keypads, and interfaces

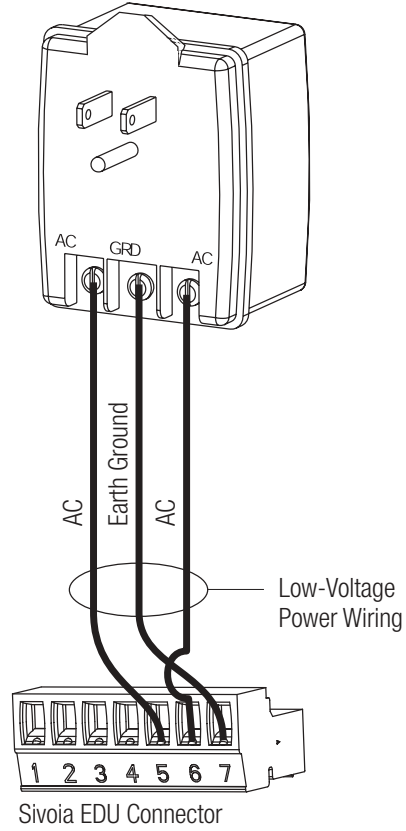
Job Name:	Model Numbers:
Job Number:	

**QED System Wiring:
Terminal Connections**

SV - 100SF - PI

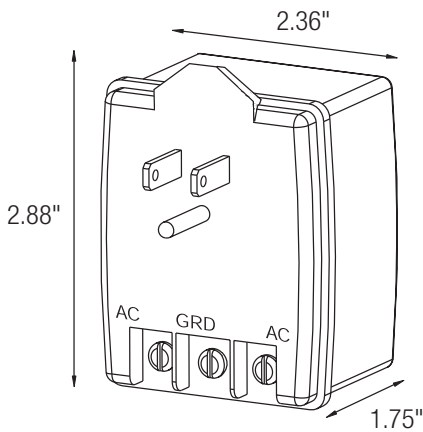


SV - 50SF - PI

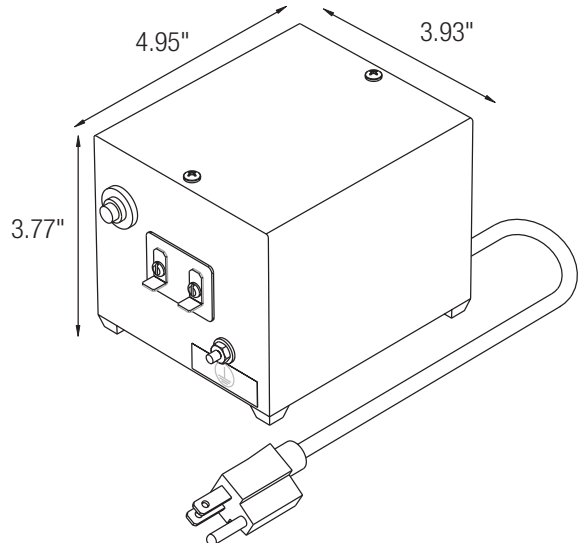


Dimensions

SV-50SF - PI



SV-100SF - PI



Job Name:	Model Numbers:
Job Number:	

Worldwide Technical and Sales Assistance

Lutron Shading Solutions by VIMCO
11520 Sun Shade Lane
Ashland, VA 23005

www.lutron.com

www.vimco.com

customer service: 1.800.446.1503

fax: 1.804.752.3366

24/7 tech support: 1.800.523.9466

email: shadinginfo@lutron.com

Limited Warranty

Lutron Shading Solutions by VIMCO offers an 8-year limited warranty for our shading systems. Please contact customer service or visit our website for a complete warranty statement.

Lutron Shading Solutions by VIMCO reserves the right to make improvements or changes to these products without prior notice. Although every attempt is made to ensure that this information is accurate and up to date, please check with Lutron Shading Solutions by VIMCO to confirm product availability, latest specifications, and suitability for your application.

These products may be covered by one or more of the following US patents:

4,803,380; 4,835,343; 4,924,349; 5,180,886; 5,671,387; 5,848,634;

6,100,659; 6,313,588; 6,346,781; 6,497,267; D310,349; D370,663;

D391,924; D422,567; D436,930; D453,742; D456,783; D461,782;

D462,332; D465,460; D465,770; D466,090; D466,091; D466,484;

D475,024; D475,025; and corresponding foreign patents. US and foreign patents pending.

Job Name:	Model Numbers:
Job Number:	