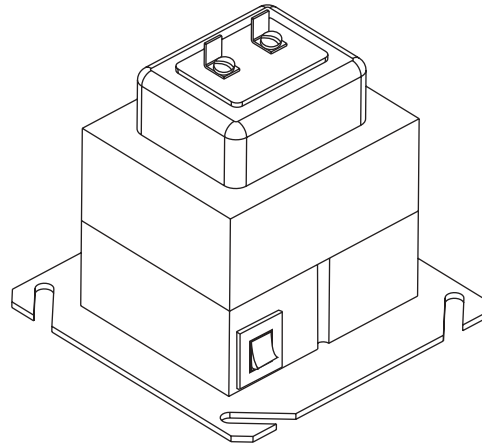


SVQ - 100SF - JBOX

The SV-100SF-JBOX is a 24VAC, Class 2 junction box mount transformer that is used with a Sivoia or Sivoia QED motorized window treatment. The transformer provides enough power for one Sivoia or Sivoia QED Unit to operate a 100 square foot shade (225 square foot for a high torque Electronic Drive Unit). The transformer is designed to be mounted on a junction box in a remote location away from occupants. The transformer contains a circuit breaker on the primary side to protect the device in the event of a miswire.



SV-100SF-JBOX 24VAC
Junction Box Transformer

Specifications

SV-100SF-JBOX Transformer

Input Voltage	120VAC
Output Voltage	24VAC
Output Power	95VA
Operating Frequency	60Hz
Trip Current	3A
ESD Protection	(+/-) 15kV
Miswire protection	Circuit breaker on primary side
Wiring	Primary wires to 120VAC supply through junction box, secondary wires to EDU power terminals
Wire type	10 to 14 AWG on primary, 16 to 20 AWG stranded on secondary
Connections	Primary: wire nuts or similar, secondary: screw terminals

Transformer Load Rating

Type	Current per Transformer	Transformers per 15A Circuit	Transformers per 20A Circuit
SV-100SF-JBOX	.85A	17	23

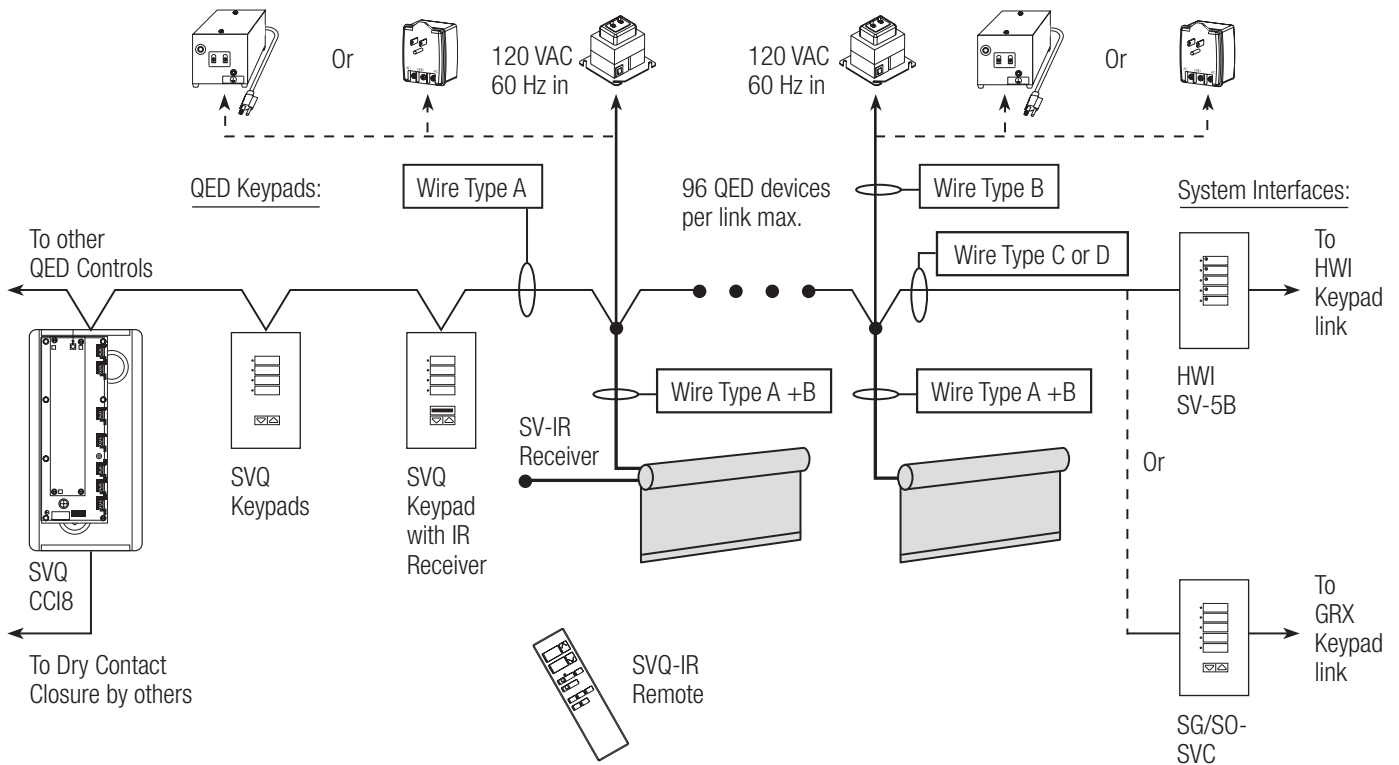
One transformer per EDU

Regulatory Approvals

UL Listed #E111592

Job Name:	Model Numbers:
Job Number:	

QED System Wiring: Distributed Transformers



Wiring Type Key

Type A

Communications Link: 4 Conductor #18AWG (twisted and shielded)
 Maximum comm. link – 1000 feet
 Maximum Wire Length - EDU to EDU - 500 feet
 Maximum total communication link - 4000 feet

Type B

Power Supply: 3 Conductor #16-20AWG
 Maximum Wire Length - Transformer to EDU
 #16AWG - 200 feet
 #18AWG - 150 feet
 #20AWG - 100 feet

Type C

SVQ-CBL-250 (A and B combined)
 7 Conductors:
 2 #16AWG Power Supply (red, red/white)
 1 #18AWG Earth Ground (green/yellow)
 4 #18AWG Comm. link (blue, yellow, violet, gray, twisted and shielded)

Type D

5 Conductors:
 3 #18AWG (twisted and shielded) for communication
 2 #18AWG for power

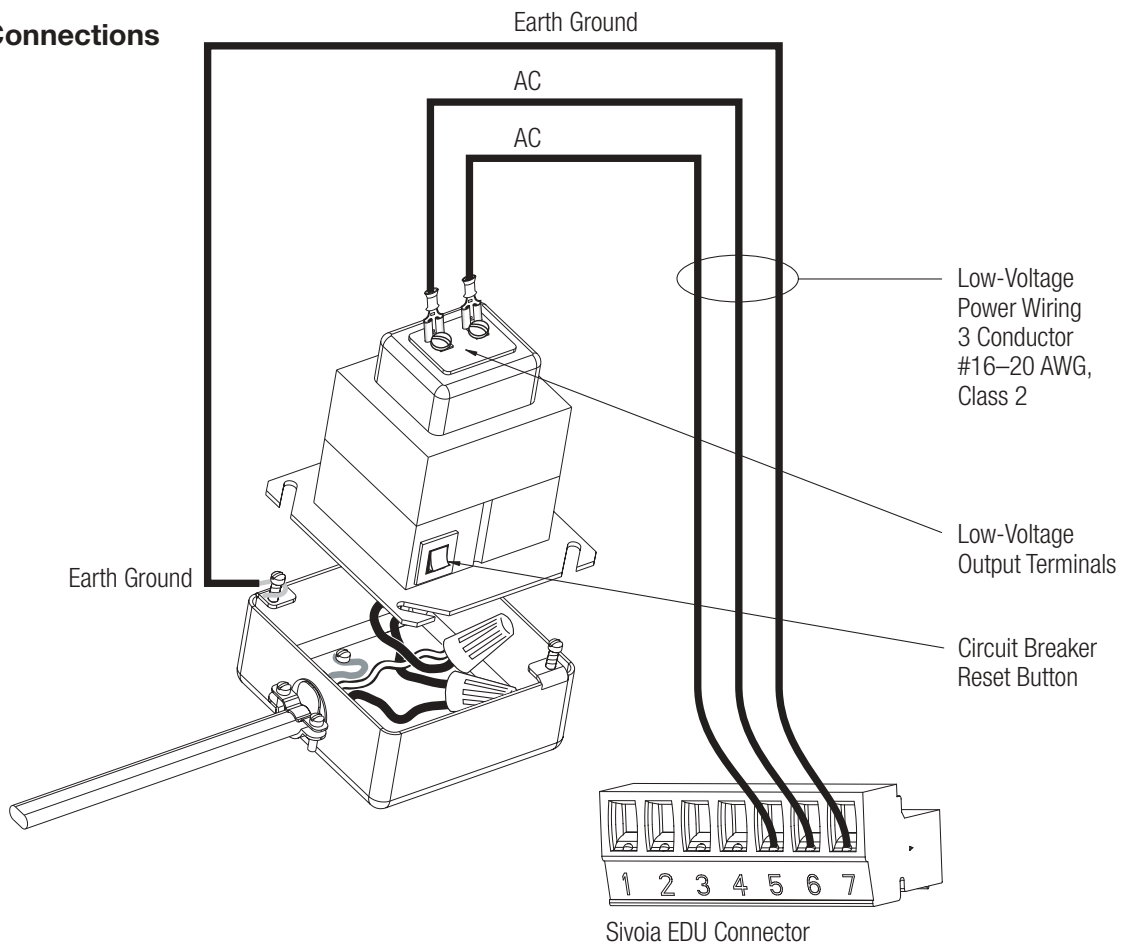
Notes:

- If the number of keypads exceeds the number of EDU's, external keypad power supplies are required
- The QED link supports a total of 96 devices including: EDU's, keypads, and interfaces

Job Name:	Model Numbers:
Job Number:	

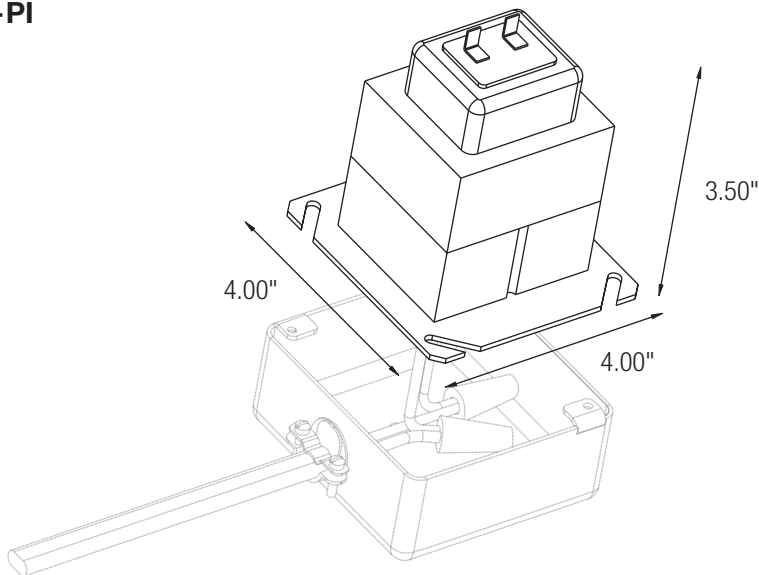
Wiring

Terminal Connections



Dimensions

SV-50SF-PI



Job Name:	Model Numbers:
Job Number:	

Worldwide Technical and Sales Assistance

Lutron Shading Solutions by VIMCO
11520 Sun Shade Lane
Ashland, VA 23005

www.lutron.com

www.vimco.com

customer service: 1.800.446.1503

fax: 1.804.752.3366

24/7 tech support: 1.800.523.9466

email: shadinginfo@lutron.com

Limited Warranty

Lutron Shading Solutions by VIMCO offers an 8-year limited warranty for our shading systems. Please contact customer service or visit our website for a complete warranty statement.

Lutron Shading Solutions by VIMCO reserves the right to make improvements or changes to these products without prior notice. Although every attempt is made to ensure that this information is accurate and up to date, please check with Lutron Shading Solutions by VIMCO to confirm product availability, latest specifications, and suitability for your application.

These products may be covered by one or more of the following US patents:

4,803,380; 4,835,343; 4,924,349; 5,180,886; 5,671,387; 5,848,634;

6,100,659; 6,313,588; 6,346,781; 6,497,267; D310,349; D370,663;

D391,924; D422,567; D436,930; D453,742; D456,783; D461,782;

D462,332; D465,460; D465,770; D466,090; D466,091; D466,484;

D475,024; D475,025; and corresponding foreign patents. US and foreign patents pending.

Job Name:	Model Numbers:
Job Number:	