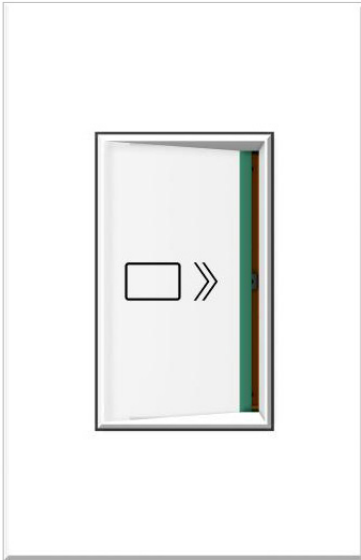


Card Switch Guest Room Control



SZ-CS-CCO-XX

Shown with SZF-Z5-XX
faceplate
XX = Color code

Description

In a Stanza® system, the card switch guest room control allows hotel guests to activate a welcome lighting scene by inserting their room key into the slot upon entering the room. When guests leave the room, they remove the card to turn the lights off or activate another “away” state. Controls that are a part of this away state can be locked out from local operation until the card is reinserted.

Features

- Provides one maintained contact closure output when card is inserted.
- Green backlight strip at card slot flashes when card is not present.
- Mounts in a single-gang wallbox.
- May be mounted with card slot to the left or the right.
- Faceplate not included; order separately.

Job Name:	Model Numbers:
Job Number:	

Specifications

Power:

- Operating voltage: 12 - 24 V $\overline{=}$ or 12 - 24 V \sim ; maximum 100 mA
- IEC PELV/NEC® Class 2 Power required for proper operation

Key Design Features:

- Indicator light in card slot flashes green when card is not present
- Accepts standard size card keys: 2.125 x 3.375 x 0.03 in (54 x 86 x 0.8 mm) (w x h x d)
- Requires Stanza®-specific faceplate (order separately)
- Requires a 1-gang U.S. wallbox: 3.5 in (89 mm) deep recommended; 2.25 in (57 mm) deep minimum
- Contact closure type: Supports “active low” or “active high” contact closure inputs. See Wiring Diagrams for more information
- Can be ganged with other *Stanza* controls or with decorator controls using multigang *Stanza* faceplates

System Communication:

- Directly compatible with SZ-IO, QSE-IO, GRX-IO, and OMX-IO interfaces
- Card switches communicate with other *Stanza* system components through SZ-IO contact closure interface
- Can be tied to other systems that accept a contact closure input. See Wiring Diagrams for more information.

Contact Closure Output:

- Contact closure output supports 40 V $\overline{=}$ when open, 50 mA when closed
 - Open circuit voltage: 40 V $\overline{=}$ maximum
 - Card switch draws < 1 μ A open circuit
 - On-state voltage is 1 V $\overline{=}$ at maximum of 50 mA
 - CCO Power dissipation not to exceed 100 mW

Standards:

- Certified for IEC/EN compliance
- CE

Environment:

- Ambient operating temperature: 32 - 104 °F (0 - 40 °C)
- Maximum 90% non-condensing relative humidity
- Indoor use only

Warranty:

- 1-year limited warranty
- 2-year full parts and labor warranty, with 8-year pro-rated parts replacement on commissioned systems

Color Codes:

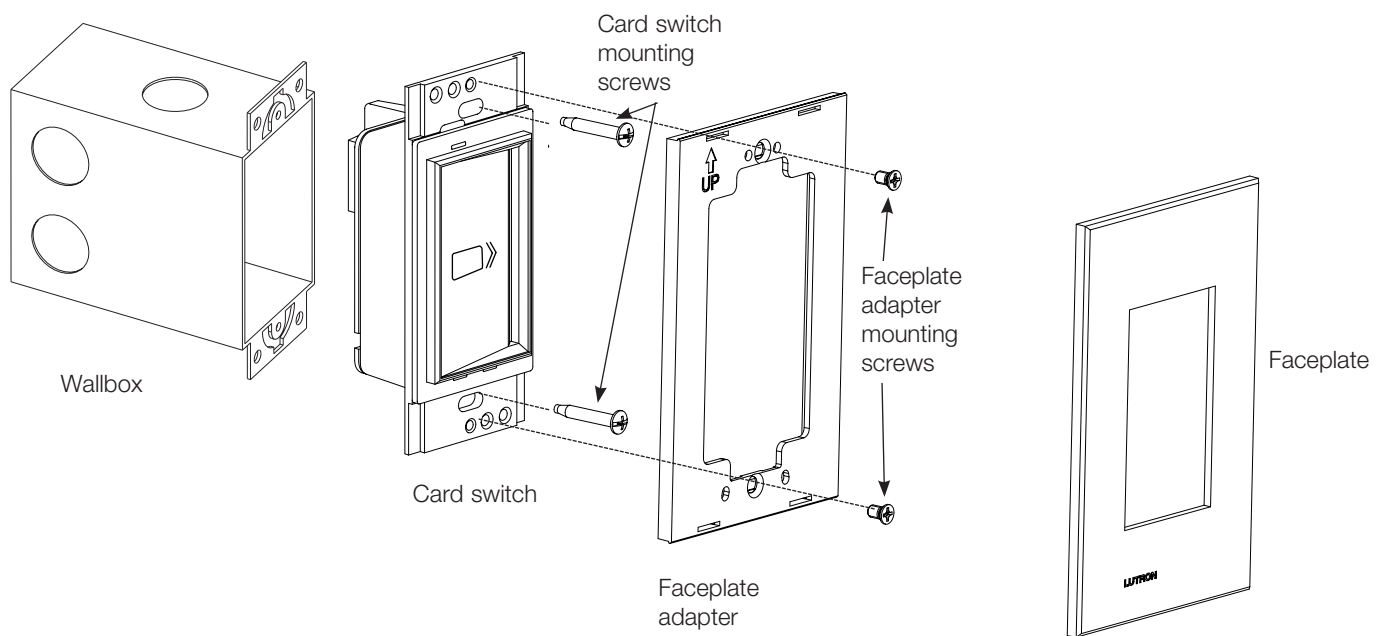
(Satin Colors™)

Insert Color	Code
Biscuit	BI
Eggshell	ES
Merlot	MR
Midnight	MN
Sienna	SI
Snow	SW
Taupe	TP

Contact Lutron for other available finish options.

Job Name:	Model Numbers:
Job Number:	

Mounting

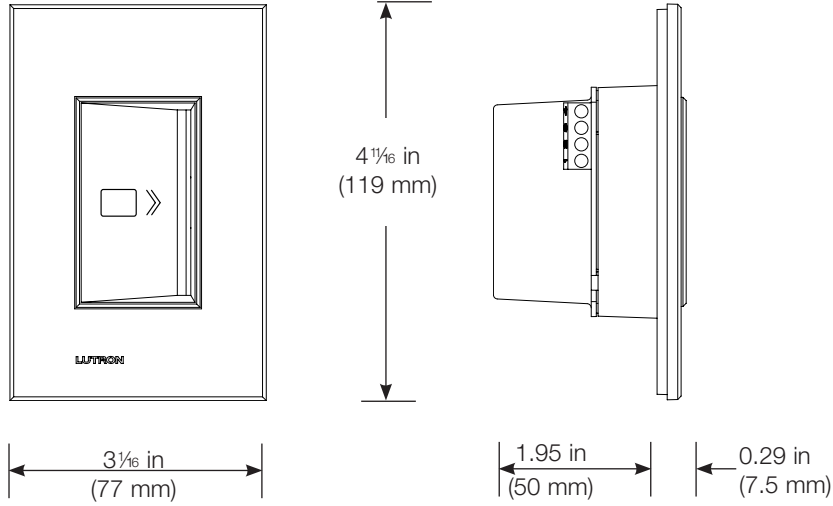


Ensure your customer will be happy by installing this product correctly so the card switch protrudes from the faceplate.

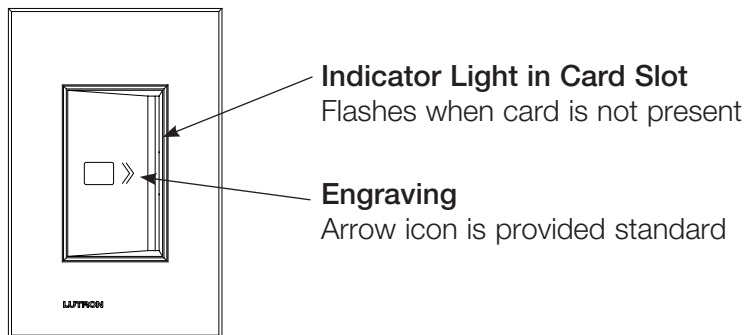
- Ensure all devices are correctly wired and loosely fasten to the wallbox before installing or replacing faceplates.
- For installation with a recessed wallbox, use spacer shims (Lutron PN 257117) for proper support of control(s).
- For multigang installation, verify that the order of controls in the wallbox corresponds to the faceplate openings.
- Ensure controls and surrounding wall are free from debris (e.g. plaster, spackling compound) before installing adapter and faceplate.
- Attach Lutron Stanza® faceplate adapter and faceplate.
 - a. Install the adapter onto front of control(s) using the short screws provided. The faceplate adapter should be firmly against the control.
 - b. Tighten control mounting screws until faceplate adapter is flush to wall (do not over-tighten).
 - c. Snap faceplate onto faceplate adapter, and verify that control is aligned properly and switch(es) protrude(s) in front of the faceplate.
 - d. If control(s) is (are) misaligned or switch(es) is (are) flush with the faceplate, loosen control mounting screws appropriately.

Job Name:	Model Numbers:
Job Number:	

Dimensions



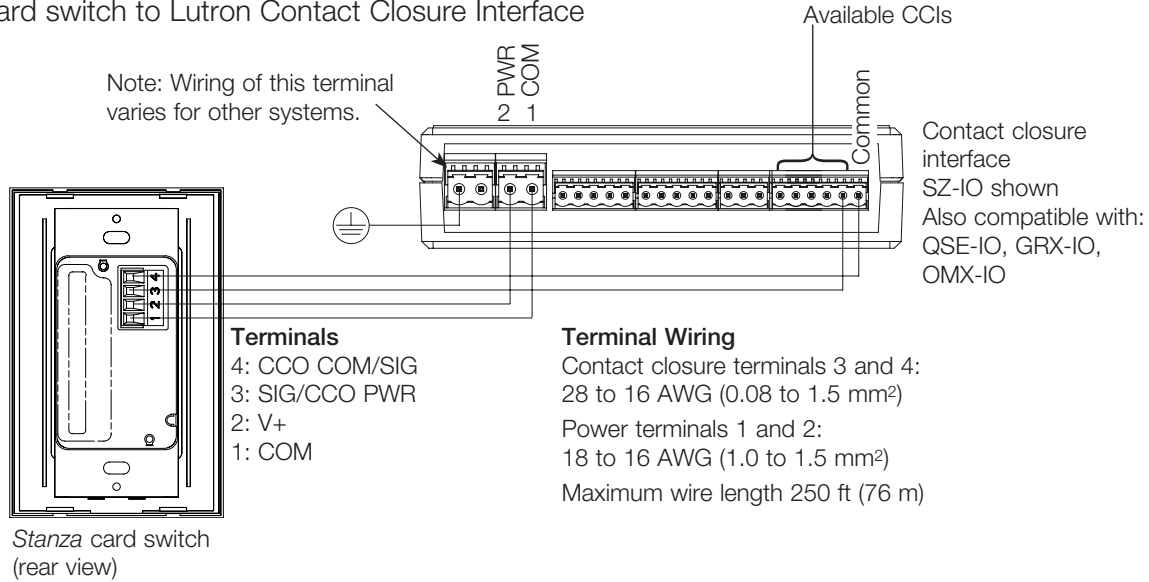
Switch Operation



<p>Job Name:</p>	<p>Model Numbers:</p>
<p>Job Number:</p>	

Wiring Example 1: Operation with a Stanza® System

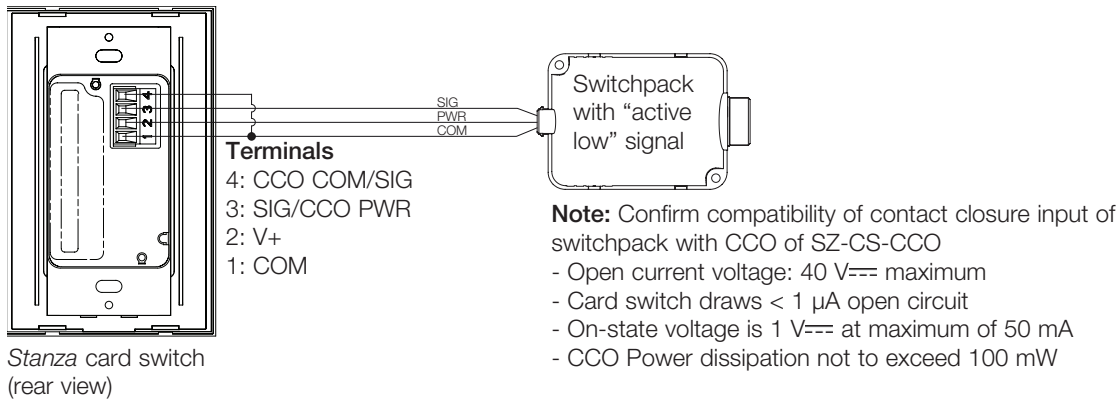
Card switch to Lutron Contact Closure Interface



Note: If connected device is always in the on-state, confirm wiring of terminals 3 and 4.

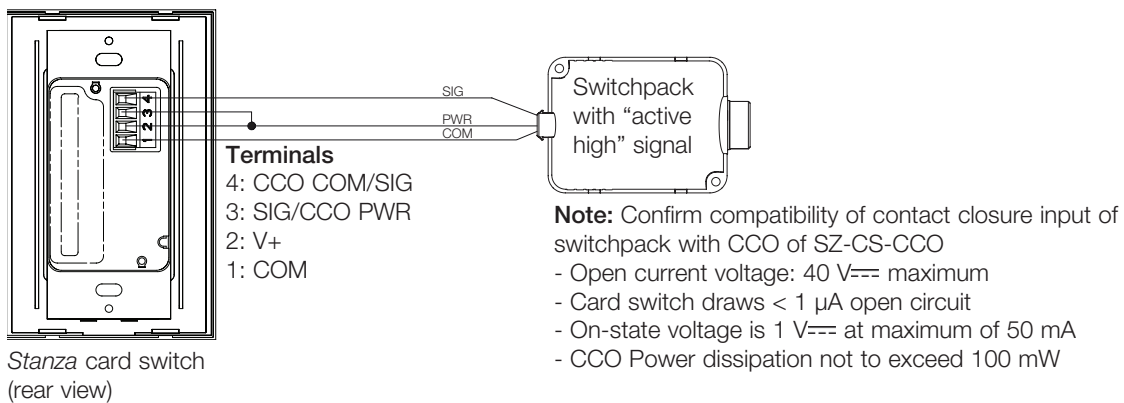
Wiring Example 2: Operation with an “active low” CCI device

(e.g., PP-20)



Wiring Example 3: Operation with an “active high” CCI device

(e.g., PP-120H)



Job Name:	Model Numbers:
Job Number:	