

Lamp Socket Dimmer/Switch



SZ-1SD

Description

The *Stanza* system is an easy-to-install and easy-to-use lighting control system designed especially for hotel guest rooms and similar applications. The system consists of wallbox dimmers, wallbox switches, line-voltage wallbox keypads, low-voltage interfaces, and lamp socket dimmer/switches. All of these devices communicate via radio frequency (RF) within each individual guest room.

Stanza lamp socket dimmer/switches allow guests to control a local lamp by rotating the knob at the socket. They can be controlled remotely via other *Stanza* components.

Features

- Fits standard Edison medium-bore (E26) lamps.
- Allows local dimming control of halogen and incandescent lamps, and switching (toggle On/Off) control of compact fluorescent lamps.
- Light level can also be adjusted, if addressed as part of a *Stanza* lighting control system, via an RF command from a keypad or integration device.
- Provides auditory feedback when knob is rotated.
- Lamp harp locking mechanism (provided) deters theft.
- Large knob designed with ADA and Universal Design considerations.

Design Considerations

- The lamp socket dimmer/switch cannot be used on lamps with integral dimmers.
- For lamps with integral switches, the integral switch must be left in the “on” position for proper operation.
- Ensure that proper space exists in the lamp harp and from the bulb to the shade of the lamp being used. See “Installation Notes” in this document and Lutron Application Note #243 at www.lutron.com for more information.
- Always use a bulb that remains within the wattage rating of the table or floor lamp.

Job Name:

Model Numbers:

Job Number:

Specifications

Standards:

- UL listed to standard 496 “lampholders”
- NOM listed to standards NOM 003 and NMX508
- CUL listed to standard C22.2 no. 43, lampholders, and ICA registered
- FCC approved. Complies with the limits for a Class B digital device, pursuant to Part 15 of the FCC rules

Power:

- Operating voltage: 120 V \sim 50/60 Hz
Non-permanently connected fixtures only

Load:

- Always use a bulb that remains within the wattage rating of the table or floor lamp.
- 10 W minimum for incandescent, halogen, and fluorescent. For base-down orientation, maximum 150 W incandescent, 100 W halogen, and 30 W fluorescent. (See Derating under Installation Notes if not installed base-down.)
- Dims a single halogen or incandescent bulb
- Can be configured to switch a single compact fluorescent bulb

Key Design Features:

- Unit ships from factory as a switch and must be configured to control dimmable loads when the system is commissioned
- Green LED status indicator shows current load status
- LED turns amber for programming indication
- LED turns red and turns off load output if an over-temperature condition is detected
- Adjustable maximum light level provides energy savings and extended bulb life
- Power failure memory: if power is interrupted, when the power is restored, lamp will return to its previously set level prior to the interruption

- Light level can be fine-tuned by rotating the knob until the desired light level is reached (dimmable loads only)
- Lamp socket dimmer/switch must be installed below or beside bulb, not above bulb
- Dimensions: 1.85 in (47 mm) wide
3.74 in (95 mm) deep
1.6 in (41 mm) added height above socket

System Communication and Capacity:

- Lamp socket dimmer/switches communicate with other *Stanza* system components through radio frequency (RF) at 434 MHz
- Multiple RF channels and thousands of system addresses prevent interference between systems
- Each lamp socket dimmer/switch counts as 1 toward the single-system maximum of 31 *Stanza* devices
(Maximum devices can be increased to 100 if an SZ-CI-PRG is present in the system)

Environment:

- Ambient operating temperature:
32 - 104 °F (0 - 40 °C)
- Maximum 90% non-condensing relative humidity
- Indoor use only

Warranty:

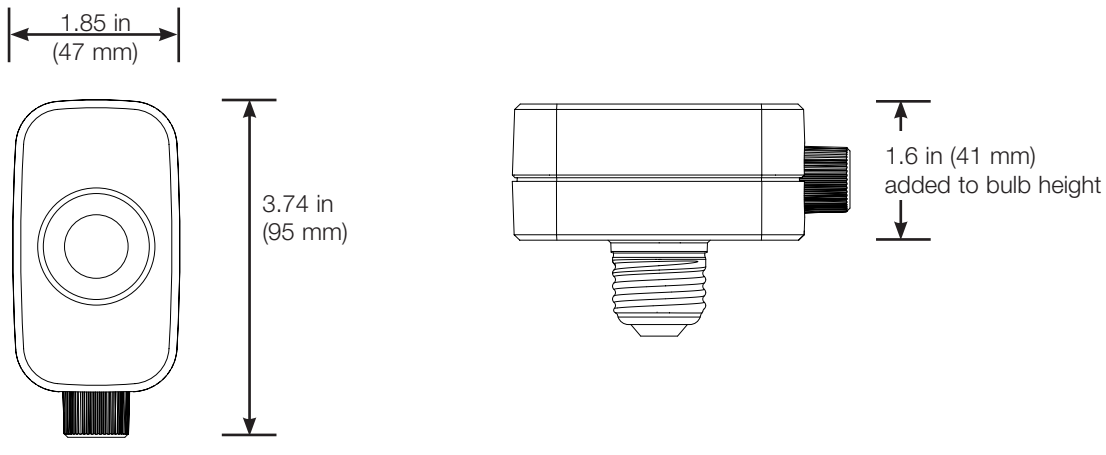
- 1-year limited warranty
- 2-year full parts and labor warranty, with 8-year pro-rated parts replacement on commissioned systems

Color/Finish Codes:

Taupe only

| | |
|-------------|----------------|
| Job Name: | Model Numbers: |
| Job Number: | |

Mounting and Dimensions

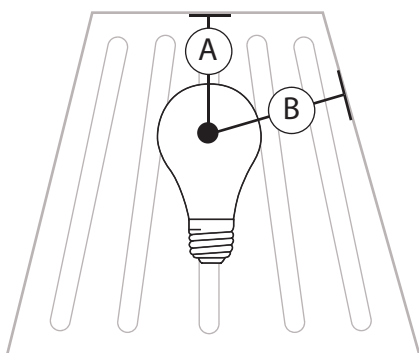


Installation Notes



WARNING! RISK OF FIRE

It is important to maintain proper spacing between the bulb and the lamp shade. When the lamp socket dimmer is installed, spacings A and B (as seen in the diagram below) should be equal to or greater than required by the original UL listing for this portable lamp. Portable lamps are listed to UL 153, “Portable Electric Luminaires”. This standard specifies minimum spacings for A and B based on the construction of the lamp and the rated wattages of acceptable bulbs. Consult the lamp manufacturer for this information. Lutron recommends that the spacings with the lamp socket dimmer installed be equal to or greater than what they were without the lamp socket dimmer installed. This may require a new lamp harp. See Lutron Application Note #243 at www.lutron.com for more information.



- (A) is the spacing to the top of the shade (this applies only to shades with a closed top)
- (B) is the spacing to the nearest point of the shade

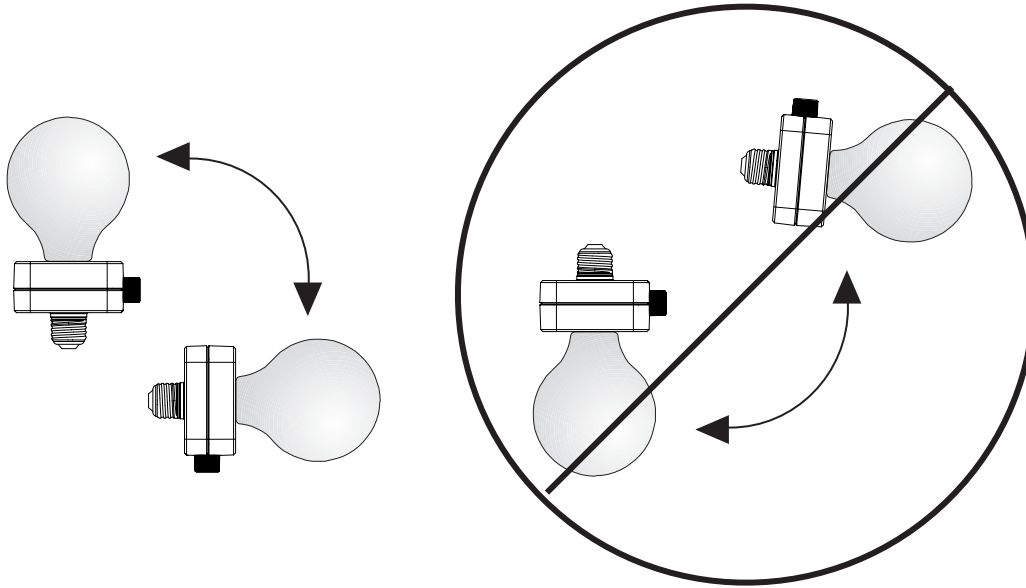
UL Listing of Portable Lamps with Lutron’s Lamp Socket Dimmer

Lutron’s lamp socket dimmer is UL listed to standard #496, “Lampholders”, while portable lamps are UL listed to standard #153, “Portable Electric Luminaires”. A portable lamp with the lamp socket dimmer pre-installed by the lamp manufacturer can be UL listed as an assembly under UL 153. For more information, contact your portable lamp manufacturer.

| | |
|-------------|----------------|
| Job Name: | Model Numbers: |
| Job Number: | |

Installation Notes (continued)

- Always use a bulb that remains within the wattage rating of the table or floor lamp
- Unplug fixture before installing lamp socket dimmer/switch or changing bulb
- To install lamp socket dimmer/switch, remove bulb from socket, screw lamp socket dimmer/switch into lamp socket, then replace bulb in lamp socket dimmer/switch socket
- Lamp harp may need to be removed during installation
- Mount lamp socket dimmer/switch between base-down and horizontal
- Slide harp lock onto bottom of harp and tighten with 1/16 in (1.5 mm) hex wrench (not provided)

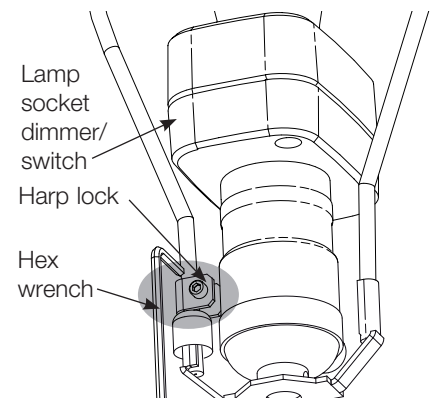


Allowable mounting orientations:
Base-down to horizontal

These mounting orientations not allowed

Derating

| Orientation | Rating |
|------------------------------|--------------------------|
| Base-down | 150 W incandescent |
| | 100 W halogen |
| | 30 W compact fluorescent |
| From base-down to horizontal | 100 W incandescent |
| | 75 W halogen |
| | 30 W compact fluorescent |

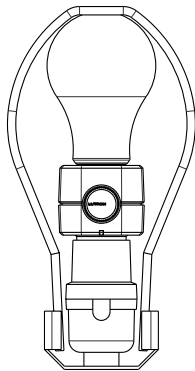


| | |
|--------------------|-----------------------|
| Job Name: | Model Numbers: |
| Job Number: | |

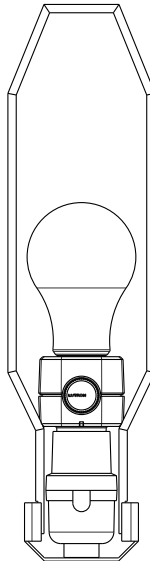
Potential Lamp Harp Interference Issues

The Lutron Lamp Socket Dimmer/Switch is designed to fit in a large variety of typical table and floor lamps. However, due to the large variability in lamp designs, the Lamp Socket Dimmer/Switch may not fit into all lamps.

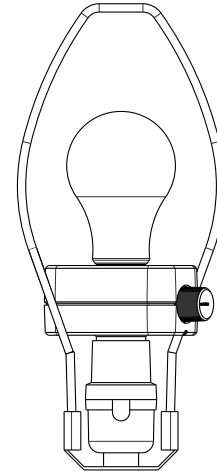
There are three main scenarios where the Lamp Socket Dimmer/Switch may not fit into a lamp that uses a lamp harp to support the shade. Please refer to the “Terminology” section on the last page for a definition of terms.



Harp too short
Figure 1



Harp too narrow
Figure 2



Harp not aligned
Figure 3

These can be addressed with proper selection and installation of a compatible harp or proper alignment of the harp parts.

| | |
|-------------|----------------|
| Job Name: | Model Numbers: |
| Job Number: | |

Solutions

Harp too short (Figure 1)

The Lamp Socket Dimmer/Switch adds approximately 1.6 in (41 mm) of height to a standard bulb. In some cases, this may cause the top of the bulb to come into contact with the top of the lamp harp. This can be fixed by using a taller harp or a shorter bulb. Note that the bulb socket height is not standard, and may vary from one lamp design to another.

Harp too narrow (Figure 2)

Some lamp harps may not be able to accommodate the Lamp Socket Dimmer/Switch because it is wider than a typical bulb at the base. This problem may also occur when compact fluorescent bulbs (CFLs) are used with these harps. If this problem is experienced, Lutron recommends using a lamp harp that was designed to work with CFLs.

Harp not aligned (Figure 3)

When screwing in the Lamp Socket Dimmer/Switch to the lamp, the knob may end up in an undesirable direction, such as facing the back of the lamp, or the direction of the Lamp Socket Dimmer/Switch may prevent proper re-installation of the lamp harp.

Correcting this problem requires re-aligning the harp with the Lamp Socket Dimmer/Switch. In some lamp designs, the bulb socket may be turned slightly by grasping the socket and applying firm force to twist the socket clockwise or counterclockwise as necessary. DO NOT apply pressure to the Lamp Socket Dimmer/Switch to twist the bulb socket. Doing so may damage the socket or Dimmer/Switch. You may need to loosen a set screw located at the base of the bulb socket in order to rotate it.

Typically, the lamp harp can be rotated by firmly grasping the harp saddle and applying firm force to twist the saddle clockwise or counterclockwise as necessary. You may need to loosen a nut located between the bulb socket and harp saddle or harp saddle and lamp in order to rotate the harp saddle.

Resources

Lutron has tested the following lamp harps to properly fit the Lutron Lamp Socket Dimmer/Switch. This is not an exhaustive list, but is meant as a guide to help if an issue is experienced. As a convenience to our customers, Lutron offers a selection of harps available for purchase. Please contact Lutron customer service (1.888.LUTRON1) or visit www.lutronstore.com to order.

| Harp Size | Harp Color | Manufacturer Model Number | Lutron Part Number |
|----------------|------------|---------------------------|--------------------|
| 7 in (178 mm) | Brass | Satco 90-919 | --- |
| | Nickel | Satco 90-2000 | --- |
| 8 in (203 mm) | Brass | Satco 90-920 | Lutron LH-8PB |
| | Nickel | Satco 90-2001 | Lutron LH-8PN |
| 9 in (229 mm) | Brass | Satco 90-921 | --- |
| | Nickel | Satco 90-2002 | --- |
| 10 in (254 mm) | Brass | Satco 90-922 | Lutron LH-10PB |
| | Nickel | Satco 90-2003 | Lutron LH-10PN |

| | |
|--------------------|-----------------------|
| Job Name: | Model Numbers: |
| Job Number: | |

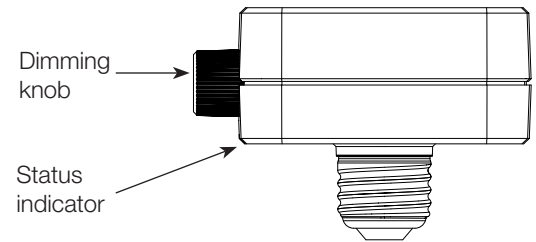
Dimmer Operation

Dimming Knob

- Turn clockwise to turn on and brighten
- Turn counter-clockwise to dim and turn off
- Push in to toggle on and off
- Distinct sounds indicate when high or low level is reached

Status Indicator

- Indicates current load status with green indicator
- Green = load is switched on
- Green Nightlight = load is switched off
- Amber = device is in programming mode
- Red = device is experiencing an over-temperature condition



Over-temperature Detection

If an over-temperature condition is detected, the LED on the lamp socket dimmer/switch will turn red, and the lamp socket dimmer/switch will turn off the bulb. Proper installation and conformance to all specifications should be ensured before proceeding. To return the device to normal operation, perform the following:

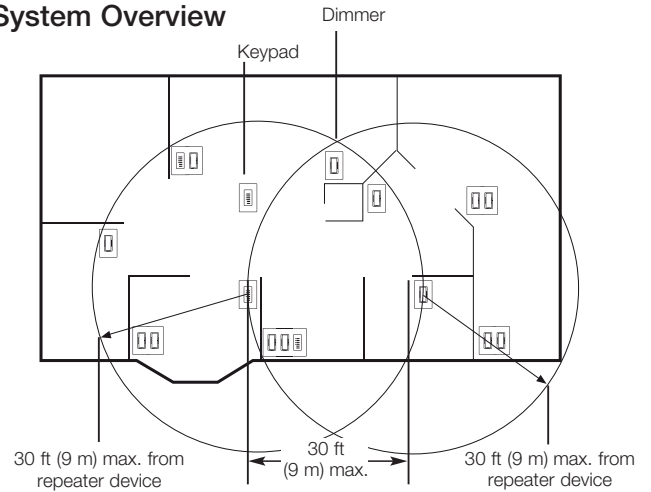
- Cycle power to the device (unplug the lamp; cycle the circuit breaker)
- Within the first 2 minutes of restoring power, press and hold the dimming knob for 3 seconds. The LED should turn from red to green.

| | |
|--------------------|-----------------------|
| Job Name: | Model Numbers: |
| Job Number: | |

System Communication Notes

- *Stanza* RF devices must be located within 30 feet (9 m) of a *Stanza* device configured as a repeater. Multiple devices configured as repeaters may be necessary to provide adequate coverage.
- Any *Stanza* device can be configured as a repeater.
- A total of 5 devices maximum can be configured as repeaters.
- Devices configured as repeaters must be within 30 feet (9 m) of another device configured as a repeater.
- *Stanza* lighting controls cannot be controlled wirelessly and *Stanza* keypads will not function until they are addressed and programmed.

System Overview

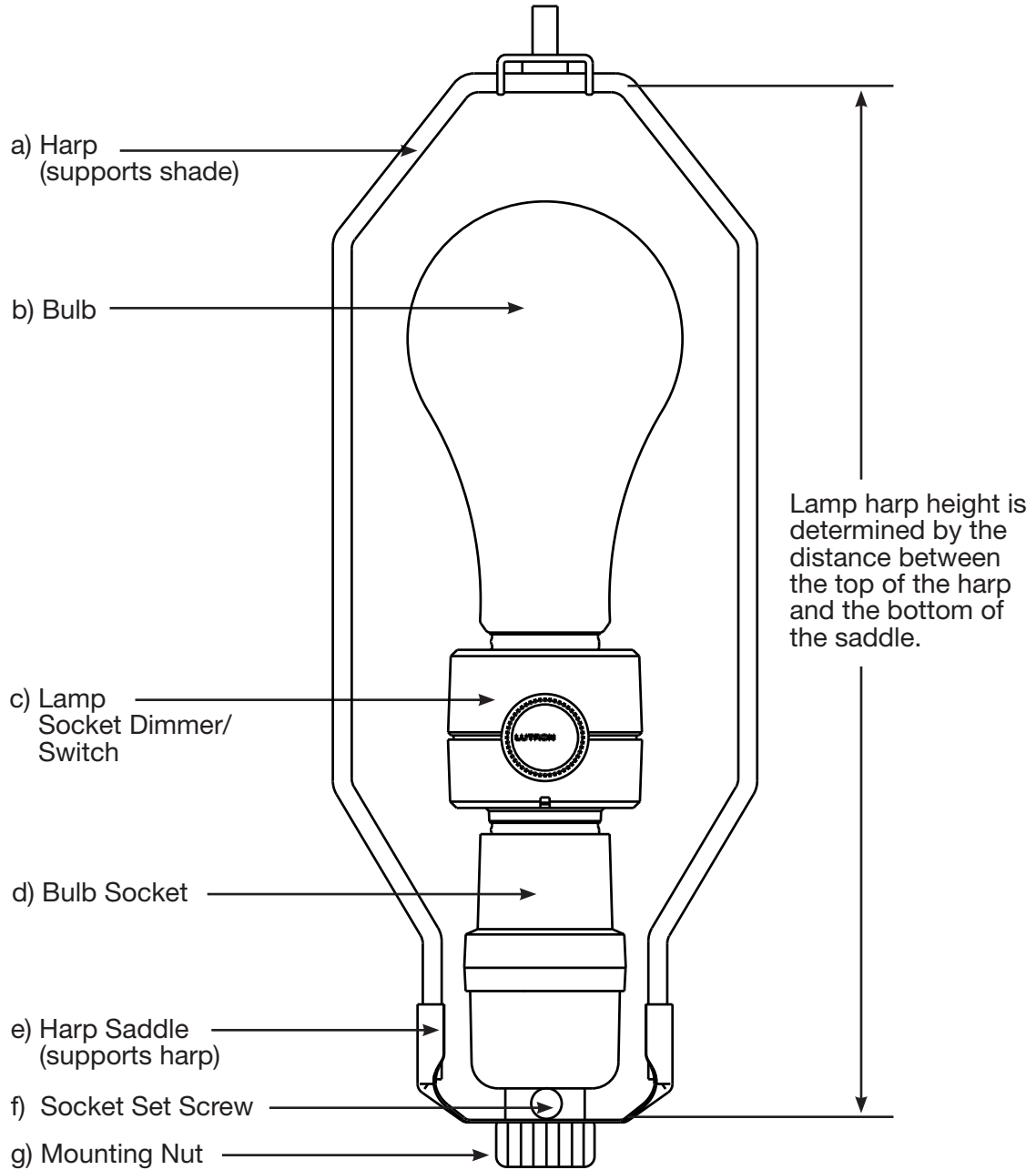


System Limits

| Feature | Basic System (no SZ-CI-PRG present) | Advanced System (with SZ-CI-PRG present) |
|--|--|---|
| Maximum devices | 31 | 100 |
| RS232 and/or Ethernet Interface Capability | No | Yes |
| PC Required for Device Replacement | No | Yes |

| | |
|--------------------|-----------------------|
| Job Name: | Model Numbers: |
| Job Number: | |

Terminology



| | |
|-------------|----------------|
| Job Name: | Model Numbers: |
| Job Number: | |