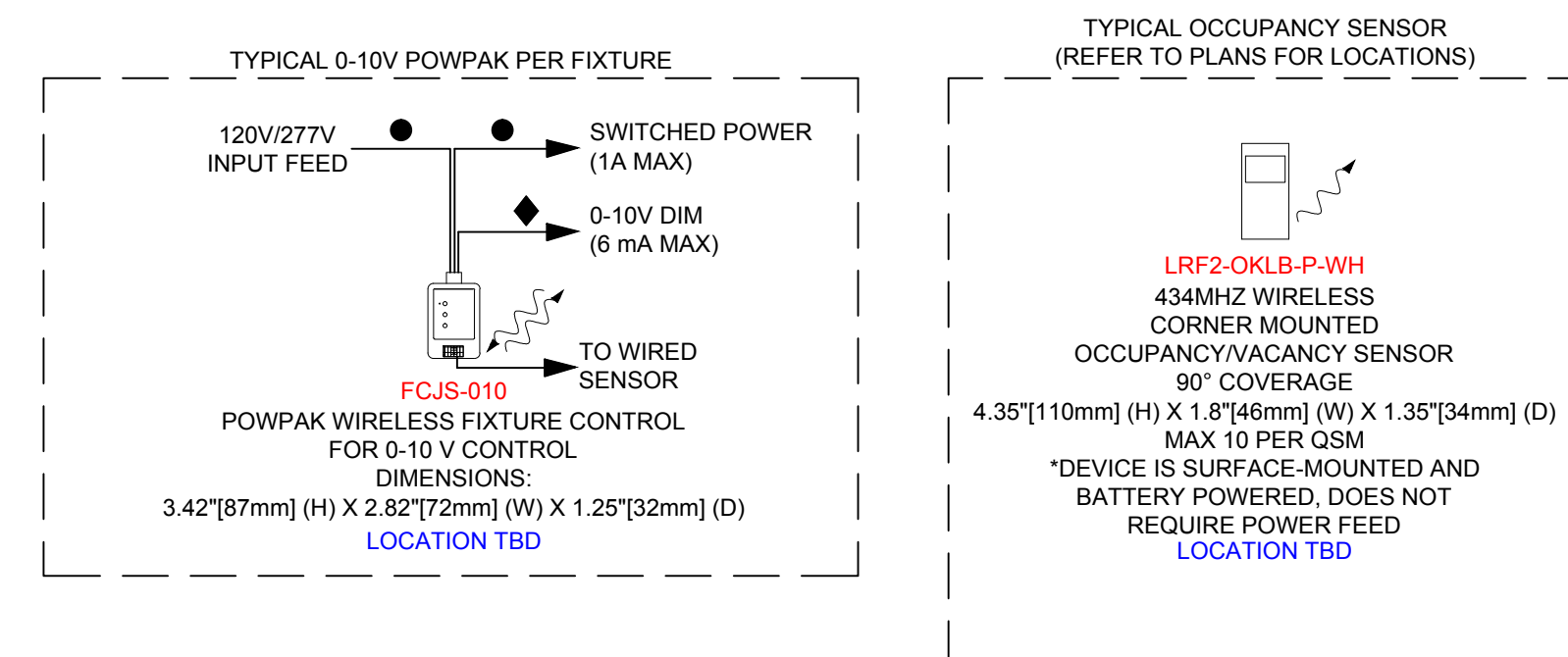


LUTRON NOTES:
 ALL DIMMING BALLASTS / DRIVERS TO BE VERIFIED FOR COMPATIBILITY.
 E.E. TO CONFIRM ALL CIRCUITING REQUIREMENTS
 ARCHITECT TO VERIFY QUANTITY, LOCATION & FINISH OF ALL CONTROLS.
 ALL FACEPLATES, DIMMERS, SWITCHES, RECEPTACLES & CABLEPHONE JACKS TO BE LUTRON CLARO STYLE.
 LUTRON FIELD SERVICE COMMISSIONING INCLUDED IN ALL SYSTEMS INITIATES AN 2 YEAR LIMITED WARRANTY. THE ELECTRICAL CONTRACTOR MUST CONTACT LUTRON (1-844-588-7661) TO SET UP VISIT WITH 10 DAYS NOTICE.



TITLE 24 - 2016
 TYPICAL EGRESS STAIRWELL - NETWORKED TO VIVE HUB

SEQUENCE OF OPERATIONS:

- OCCUPANT ENTERS:**
 - ALL LIGHTS AUTOMATICALLY TURN ON TO MAXIMUM LIGHT LEVEL. MAXIMUM LIGHT LEVEL IS SET TO 80%.
- OCCUPANT EXITS:**
 - ALL LIGHTS DIM TO MINIMUM LIGHT LEVEL 15 MINUTES AFTER ALL OCCUPANTS EXIT. MINIMUM LIGHT LEVEL IS SET TO 10%.
- EMERGENCY MODE:**
 - LIGHTING CONNECTED TO EMERGENCY POWER TURNS ON TO FULL OUTPUT.
- SYSTEM EVENTS:**
 - DEMAND RESPONSE: ALL LIGHTS AUTOMATICALLY DIM 20% DURING DEMAND RESPONSE EVENT. DEMAND RESPONSE CANNOT SHUT OFF THE LIGHTS.

CODE NOTES: VERIFY THAT THE EGRESS FIXTURES GO TO FULL OUTPUT UPON LOSS OF CONTROL SIGNAL. FOR PROJECTS THAT REQUIRE UL 924 COMPLIANCE, PROVIDE AN AUTOMATIC LOAD CONTROL RELAY (ALCR) PER LOAD CONTROLLER CONNECTED TO EMERGENCY FIXTURES. ADD A DAYLIGHT SENSOR FOR STAIRWELLS WITH DAYLIGHT ZONES.
 • GO TO LUTRON.COM/VIVE FOR COMPLETE COMPATIBILITY AND DESIGN DETAILS.
 • THIS SOLUTION REQUIRES 0-10V ENABLED BALLASTS AND DRIVERS BY OTHERS.

WIRING LEGEND:

- INPUT POWER (NORMAL-EMERGENCY)
- INPUT POWER (NORMAL)
- 2 #12AWG (4 mm²)
- 3 #12AWG (4 mm²)
- ◆ 0-10V SIGNAL: 2 #18AWG (1.0 mm²)
- ~ 1-WAY RF COMMUNICATION
- ~ 2-WAY RF COMMUNICATION
- 2 #18AWG (1.0 mm²)
- 3 #18AWG (1.0 mm²)

**TITLE 24 - 2016
 VIVE TYPICALS**

LOCATION

**CONCEPT DRAWING
 NOT FOR CONSTRUCTION**

Project Number:	#####
Drawn By:	XXX
Drawing Revision:	#
Drawing Date:	xx.xx.xx
Sheet:	x of x