

WIRING NOTES:
 OS Link Wiring as Required by Control Link Length
 (see chart below):

Control Link Length	Wire Gauge	Available from Lutron in one cable:
Less than 500ft (153m)	Power (terminals 1&2) 1 pair 18 AWG (1.0mm ²)	GRX-CBL-346S or GRX-PCBL-346S
	Data (terminals 3&4) 1 pair 22 AWG (0.33mm ²), twisted and shielded*	
500ft (153m) to 2000ft (610m)**	Power (terminals 1&2) 1 pair 12 AWG (1.0mm ²)	GRX-CBL-46L
	Data (terminals 3&4) 1 pair 22 AWG (0.33mm ²), twisted and shielded*	

*Alternate data-only cable: Use approved data link cable (22 AWG [0.5mm²] twisted/shielded) from Belden (model # 9483).

**Total length of the OS link must NOT exceed 2000ft (610m).

OS Link can have a maximum of 99 devices, 100 zones, and 512 switch legs.

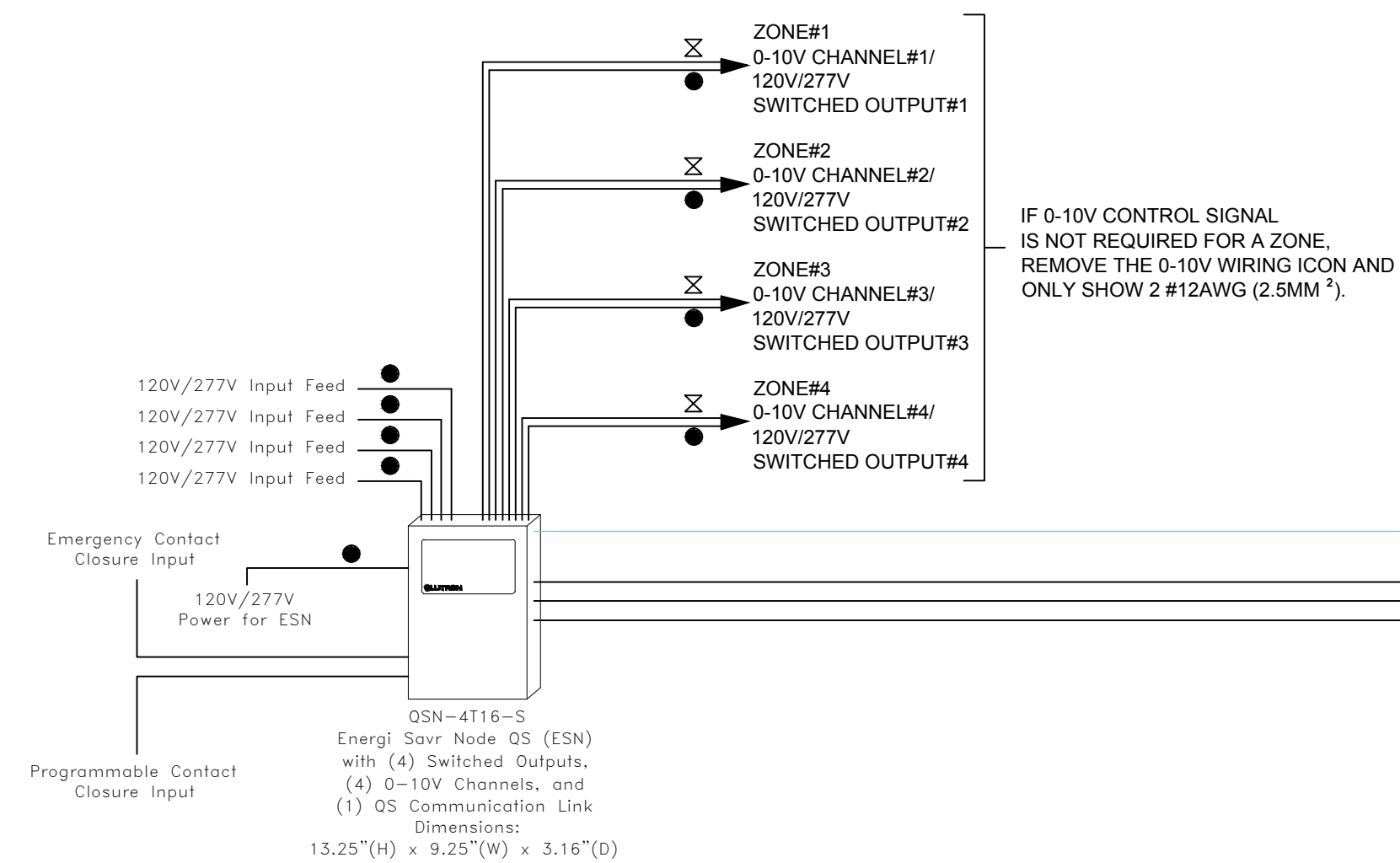
OS communication link uses NEC Class 2/PLV wiring. Follow all local and national electrical codes when installing NEC Class 2/PLV wiring with line voltage wiring.

ALL OS DEVICES EITHER PROVIDE OR CONSUME POWER DRAW UNITS (PDU's). SEE PRODUCT SPECIFICATION SHEETS TO ENSURE APPROPRIATE POWER HAS BEEN PROVIDED FOR EQUIPMENT SPECIFIED.

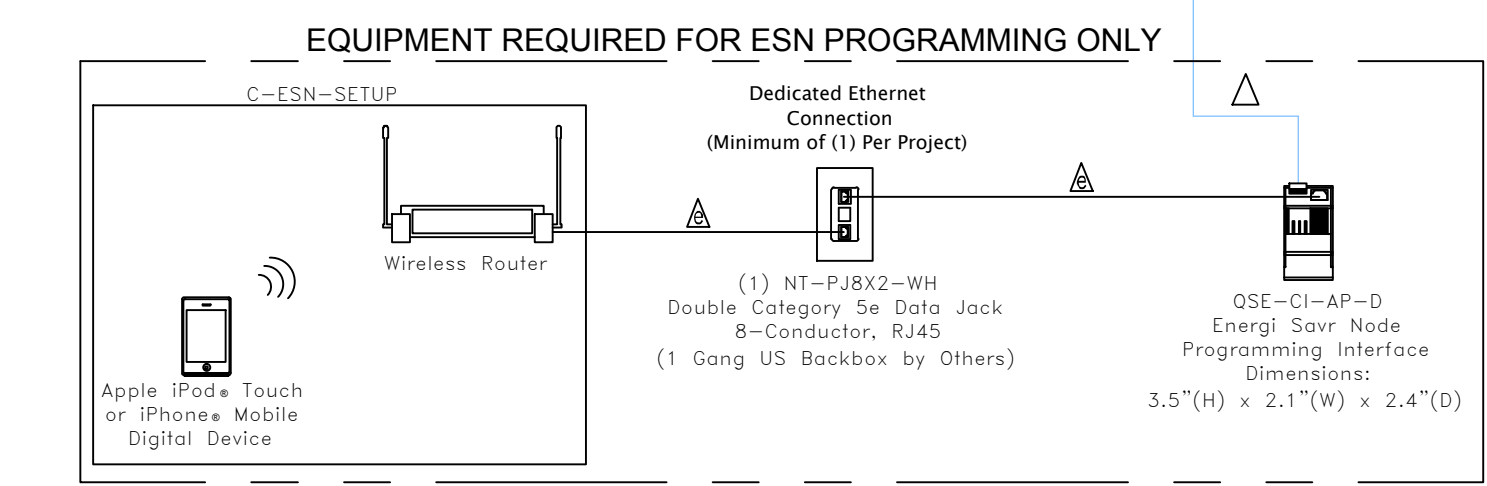
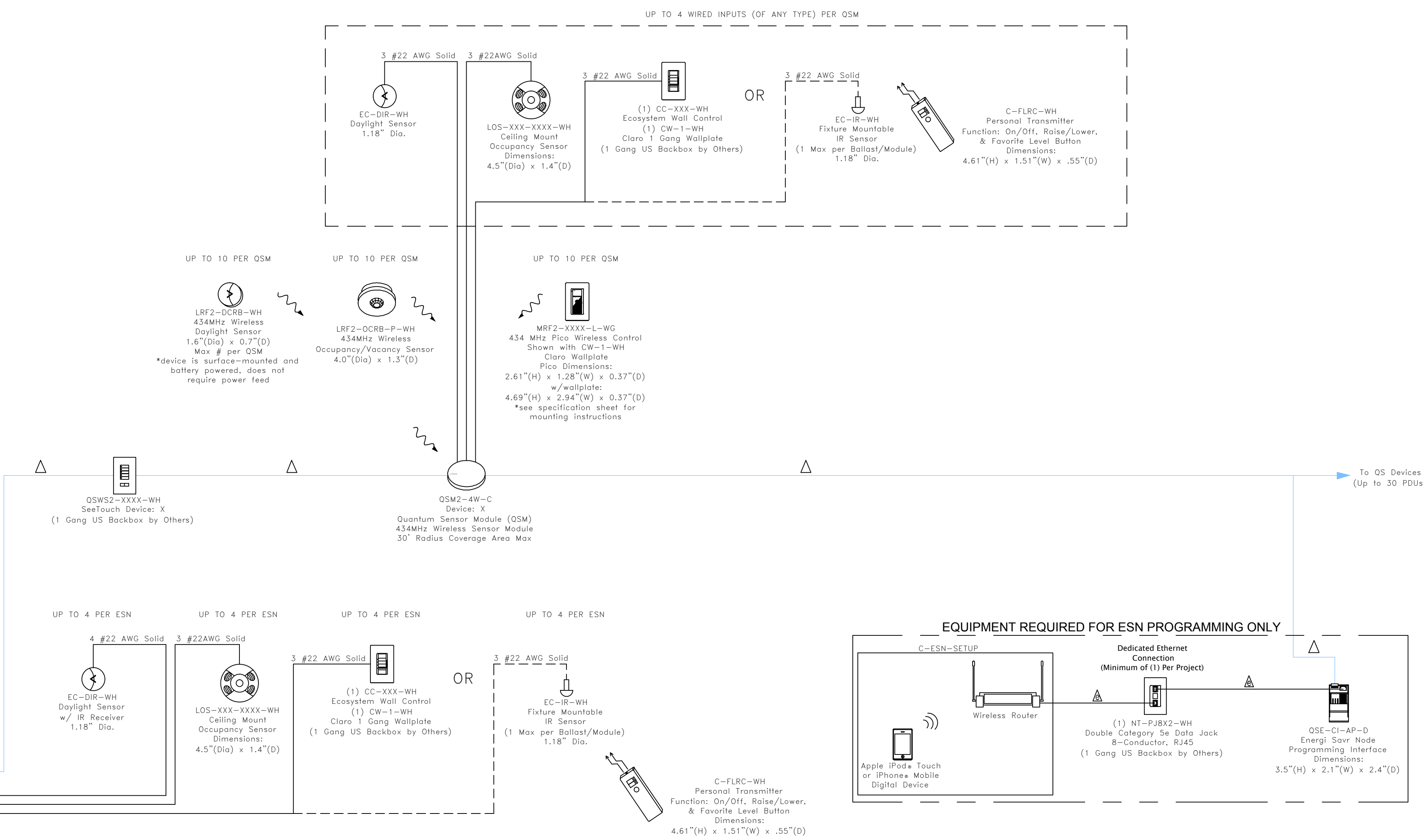
- 2 #12AWG (2.5 mm²)
- 3 #12AWG (2.5 mm²)

EcoSystem Bus:
 Lutron cable C-CBL-216-GR-1 (2 #16 Conductor Non-Plenum) or C-PCBL-216-CL-1 (2 #16 Conductor Plenum rated).
 Otherwise use 2 #16 AWG by others.

CAT5e or better cable for dedicated Lutron network terminated with RJ45 connectors (to be provided by others). 328 feet (100m) maximum run.



IF 0-10V CONTROL SIGNAL IS NOT REQUIRED FOR A ZONE, REMOVE THE 0-10V WIRING ICON AND ONLY SHOW 2 #12AWG (2.5MM²).



All dimming ballasts to be Lutron EcoSystem, Hi-Lume or Eco-10 type.

E.E. to confirm all circuiting requirements.

Architect to verify quantity, location & finish of all controls.

All faceplates, dimmers, switches, receptacles & cable/phone jacks to be Lutron NOVA T*.

Lutron Field Service commissioning included in all systems initiates an 8 year limited warranty. The electrical contractor must contact Lutron (800-523-9466) to set up visit with 10 days notice.

Typical 0-10V ESN Concept Drawing

CONCEPT DRAWING

NOT FOR CONSTRUCTION

Project Number:	1####
Drawn By:	CPM/ALF
Drawing Revision:	#
Drawing Date:	6.21.11
Sheet:	1 OF 1