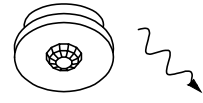


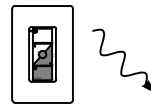
UP TO 6 PER MODULE



LRFx-OCR2B-P-WH
 434MHZ WIRELESS
 OCCUPANCY/VACANCY SENSOR
 3.57"[90,7mm] (DIA) X 1.13"[28,7mm] (D)
 MAX 10 PER QSM
 *DEVICE IS SURFACE-MOUNTED AND
 BATTERY POWERED, DOES NOT
 REQUIRE POWER FEED

(OPTION: WITH L-CRMK-WH
 RECESS MOUNT KIT FOR
 NON-METALLIC CEILINGS)

UP TO 9 PER MODULE



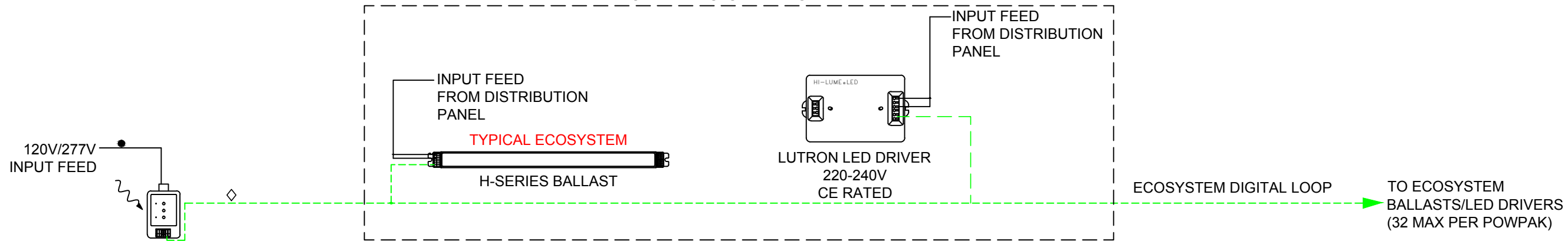
PJ2-3BRL-GWG-L01
 434 MHZ PICO WIRELESS, LIGHT
 3 BUTTON CONTROL WITH RAISE/LOWER
 SHOWN WITH CW-1-WH
 CLARO WALLPLATE
 PICO DIMENSIONS:
 2.61"[66,3mm] (H) X 1.28"[32,5mm] (W) X 0.37"[9,4mm] (D)
 W/WALLPLATE:
 4.69"[119mm] (H) X 2.94"[74,7mm] (W) X 0.37"[9,4mm] (D)
 *SEE SPECIFICATION SHEET FOR
 MOUNTING INSTRUCTIONS

UP TO 1 PER MODULE



LRF2-DCRB-WH
 434MHZ WIRELESS
 DAYLIGHT SENSOR
 1.6"[40,6mm] (DIA) X 0.7"[17,8mm] (D)
 MAX 10 PER QSM
 *DEVICE IS SURFACE-MOUNTED AND
 BATTERY POWERED, DOES NOT
 REQUIRE POWER FEED

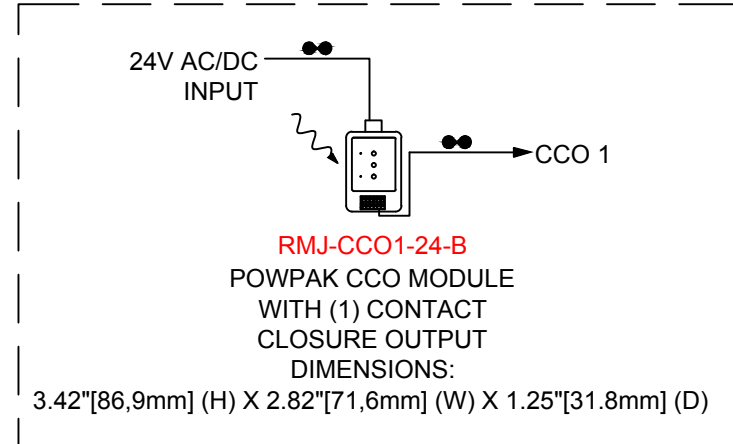
TYPICAL BALLASTS/DRIVERS



RMJ-ECO32-DV-B

POWPAK DIMMING MODULE
 WITH ECOSYSTEM
 (1) PARTIAL BUS SUPPLY FOR
 UP TO 32 BALLASTS/INTERFACES
 DIMENSIONS:
 3.42"[86,9mm] (H) X 2.82"[71,6mm] (W) X 1.25"[31,8mm] (D)

CCO OPTION



WIRING LEGEND:

- 2 #12AWG
- ◇ ECOSYSTEM BUS:
 LUTRON CABLE C-CBL-216-GR-1 (2 #16 CONDUCTOR
 NON-PLENUM) OR C-PCBL-216-CL-1 (2 #16 CONDUCTOR
 PLENUM RATED). OTHERWISE USE 2 #16 AWG BY OTHERS.
- ⚡ 1-WAY RF COMMUNICATION

Concept Drawing Notes:

Control system drawing is provided for conceptual purposes only and is not intended for construction. Exact equipment requirements, including locations and quantities, should be verified in accordance with the most up-to-date lighting/electrical reflected ceiling plans, lighting fixture schedules, panel schedules, control intent and specifications. Shade equipment should be verified in accordance with architectural plans, specifications and window schedules/details.

**TYPICAL ENERGI
 TRI-PAK WITH
 ECOSYSTEM
 & POWPAK**

ONLINE DIAGRAM

CONCEPT ONLY
 NOT FOR CONSTRUCTION

Project Number:	#####
Drawn By:	XXX
Drawing Revision:	0
Drawing Date:	xx.xx.13
Sheet:	1 OF 1