

**WIRING LEGEND:**

- INPUT POWER (NORMAL)
- 2 #12AWG (4 mm<sup>2</sup>)
- 3 #12AWG (4 mm<sup>2</sup>)
- ⊞ CAT5E OR BETTER CABLE FOR LUTRON NETWORK TERMINATED WITH RJ45 CONNECTORS (TO BE PROVIDED BY OTHERS). 328 ft (100 m) MAXIMUM RUN.
- 1-WAY RF COMMUNICATION
- 2-WAY RF COMMUNICATION
- SMART

LED dimming requires an exact match between the LED array, driver and control. Lutron cannot guarantee compatibility or performance without testing this combination.

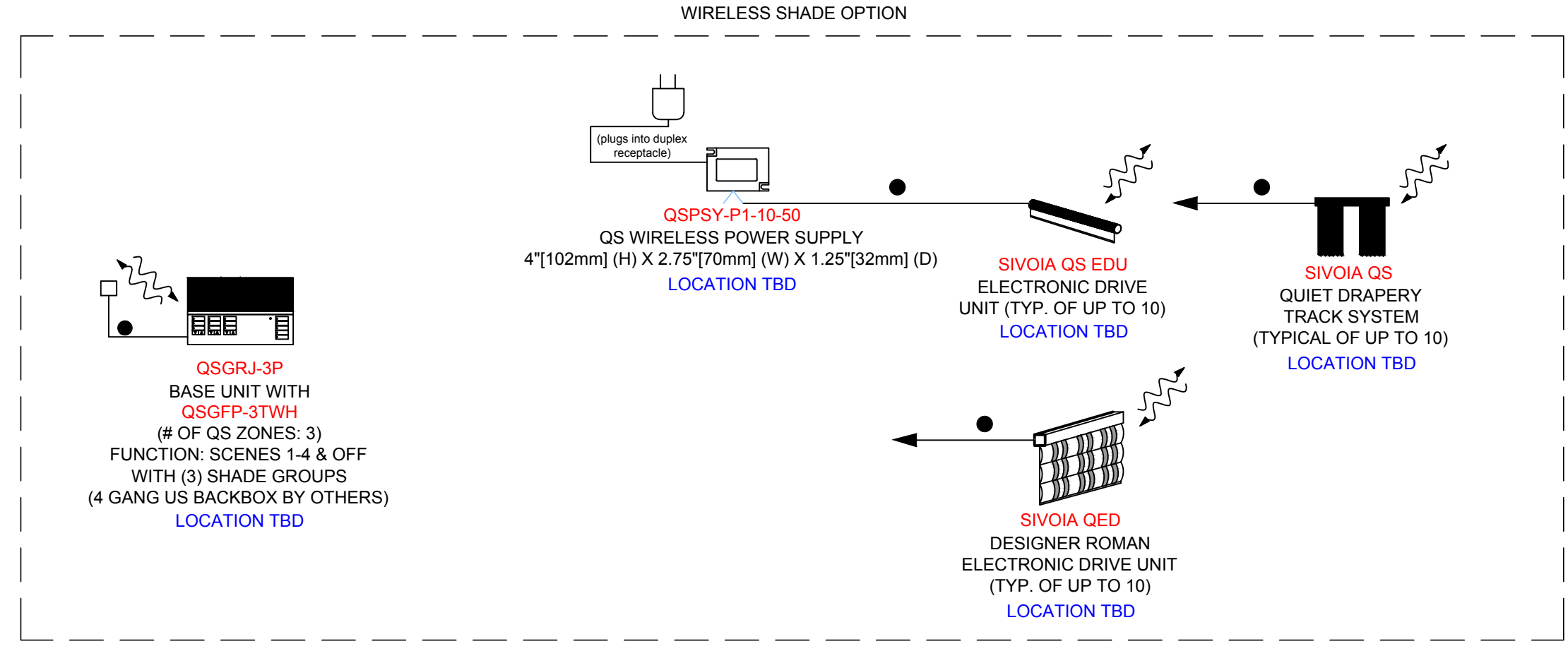
To confirm what products Lutron has available or what interfaces may be required, call 1-877-DIM-LED6 or check Lutron's Product Compatibility Matrix on-line at [www.lutron.com/LED](http://www.lutron.com/LED).

To request testing of an LED product by Lutron manufacturers can fill out an LED Evaluation Request Form on-line at [www.lutron.com/LED](http://www.lutron.com/LED) or contact LED@lutron.com.

Lutron can guarantee compatibility and performance of Lutron Hi-Lume A-Series LED Drivers used with appropriate Lutron controls. The Hi-Lume A-Series LED Driver can be used on products under 40 Watts with suitable mounting locations. Please refer to the Specification Submittal Sheet for further information.

If using untested, non-Lutron LED drivers requiring 0-10V control, performance and compatibility cannot be guaranteed by Lutron. Products following the IEC Standard 60929 are more likely to provide acceptable performance results. Determination of result acceptability is up to the user's discretion.

If using untested, non-Lutron LED drivers requiring phase control, performance and compatibility cannot be guaranteed by Lutron. A-Series or ELV products providing high end and low end trim adjustments are more likely to provide acceptable performance results. Determination of result acceptability is up to the user's discretion.



Concept Drawing Notes:  
Control system drawing is provided for conceptual purposes only and is not intended for construction. Exact equipment requirements, including locations and quantities, should be verified in accordance with the most up-to-date lighting/electrical reflected ceiling plans, lighting fixture schedules, panel schedules, control intent and specifications. Shade equipment should be verified in accordance with architectural plans, specifications and window schedules/details.

**LUTRON NOTES:**

All dimming ballasts to be Lutron EcoSystem, EcoSystem H-Series, or Hi-Lume type.

E.E. to confirm all circuiting requirements.

Architect to verify quantity, location & finish of all controls.

All faceplates, dimmers, switches, receptacles & cable/phone jacks to be Lutron NOVA™

Lutron Field Service commissioning included in all systems initiates an 2 year limited warranty. The electrical contractor must contact Lutron (800-523-9466) to set up visit with 10 days notice.

**RADIORA 2 TYPICAL ONELINE**

**CONCEPT DRAWING NOT FOR CONSTRUCTION**

Project Number:	####
Drawn By:	MLH
Drawing Revision:	0
Drawing Date:	7.31.15
Sheet:	1 of 1

