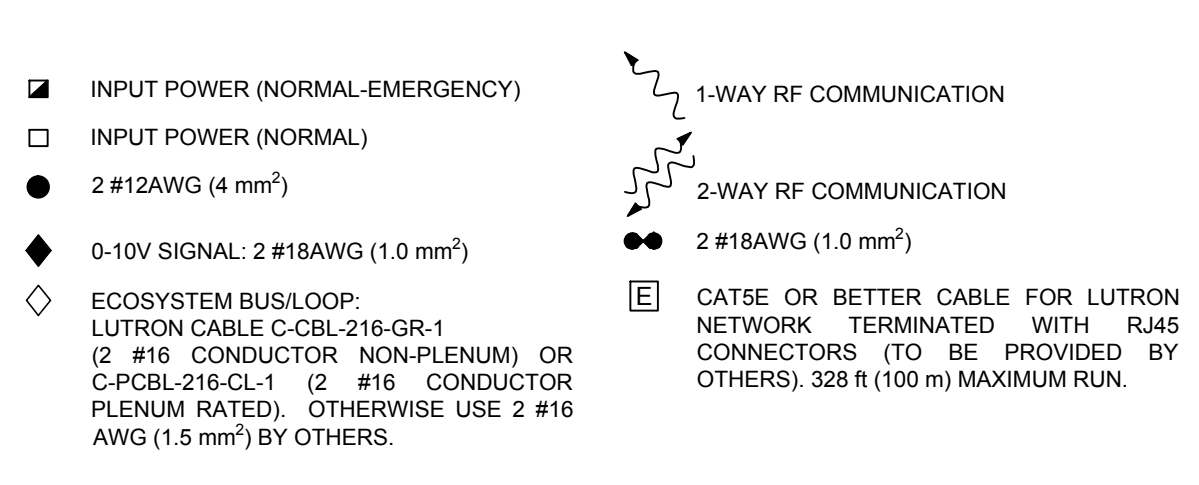


WIRING LEGEND:



WIRING NOTES:

LUTRON LIGHTING MANAGEMENT NETWORK
 WHEN A LIGHTING MANAGEMENT NETWORK (LMN) IS REQUIRED TO ENABLE COMMUNICATIONS BETWEEN INDIVIDUAL LIGHT MANAGEMENT HUBS (LMH) AND BETWEEN LMH AND THE SYSTEM SERVER/DESKTOP/LAPTOP (D-MANAGER), THE LMN REQUIRES A DEDICATED LAN OR VLAN. IT IS THE RESPONSIBILITY OF THE NETWORK PROVIDER TO ENSURE THE RELIABILITY AND SECURITY OF THE LMN.

CAT5E OR BETTER ETHERNET CABLE TO BE RUN FOR DEDICATED LMN TERMINATED WITH RJ45 CONNECTORS (PROVIDED BY OTHERS). THE NUMBER OF ETHERNET HOPSPERMENTS BETWEEN THE SERVER/DESKTOP/LAPTOP (D-MANAGER) AND ANY LMN NODE SHALL NOT EXCEED 6. TOTAL LENGTH OF ETHERNET CABLE SHALL NOT EXCEED 328 FT (100M) POINT TO POINT.

IF LONGER RUNS ARE REQUIRED, MULTI-MODE FIBER OPTIC CABLE CAN BE USED INSTEAD WITH APPROPRIATE FIBER OPTIC CONNECTORS (PROVIDED BY OTHERS). CONSULT WITH NETWORK PROVIDER FOR STANDARD ETHERNET AND FIBER OPTIC WIRING RULES FOR DISTANCE AND SEPARATION AS WELL AS FOR PLACEMENT OF SWITCHES, ROUTERS, HUBS, ETC.

FOR MORE INFORMATION REGARDING NETWORK EQUIPMENT REQUIREMENTS AND NETWORK CONFIGURATION, PLEASE REFER TO THE QUANTITY LIGHTING MANAGEMENT NETWORK SPECIFICATION SHEET OR CONTACT LUTRON.

CONCEPT DRAWING NOTES:
 CONTROL SYSTEM DRAWINGS IS PROVIDED FOR CONCEPTUAL PURPOSES ONLY AND IS NOT INTENDED FOR CONSTRUCTION. EXACT EQUIPMENT REQUIREMENTS, INCLUDING LOCATIONS AND QUANTITIES, SHOULD BE VERIFIED IN ACCORDANCE WITH THE MOST UP-TO-DATE LIGHTING/ELECTRICAL REFLECTED CEILING PLANS, LIGHTING FIXTURE SCHEDULES, PANEL SCHEDULES, CONTROL INTENT AND SPECIFICATIONS. SHADE EQUIPMENT SHOULD BE VERIFIED IN ACCORDANCE WITH ARCHITECTURAL PLANS, SPECIFICATIONS AND WINDOW SCHEDULES/DETAILS.

LED DIMMING REQUIRES AN EXACT MATCH BETWEEN THE LED ARRAY, DRIVER AND CONTROL. LUTRON CANNOT GUARANTEE COMPATIBILITY OR PERFORMANCE WITHOUT TESTING THIS COMBINATION.

TO CONFIRM WHAT PRODUCTS LUTRON HAS AVAILABLE OR WHAT INTERFACES MAY BE REQUIRED, CALL 1-877-DIMLED OR CHECK LUTRON'S PRODUCT COMPATIBILITY MATRIX ONLINE AT WWW.LUTRON.COM/LED.

TO REQUEST THE TESTING OF AN LED PRODUCT BY LUTRON MANUFACTURERS CAN FILL OUT AN LED EVALUATION REQUEST FORM ONLINE AT WWW.LUTRON.COM/LED OR CONTACT LED@LUTRON.COM.

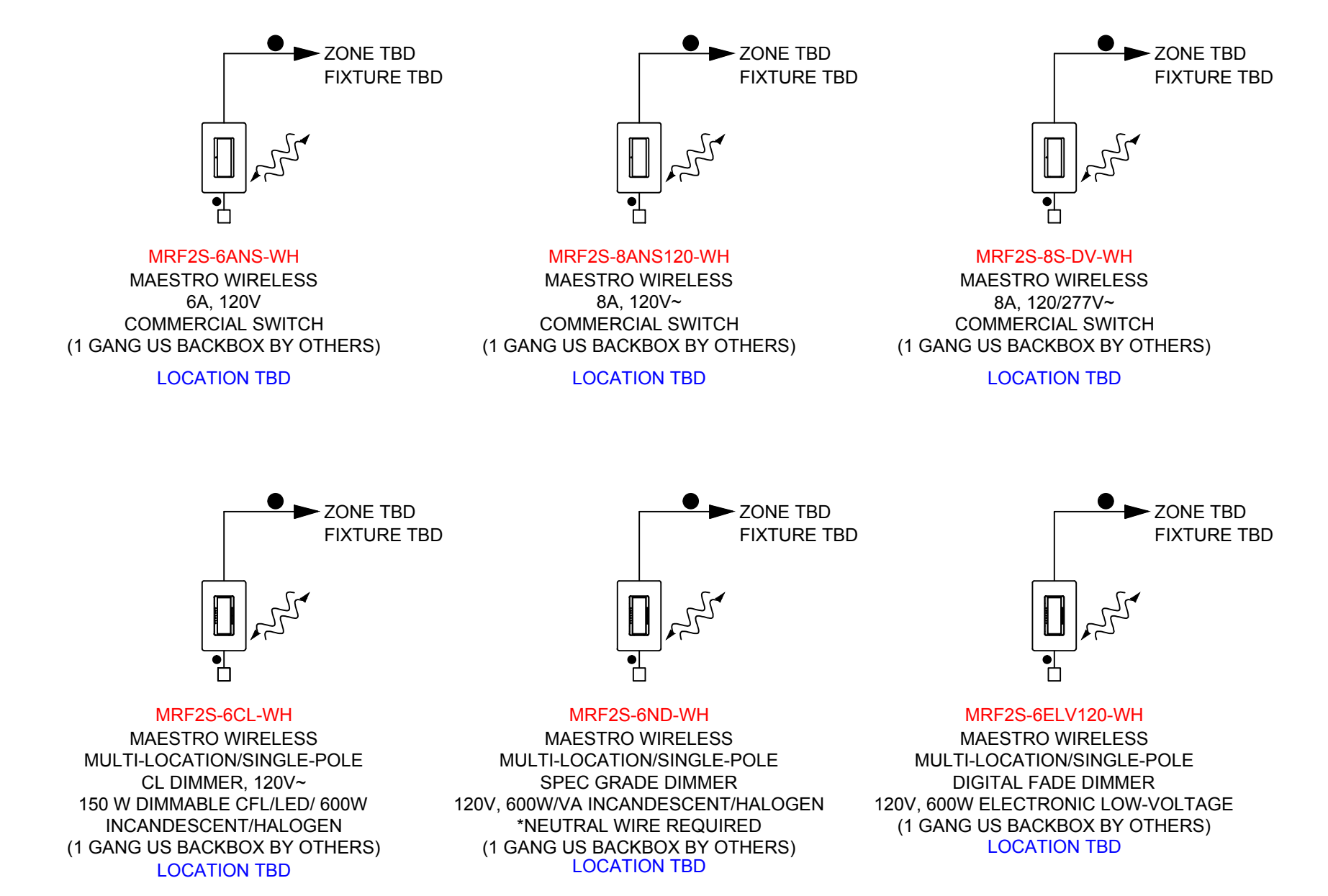
LUTRON CAN GUARANTEE COMPATIBILITY AND PERFORMANCE OF LUTRON H-H-LIME-A-SERIES LED DRIVERS USED WITH APPROPRIATE LUTRON CONTROLS. THE H-H-LIME-A-SERIES LED DRIVER CAN BE USED ON PRODUCTS UNDER 40 WATTS WITH SUITABLE LIGHTING LOCATIONS. PLEASE REFER TO THE SPECIFICATION SUBMITTAL SHEET FOR FURTHER INFORMATION.

IF USING UNTESTED, NON-LUTRON LED DRIVERS REQUIRING 0-10V CONTROL, PERFORMANCE AND COMPATIBILITY CANNOT BE GUARANTEED BY LUTRON. PRODUCTS FOLLOWING THE IEC STANDARD 8659 ARE MORE LIKELY TO PROVIDE ACCEPTABLE PERFORMANCE RESULTS. DETERMINATION OF RESULT ACCEPTABILITY IS UP TO THE USER'S DISCRETION.

IF USING UNTESTED, NON-LUTRON LED DRIVERS REQUIRING PHASE CONTROL, PERFORMANCE AND COMPATIBILITY CANNOT BE GUARANTEED BY LUTRON. A-SERIES OR ELV PRODUCTS PROVIDING HIGH END AND LOW END TRIM ADJUSTMENTS ARE MORE LIKELY TO PROVIDE ACCEPTABLE PERFORMANCE RESULTS. DETERMINATION OF RESULT ACCEPTABILITY IS UP TO THE USER'S DISCRETION.

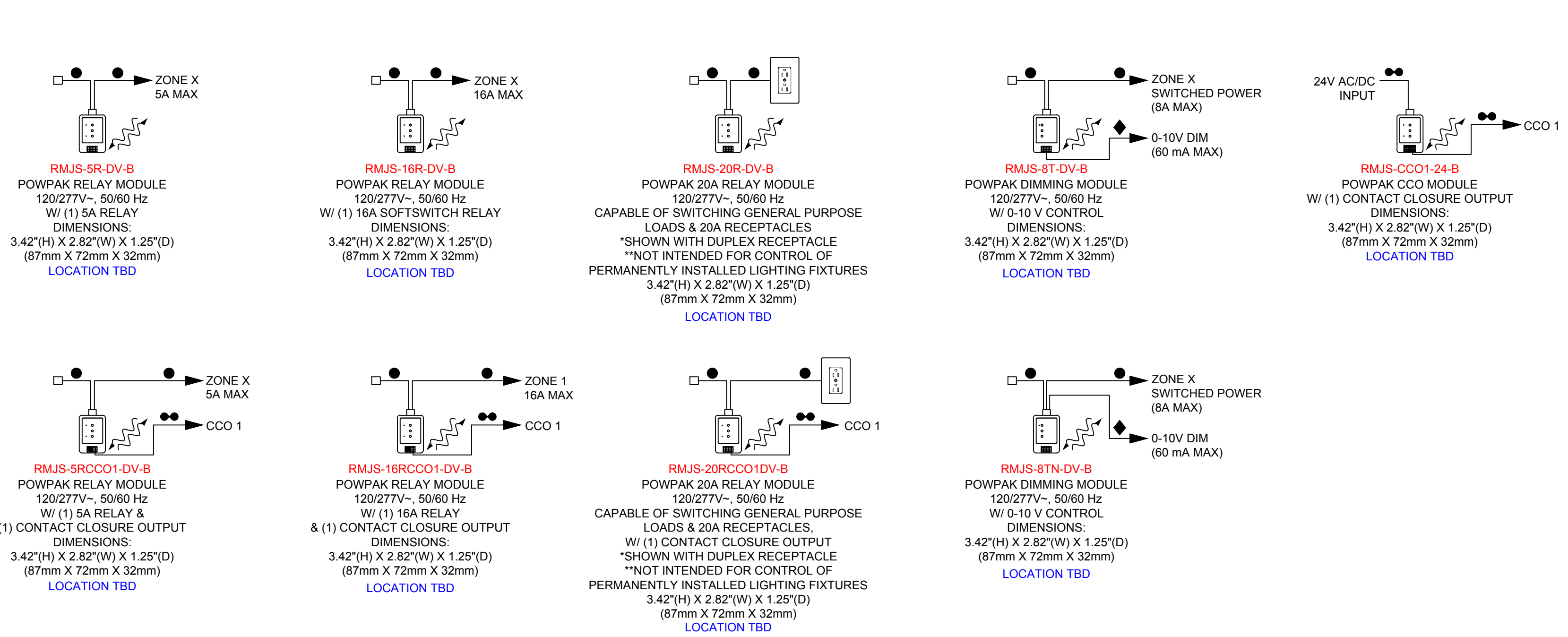
TYPICAL WALLBOX LOAD CONTROLS

MAX OF 71' FROM VIVE HUB AND LOCATED ON SAME FLOOR



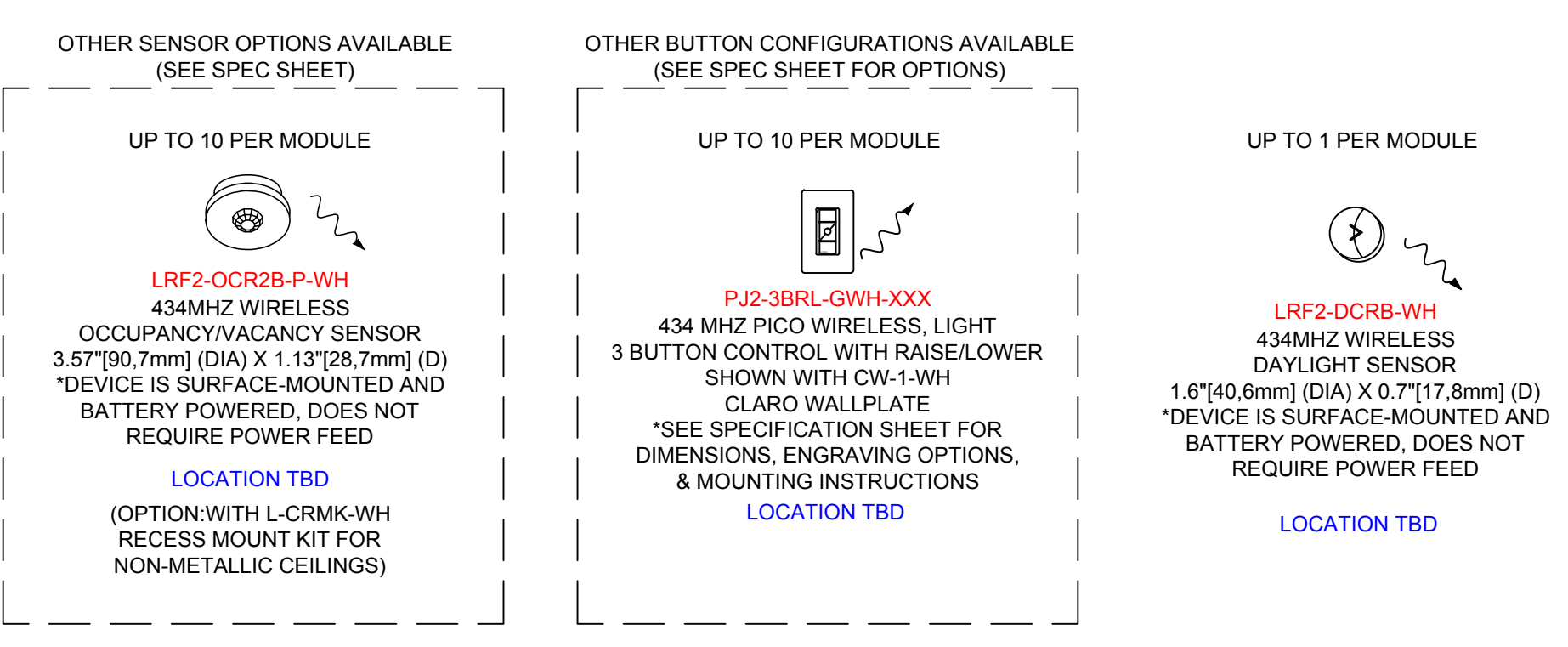
TYPICAL LOAD CONTROL MODULES

MAX OF 71' FROM VIVE HUB AND LOCATED ON SAME FLOOR



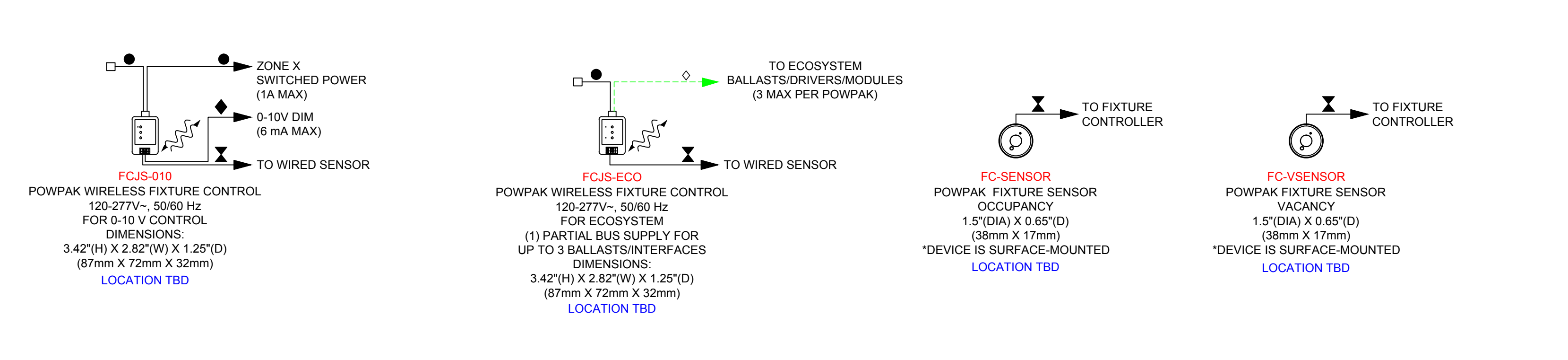
TYPICAL SENSORS & REMOTE CONTROLS

MAX OF 30' TO LOAD DEVICES - MAX OF 71' FROM VIVE HUB AND LOCATED ON THE SAME FLOOR



TYPICAL PER FIXTURE LOAD CONTROL MODULES & SENSORS

MAX OF 71' FROM VIVE HUB AND LOCATED ON SAME FLOOR



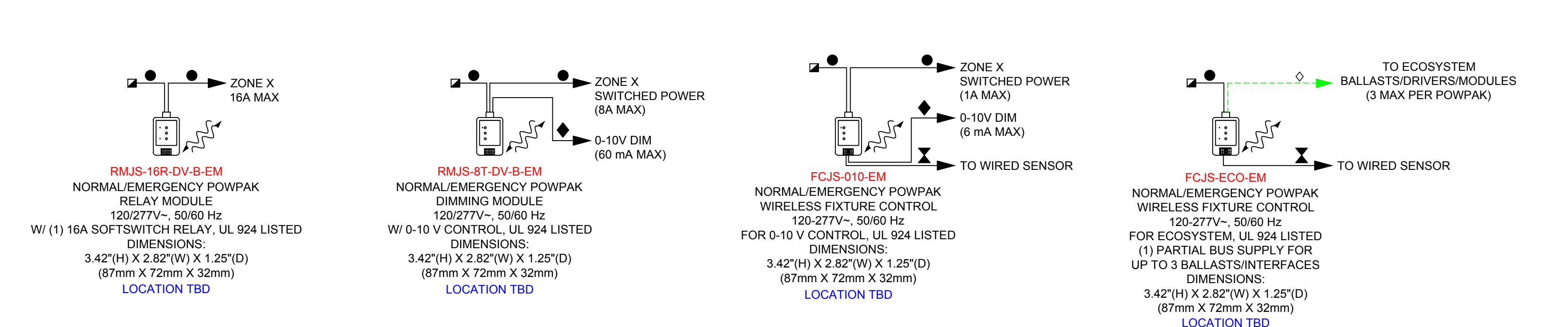
TYPICAL WIRELESS RECEPTACLES

MAX OF 71' FROM VIVE HUB AND LOCATED ON SAME FLOOR



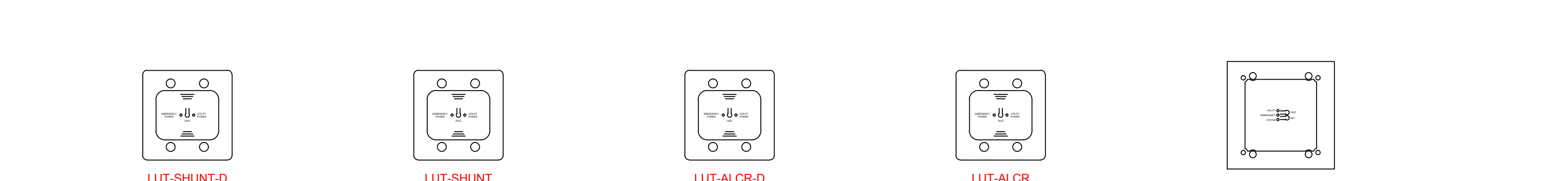
TYPICAL UL924 LISTED EMERGENCY LOAD CONTROLS

MAX OF 71' FROM VIVE HUB AND LOCATED ON SAME FLOOR



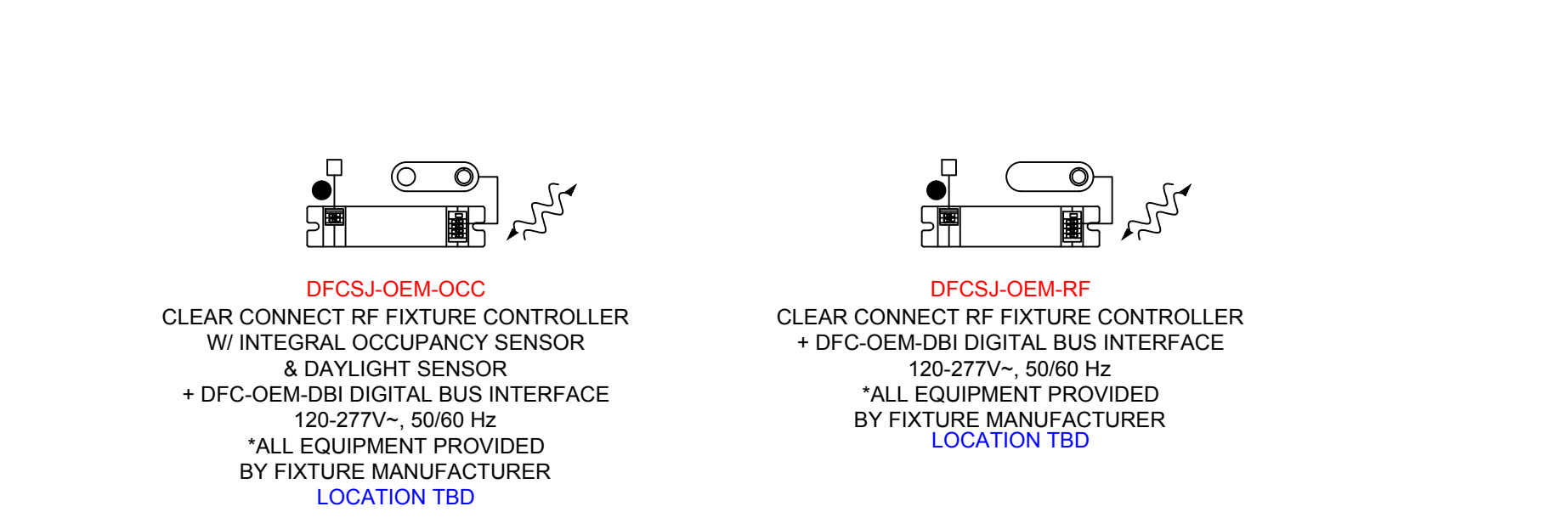
TYPICAL LOAD SIDE TRANSFER RELAYS

PROVIDED BY LVS CONTROLS - CONTACT YOUR LUTRON REPRESENTATIVE FOR MORE INFORMATION

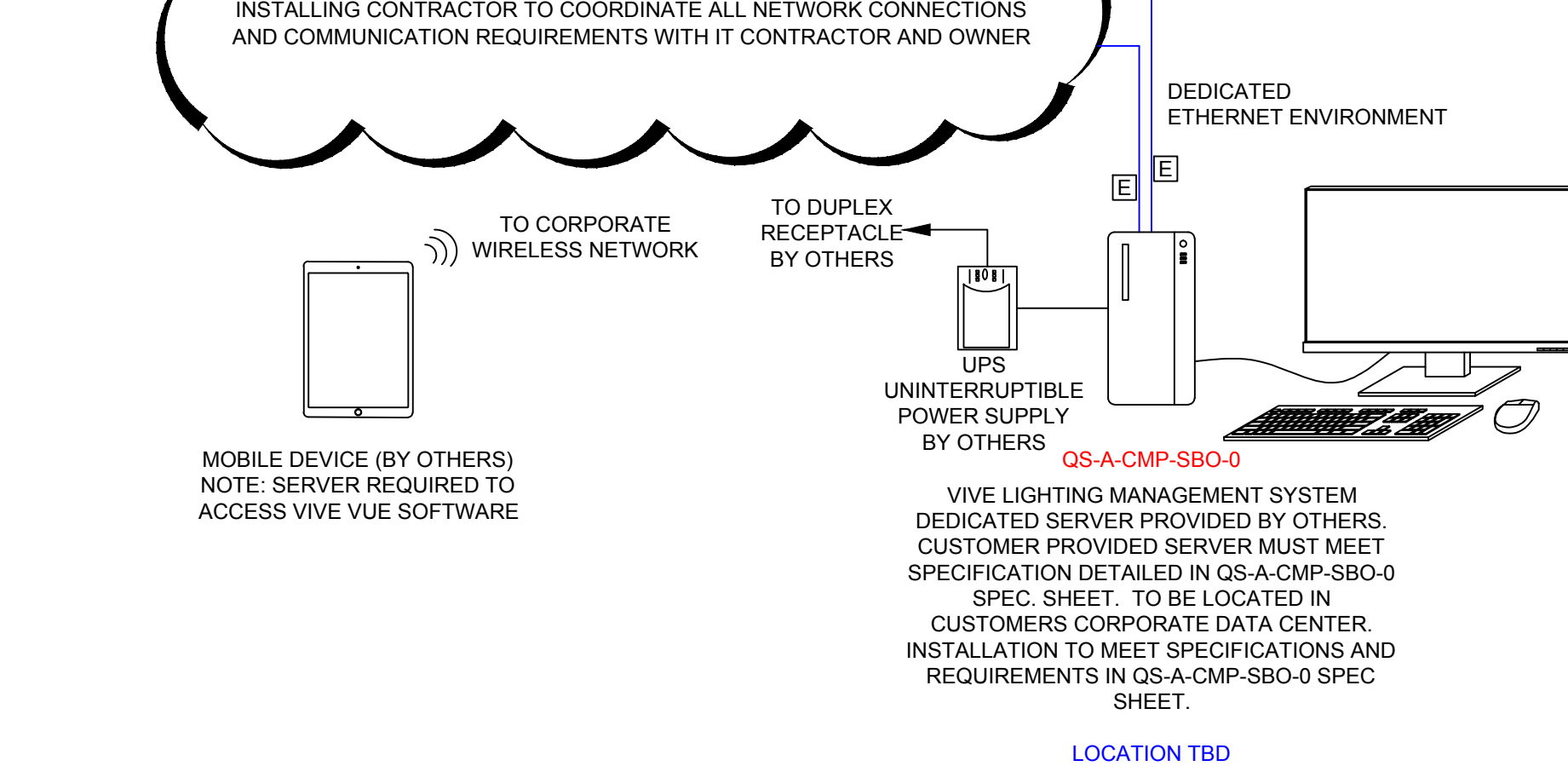


TYPICAL CLEAR CONNECT WIRELESS FIXTURE CONTROLS (OEM SUPPLIED)

MAX OF 71' FROM VIVE HUB AND LOCATED ON SAME FLOOR



CORPORATE WIRELESS NETWORK (BY OTHERS)



LUTRON NOTES:

ALL DIMMING BALLASTS TO BE LUTRON ECOSYSTEM, ECOSYSTEM H-SERIES, OR H-LIME-A-SERIES. DIMMERS TO BE LUTRON H-H-LIME-A-SERIES, H-H-LIME-A-SERIES OR H-H-LIME-A-SERIES UNLESS OTHERWISE NOTED.

ALL DIMMING BALLASTS TO BE LUTRON H-H-LIME-A-SERIES, H-H-LIME-A-SERIES OR H-H-LIME-A-SERIES UNLESS OTHERWISE NOTED.

ARCHITECT TO VERIFY QUANTITY, LOCATION & FRESH OF ALL CONTROLS.

ALL FACILITY-LEVEL DIMMING SWITCHES RECEPTACLES & CABLEPHONE JACKS TO BE LUTRON NOVA-T UNLESS OTHERWISE NOTED.

LUTRON FIELD SERVICE STARTUP INCLUDED IN ALL SYSTEMS INITIATES A 2 YEAR LIMITED WARRANTY. THE ELECTRICAL CONTRACTOR MUST CONTACT LUTRON (1-844-688-7661) TO SET UP VISIT WITH 45 DAYS NOTICE.

LUTRON SERVICES

COUNT OF EACH SERVICE SPECIFIED	SERVICE TITLE (MODEL NUMBER)	SERVICE DESCRIPTION
		THE COUNTS OF SERVICES BELOW ARE TO BE INCLUDED AS PART OF THIS PROJECT'S SCOPE OF WORK AND SPECIFIED INTO THE WRITTEN SPEC DOCUMENTS.
	PRE-STARTUP SERVICES	
ON-SITE PRE-STARTUP (LSC-PPRE-01)		ON-SITE VISIT WITH ELECTRICAL CONTRACTOR TO DISCUSS LOGICAL CONNECTIONS, CONSTRUCTION SCHEDULE, A LUTRON SYSTEM CHECK, CONSTRUCTION SCHEDULE, A LUTRON SYSTEM CHECK, CONSTRUCTION SCHEDULE, A LUTRON SYSTEM CHECK, CONSTRUCTION SCHEDULE, A LUTRON SYSTEM CHECK. QUANTITY DETERMINES THE NUMBER OF VISITS PURCHASED.
SYSTEM NETWORK INTEGRATION CONSULTATION (LSC-INT-01)		CONSULTATIVE VISIT WITH THIRD PARTY INTEGRATORS TO COORDINATE THE COUNTS OF SERVICES BELOW ARE TO BE INCLUDED AS PART OF THIS PROJECT'S SCOPE OF WORK AND SPECIFIED INTO THE WRITTEN SPEC DOCUMENTS.
	STARTUP SUPPORT SERVICES	
ON-SITE PROGRAMMING (LSC-OPROG-01)		ON-SITE SYSTEM PROGRAMMING VISIT - UP TO A CONTIGUOUS 8-HOUR PERIOD. SYSTEM PROGRAMMING DELIVERED BY A LUTRON REPRESENTATIVE. THE SYSTEM IS PROGRAMMED PER AN APPROVED SEQUENCE OF OPERATION. QUANTITY DETERMINES THE NUMBER OF 8-HOUR VISITS PURCHASED.
REMOTE PROGRAMMING (LSC-OPROG-02)		REMOTE SYSTEM PROGRAMMING VISIT - UP TO A CONTIGUOUS 8-HOUR PERIOD. SYSTEM PROGRAMMING DELIVERED BY A LUTRON REPRESENTATIVE. THE SYSTEM IS PROGRAMMED PER AN APPROVED SEQUENCE OF OPERATION. QUANTITY DETERMINES THE NUMBER OF 8-HOUR VISITS PURCHASED.
ON-SITE SCENE TO BE CREATED (LSC-SCEN-01)		ON-SITE VISIT WITH THE SPECIFIER OR CUSTOMER REPRESENTATIVE TO BE CREATED. QUANTITY DETERMINES THE NUMBER OF VISITS PURCHASED.
ON-SITE SCENE TO BE MODIFIED (LSC-SCEN-02)		ON-SITE VISIT WITH THE SPECIFIER OR CUSTOMER REPRESENTATIVE TO BE MODIFIED. QUANTITY DETERMINES THE NUMBER OF VISITS PURCHASED.
	POST-STARTUP SERVICES	
CUSTOMER TRAINING (LSC-TRN-01)		A VISIT TO TRAIN SYSTEM USERS HOW TO OPERATE AND MAINTAIN THE SYSTEM. QUANTITY DETERMINES THE NUMBER OF VISITS PURCHASED.
SYSTEM TROUBLESHOOTING (LSC-TRN-02)		ON-SITE CONSULTATIVE VISIT TO IDENTIFY & REMEDIATE LIGHTING SYSTEM ISSUES. QUANTITY DETERMINES THE NUMBER OF VISITS PURCHASED.
	MAINTENANCE & SUPPORT SERVICES	
ENHANCED SILVER (LSC-ENH-01)		YEAR 1 - 10% REPLACEMENT PARTS & NON-LUTRON LABOR COVERAGE WITH A 2-HOUR RESPONSE TIME AND AN ANNUAL 15-DAY SCHEDULED PREVENTATIVE MAINTENANCE VISIT (EQUIPMENT ONLY) COVERAGE.
ENHANCED GOLD (LSC-ENH-02)		YEAR 1 - 10% REPLACEMENT PARTS & NON-LUTRON LABOR COVERAGE WITH A 2-HOUR RESPONSE TIME AND AN ANNUAL 15-DAY SCHEDULED PREVENTATIVE MAINTENANCE VISIT (EQUIPMENT ONLY) COVERAGE. YEARS 2-20: PARTS ONLY COVERAGE.
ENHANCED PLATINUM (LSC-ENH-03)		YEAR 1 - 10% REPLACEMENT PARTS & NON-LUTRON LABOR COVERAGE WITH A 2-HOUR RESPONSE TIME AND AN ANNUAL 15-DAY SCHEDULED PREVENTATIVE MAINTENANCE VISIT (EQUIPMENT ONLY) COVERAGE. YEARS 2-20: PARTS ONLY COVERAGE.
ENHANCED DIAMOND (LSC-ENH-04)		YEAR 1 - 10% REPLACEMENT PARTS & NON-LUTRON LABOR COVERAGE WITH A 2-HOUR RESPONSE TIME AND AN ANNUAL 15-DAY SCHEDULED PREVENTATIVE MAINTENANCE VISIT (EQUIPMENT ONLY) COVERAGE. YEARS 2-20: PARTS ONLY COVERAGE.
	SILVER REPLACEMENT PARTS (LSC-REP-01)	AN ANNUAL SERVICE PLAN THAT COVERS 10% REPLACEMENT PARTS AND NON-LUTRON LABOR COVERAGE. YEARS 2-20: PARTS ONLY COVERAGE. ON-SITE OR REMOTE RESPONSE TIME.
	GOLD REPLACEMENT PARTS (LSC-REP-02)	AN ANNUAL SERVICE PLAN THAT COVERS 10% REPLACEMENT PARTS AND NON-LUTRON LABOR COVERAGE. YEARS 2-20: PARTS ONLY COVERAGE. ON-SITE OR REMOTE RESPONSE TIME.
	PLATINUM REPLACEMENT PARTS (LSC-REP-03)	AN ANNUAL SERVICE PLAN THAT COVERS 10% REPLACEMENT PARTS AND NON-LUTRON LABOR COVERAGE. YEARS 2-20: PARTS ONLY COVERAGE. ON-SITE OR REMOTE RESPONSE TIME.
	DIAMOND REPLACEMENT PARTS (LSC-REP-04)	AN ANNUAL SERVICE PLAN THAT COVERS 10% REPLACEMENT PARTS AND NON-LUTRON LABOR COVERAGE. YEARS 2-20: PARTS ONLY COVERAGE. ON-SITE OR REMOTE RESPONSE TIME.
	PREVENTATIVE MAINTENANCE (LSC-PM-01)	YEARLY SCHEDULED MAINTENANCE VISIT TO PREVENTATIVE MAINTENANCE, UNDER PROGRAMMING, AND CONDUCT SYSTEM TROUBLESHOOTING. QUANTITY DETERMINES THE NUMBER OF VISITS PURCHASED.

PLEASE GO TO WWW.LUTRON.COM/SERVICES FOR FURTHER INFORMATION.

TYPICAL VIVE SYSTEM

LOCATION TBD

CONCEPT DRAWING NOT FOR CONSTRUCTION

Project Number:	N/A
Drawn By:	CMT
Drawing Revision:	0
Drawing Date:	SPRING 2018
Sheet:	1 OF 1

