

Vive

VIVE COMPATIBLE

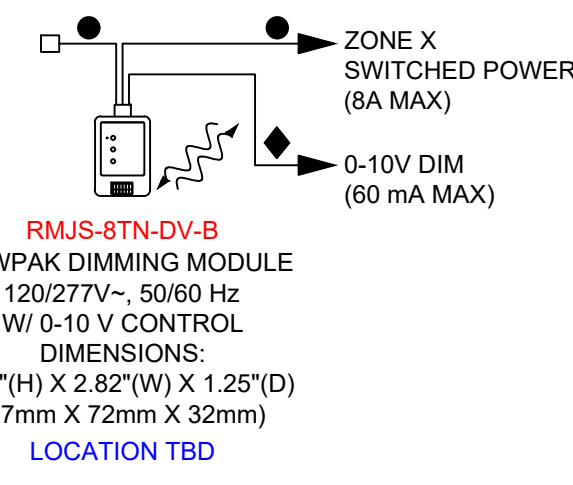
VIVE & ENERGI TRIPAK

BLOCK LIBRARY

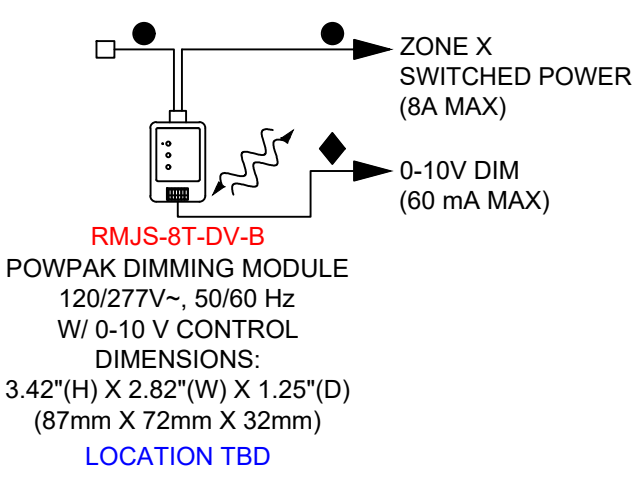
WIRING LEGEND:

- INPUT POWER (NORMAL)
- 2 #12AWG (4 mm²)
- 0-10V SIGNAL 2 #18AWG (1.0 mm²)
- ◇ ECOSYSTEM BUS LOOP
- LUTRON CABLE C-CBL-216-GR-1 (2 #16 CONDUCTOR NON-FRANM) OR C-CBL-216-CL-1 (2 #16 CONDUCTOR FLENUM RATED). OTHERWISE USE 2 #16 AWG (1.5 mm²) BY OTHERS
- 2 #18AWG (1.0 mm²)
- ⊗ LUTRON SENSOR CABLE C-CBL-522S OTHERWISE USE #22 AWG (1.0 mm²)
- ⊥ 1-WAY RF COMMUNICATION
- ⊥ 2-WAY RF COMMUNICATION

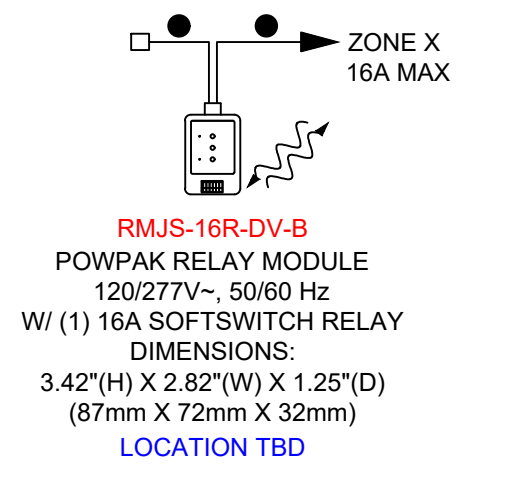
RMJS-8TN-DV-B



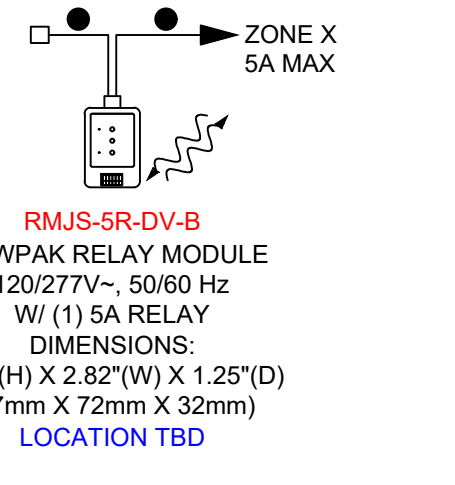
RMJS-8T-DV-B



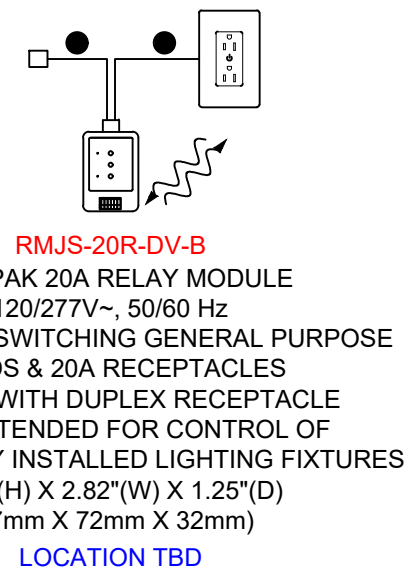
RMJS-16R-DV-B



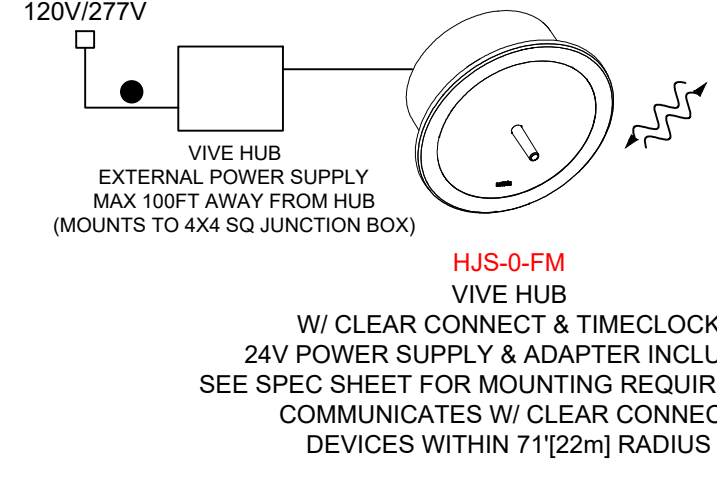
RMJS-5R-DV-B



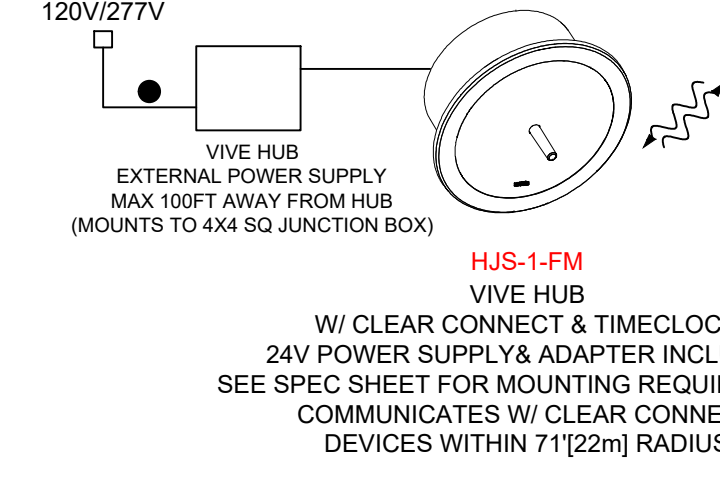
RMJS-20R-DV-B



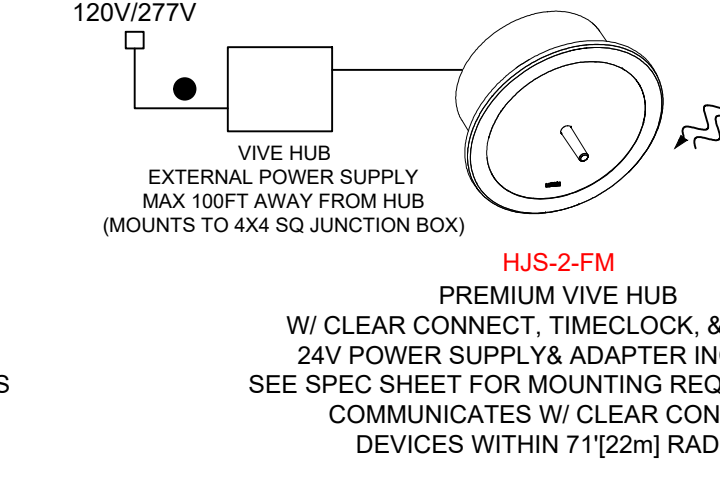
HJS-0



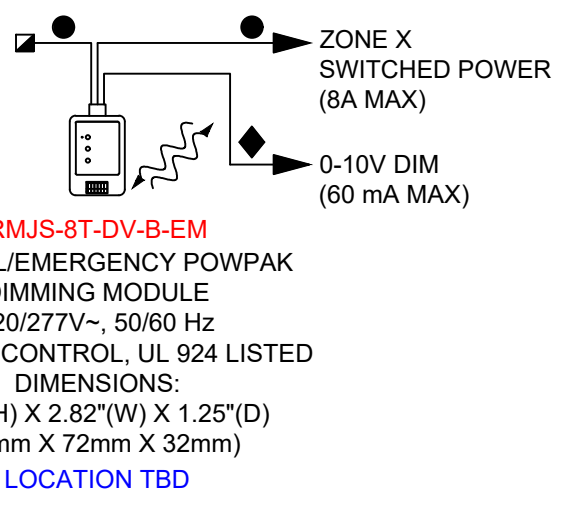
HJS-1



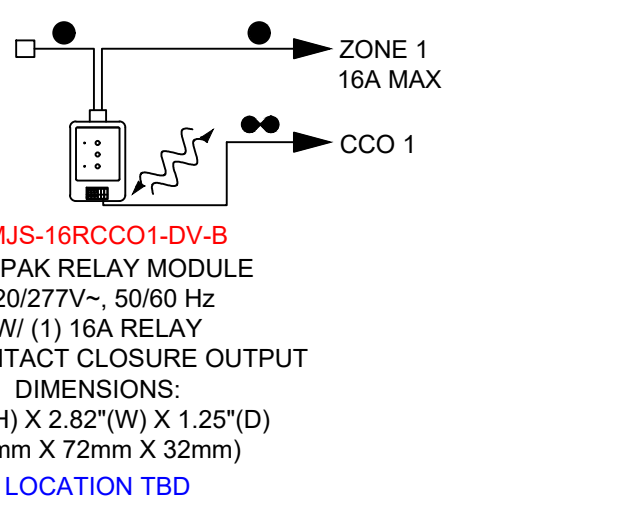
HJS-2



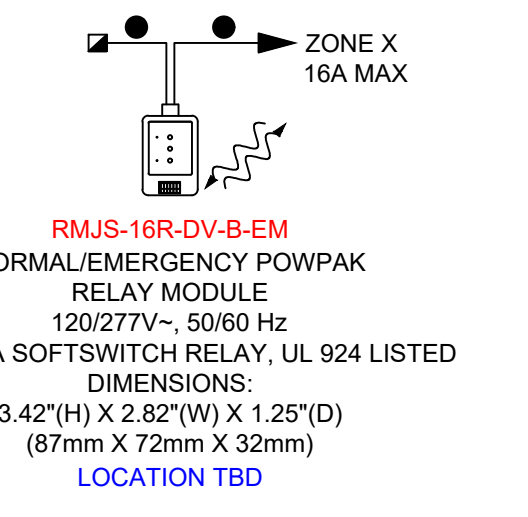
RMJS-8T-DV-B-EM



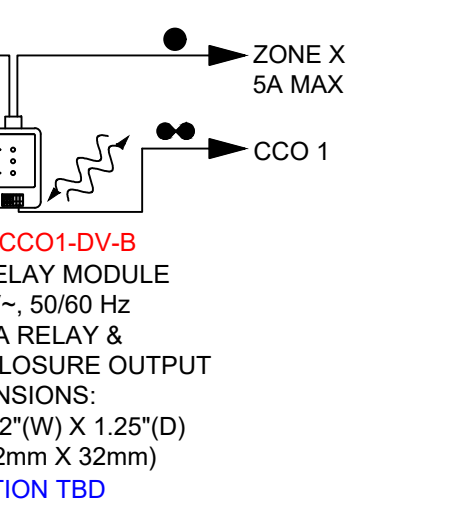
RMJS-16RCCO1-DV-B



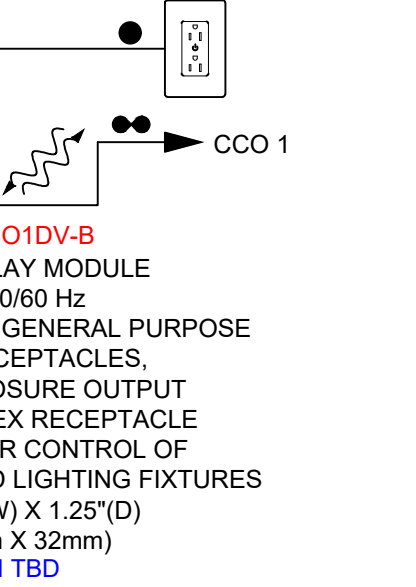
RMJS-16R-DV-B-EM



RMJS-5RCCO1-DV-B



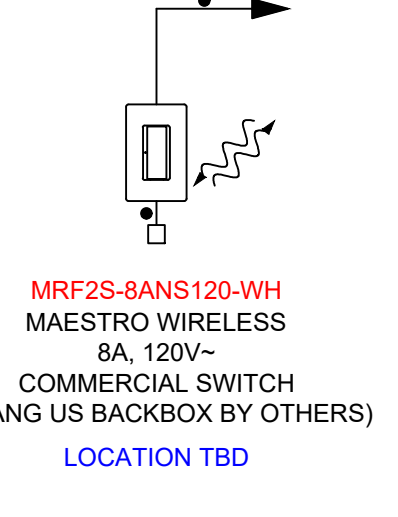
RMJS-20RCCO1DV-B



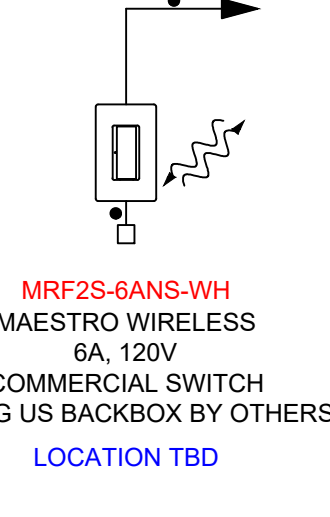
MRF2S-8S-DV-WH



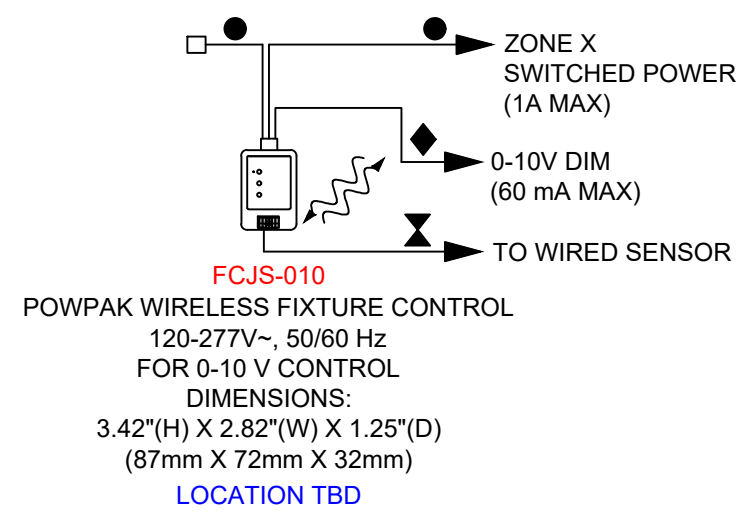
MRF2S-8ANS-120-WH



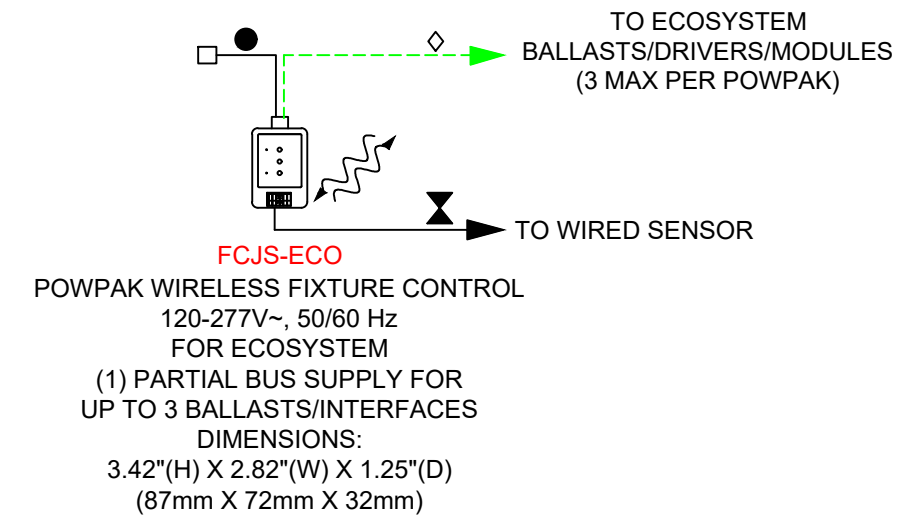
MRF2S-6ANS-WH



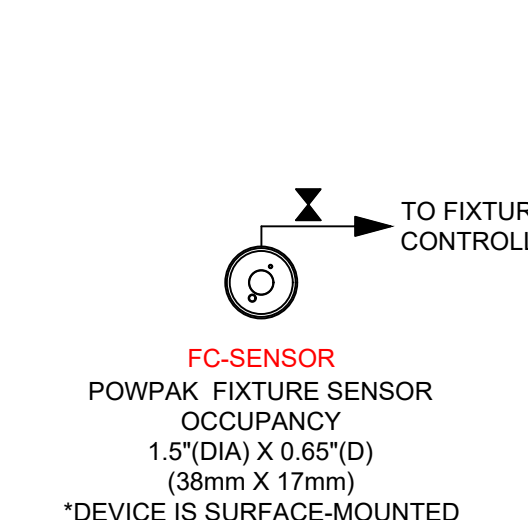
FCJS-010



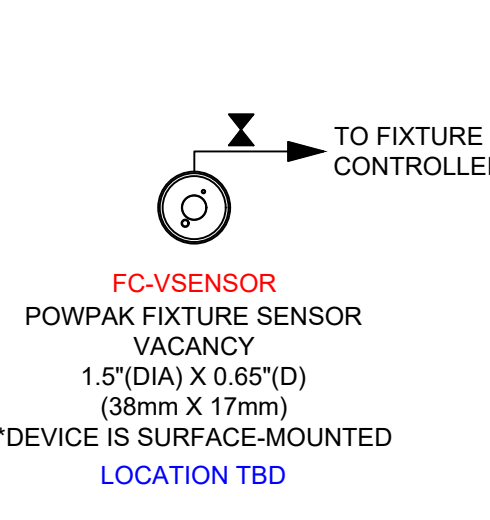
FCJS-ECO



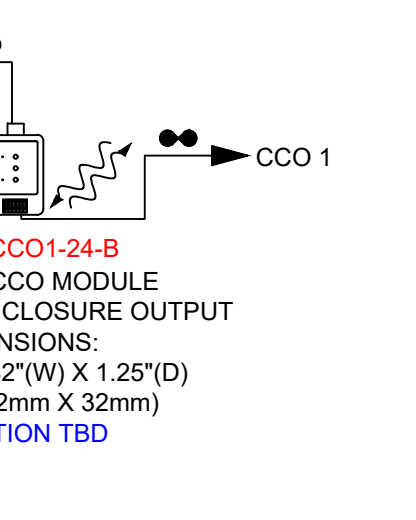
FC-SENSOR



FC-VSENSOR



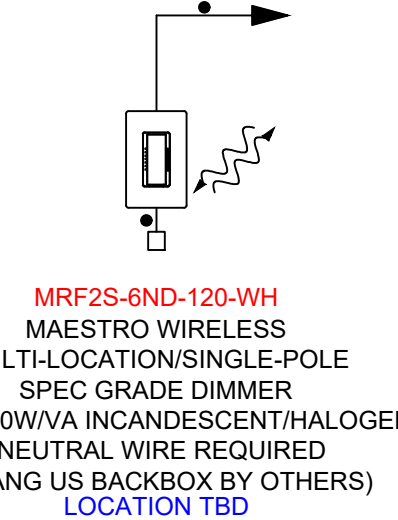
RMJS-CCO1-24-B



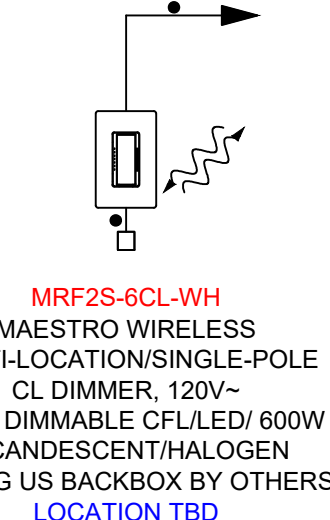
MRF2S-6ELV-120



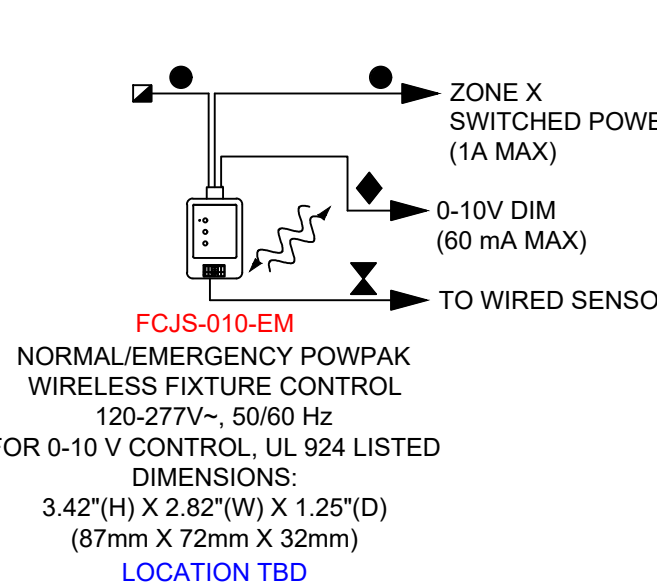
MRF2S-6ND



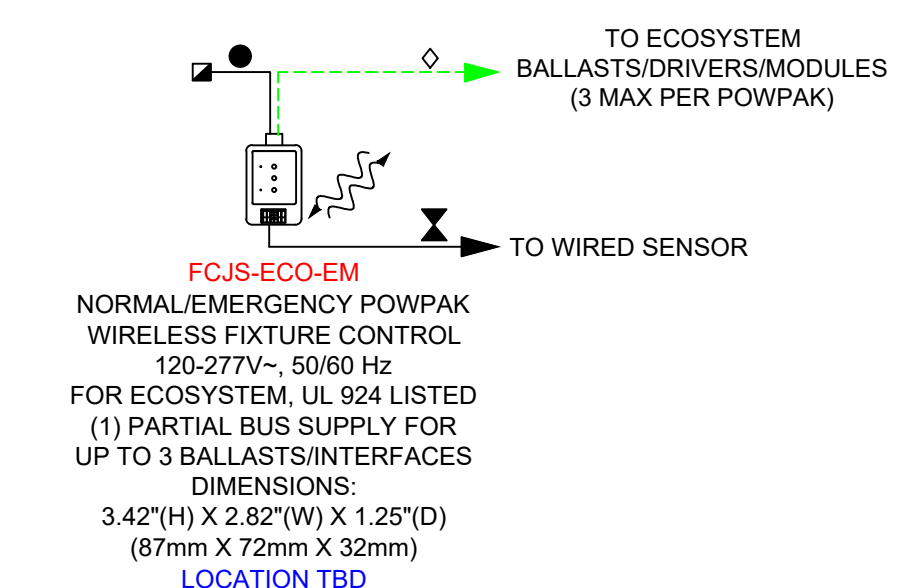
MRF2S-6CL



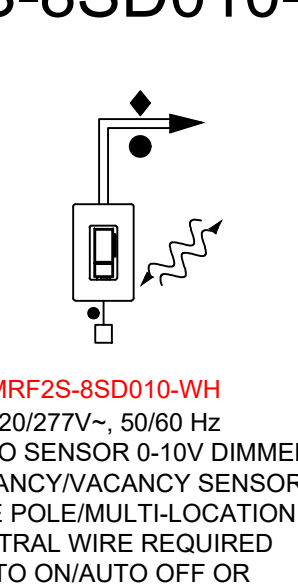
FCJS-010-EM



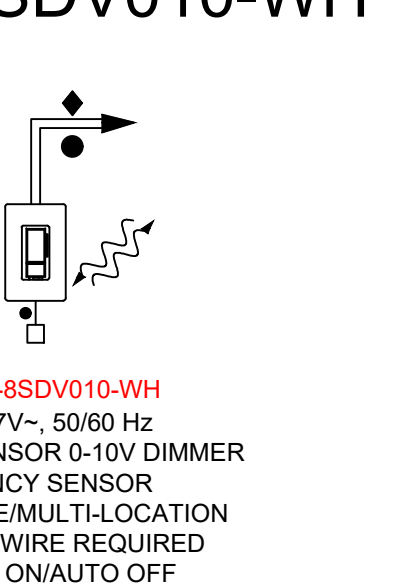
FCJS-ECO-EM



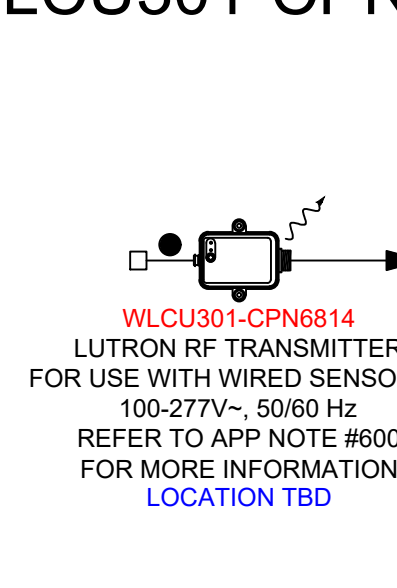
MRF2S-8SD010-WH



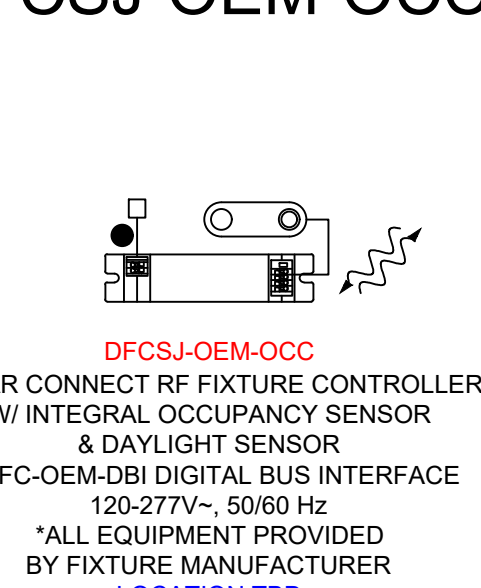
MRF2S-8SDV010-WH



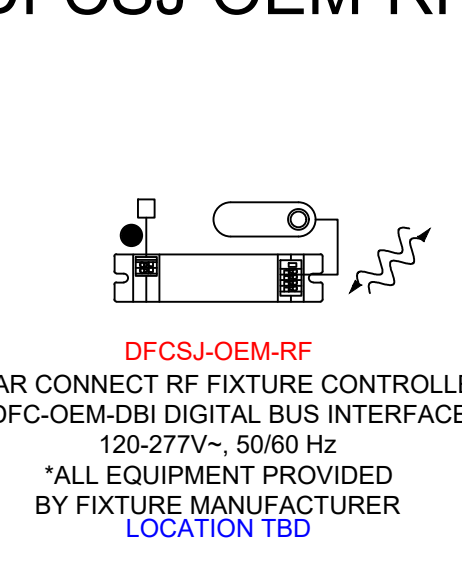
WLCU301-CPN6814



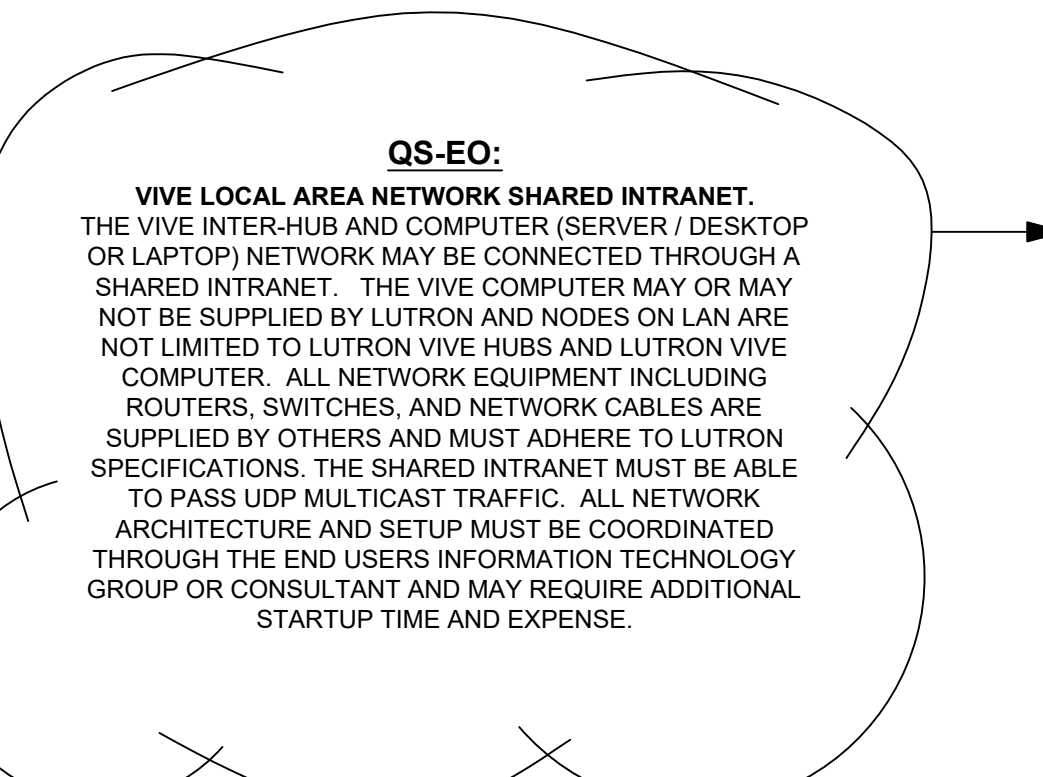
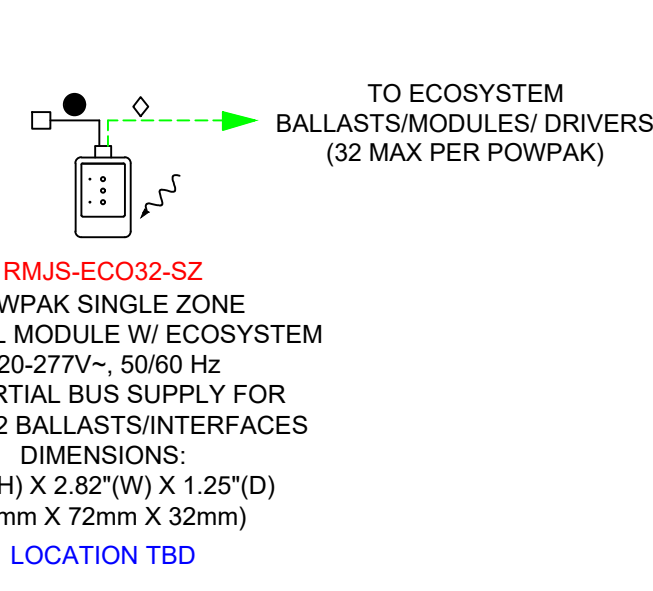
DFCSJ-OEM-OCC



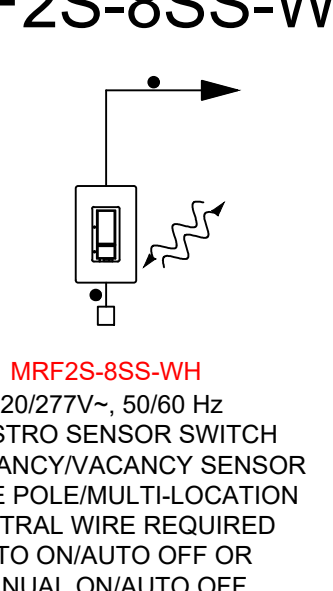
DFCSJ-OEM-RF



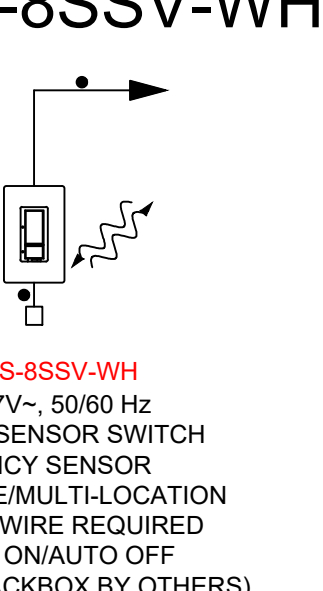
RMJS-ECO32-SZ



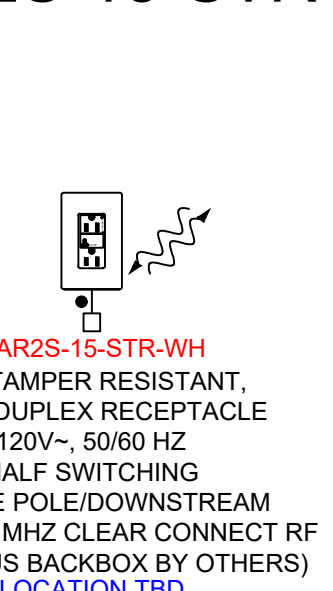
MRF2S-8SS-WH



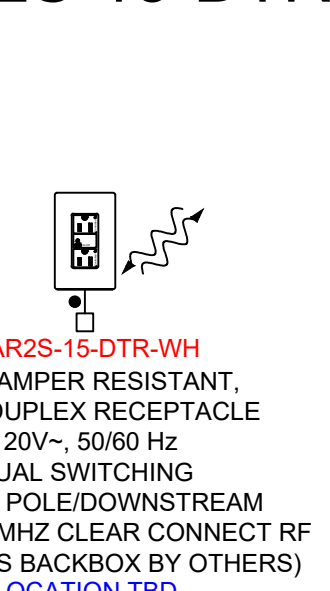
MRF2S-8SSV-WH



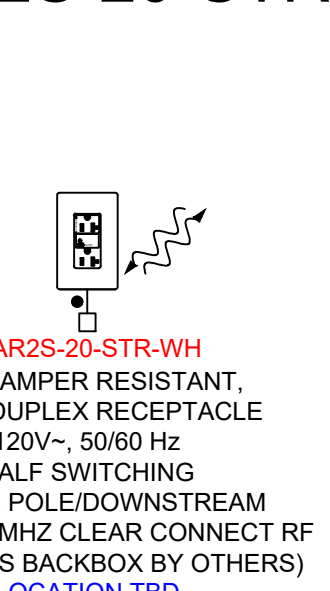
CAR2S-15-STR



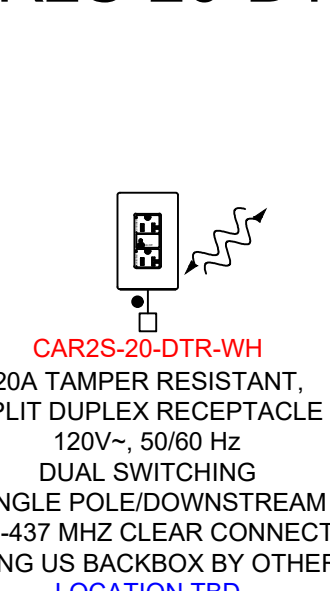
CAR2S-15-DTR



CAR2S-20-STR



CAR2S-20-DTR



Energi Tri-Pak

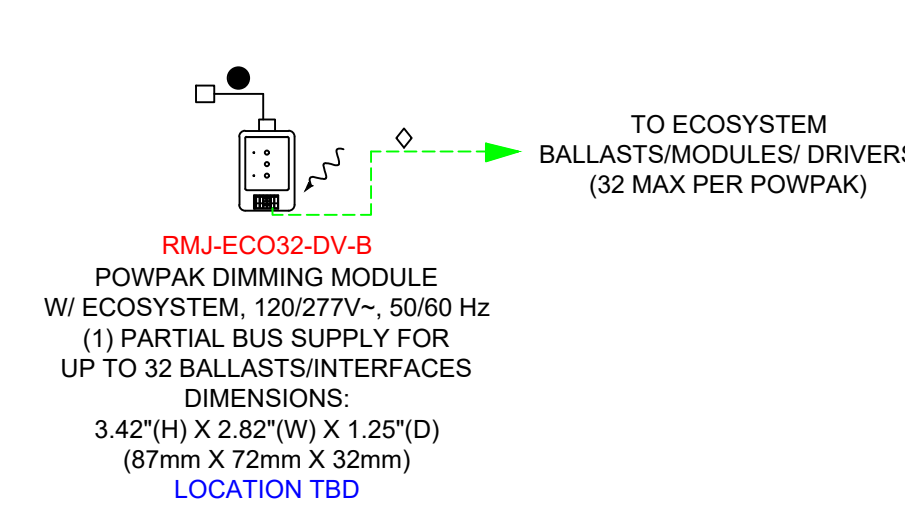
STANDALONE EQUIPMENT

LVS Controls

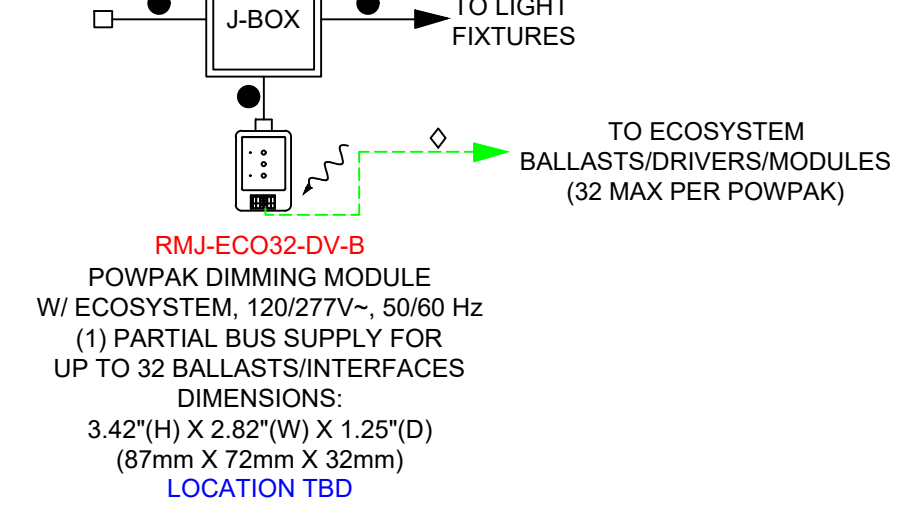
LUTRON-ONLY PRODUCT PURCHASED THROUGH LVS CONTROLS OR LUTRON REP AGENCIES

PowPak Stairwell Fixture

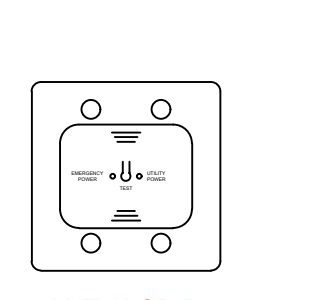
RMJ-ECO32-DV-B



RMJ-ECO32-DV-B WITH JBOX

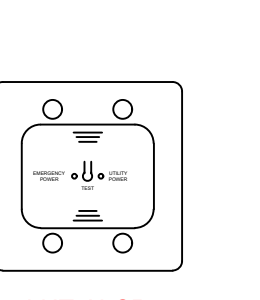


LUT-ALCR-D



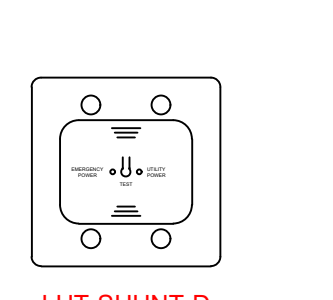
LVS CONTROLS ALCR DEVICE FOR USE WITH 0-10V & ECOSYSTEM LOADS REFER TO APPLICATION NOTE #628 FOR DETAILED WIRING DIAGRAMS

LUT-ALCR



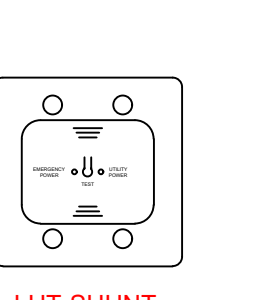
LVS CONTROLS SHUNT RELAY FOR USE WITH SWITCHING LOADS REFER TO APPLICATION NOTE #628 FOR DETAILED WIRING DIAGRAMS

LUT-SHUNT-D



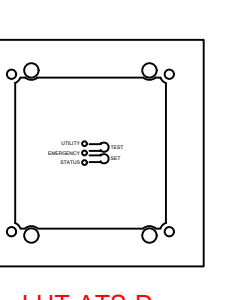
LVS CONTROLS SHUNT RELAY FOR USE WITH 0-10V & ECOSYSTEM LOADS REFER TO APPLICATION NOTE #628 FOR DETAILED WIRING DIAGRAMS

LUT-SHUNT



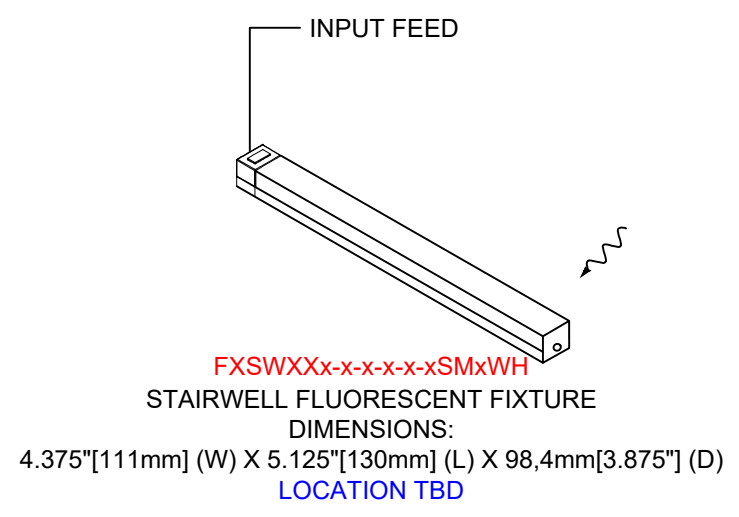
LVS CONTROLS SHUNT RELAY FOR USE WITH LINE VOLTAGE DIMMING LOADS REFER TO APPLICATION NOTE #628 FOR DETAILED WIRING DIAGRAMS

LUT-ATS-D



LVS CONTROLS TRANSFER SWITCH FOR USE WITH LINE VOLTAGE DIMMING LOADS REFER TO APPLICATION NOTE #628 FOR DETAILED WIRING DIAGRAMS

FXSWXXx-x-x-x-x-SMxWH



FXSWXX12SLLxUx-x-xWH

