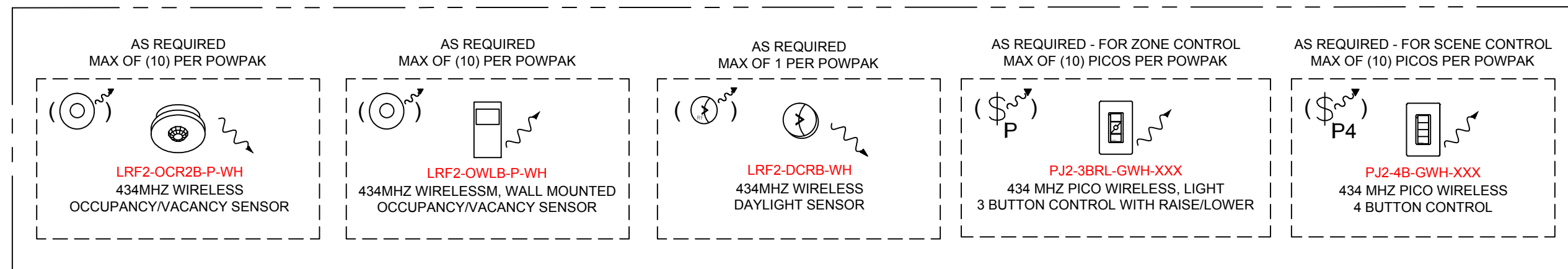
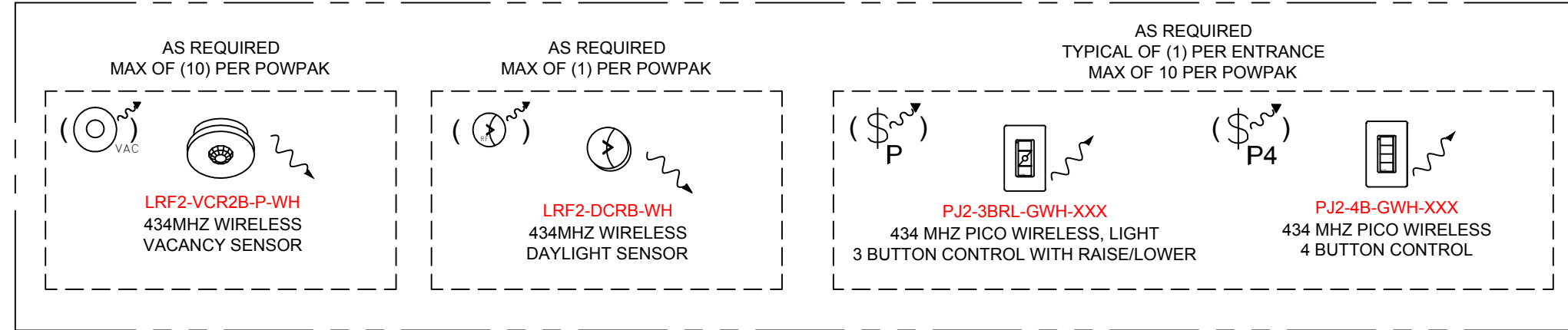


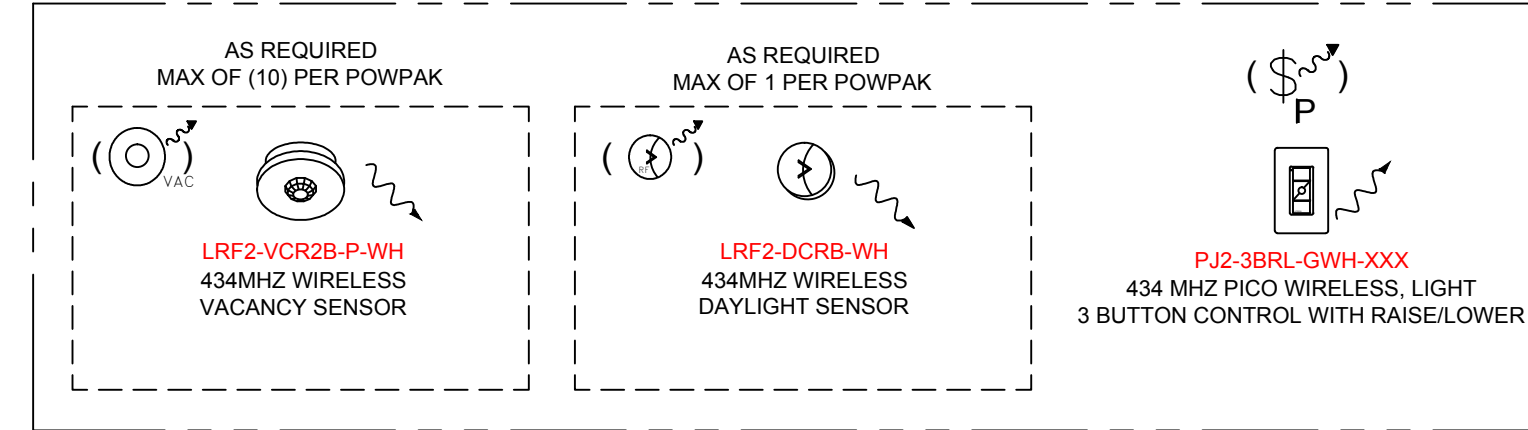
TYPICAL OF RECEPTION, KITCHEN, COMMONS, OPEN OFFICE AREAS & LOUNGES



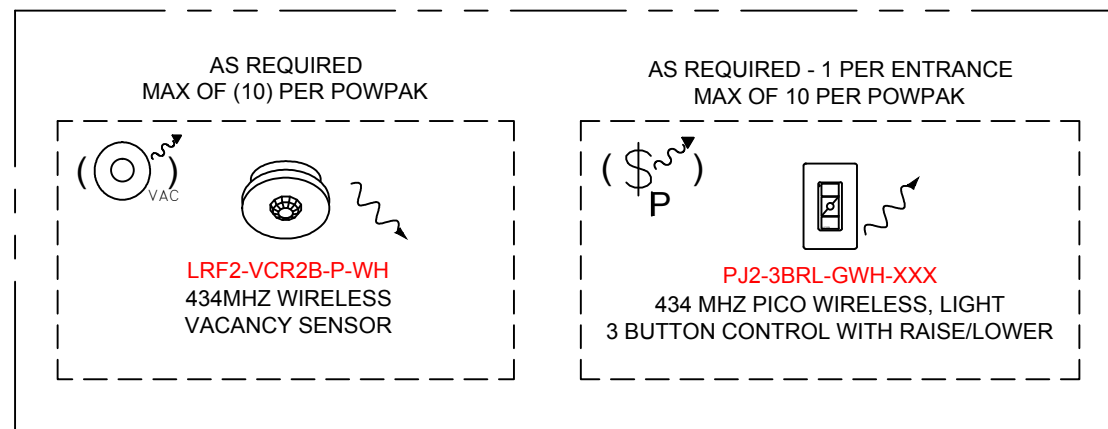
TYPICAL OF LARGER PERIMETER PRIVATE OFFICES & CONFERENCE ROOMS OR CLASSROOMS



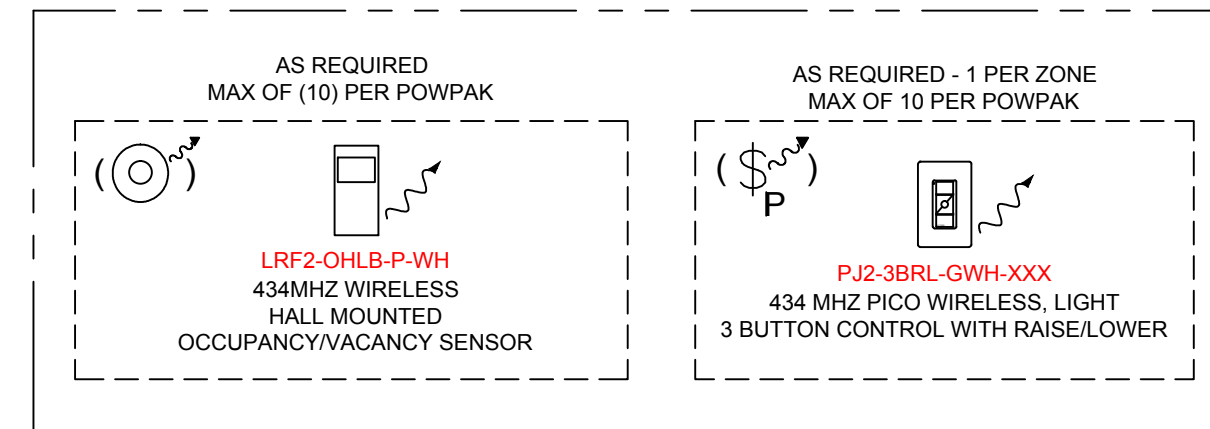
TYPICAL OF SMALLER PERIMETER PRIVATE OFFICES & CONFERENCE ROOMS



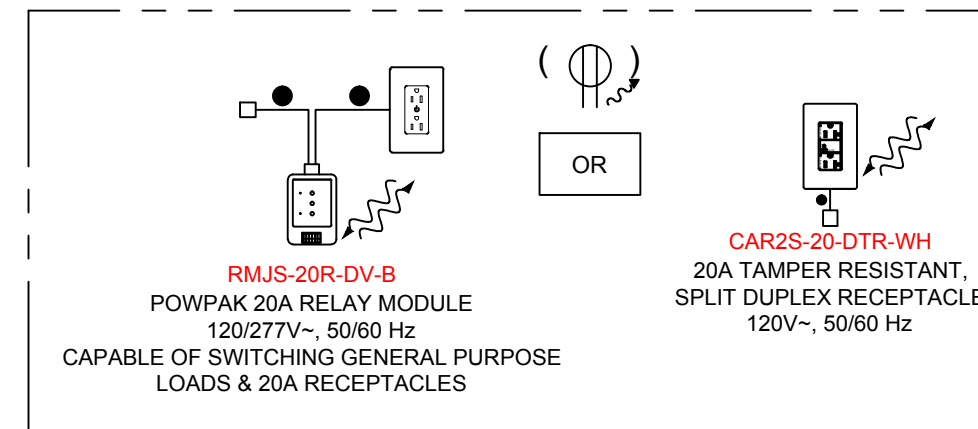
TYPICAL OF INTERIOR PRIVATE OFFICES, STORAGE ROOMS, NURSING ROOMS, CONFERENCE ROOMS, PHONE BOOTHS, WELLNESS ROOMS & RESTROOMS



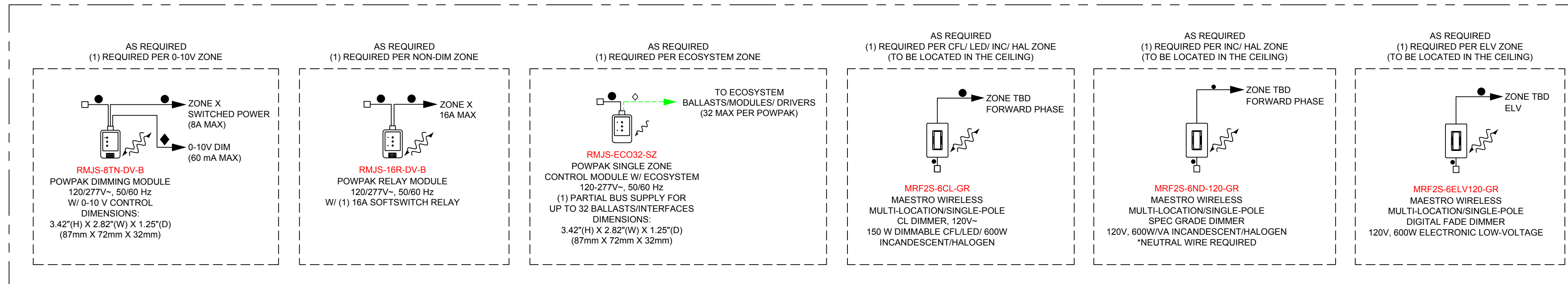
TYPICAL HALLWAY



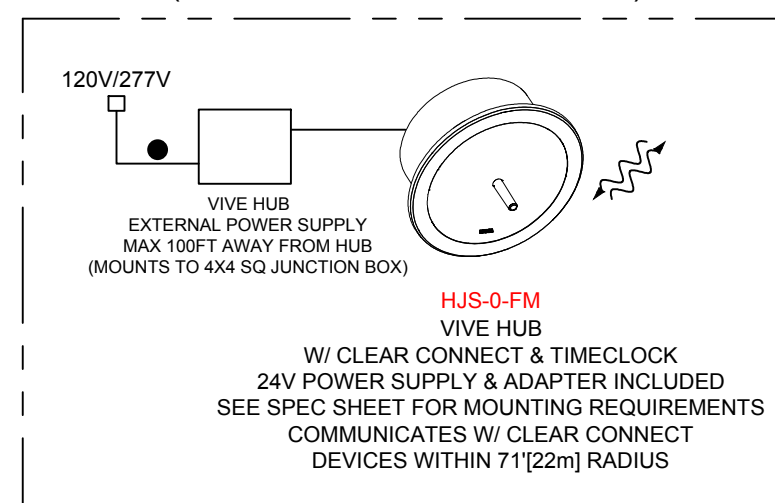
TYPICAL CONTROLLED RECEPTACLES AS REQUIRED WHERE APPLICABLE



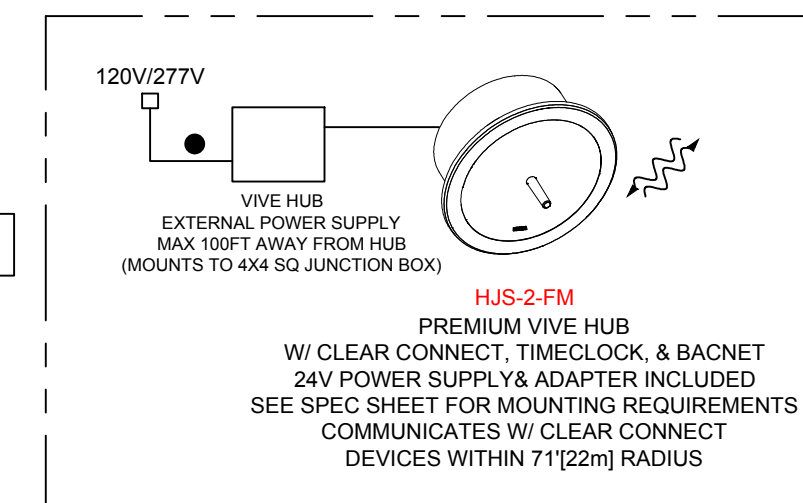
NORMAL LOAD CONTROLLERS AS REQUIRED PER DIMMING TYPE



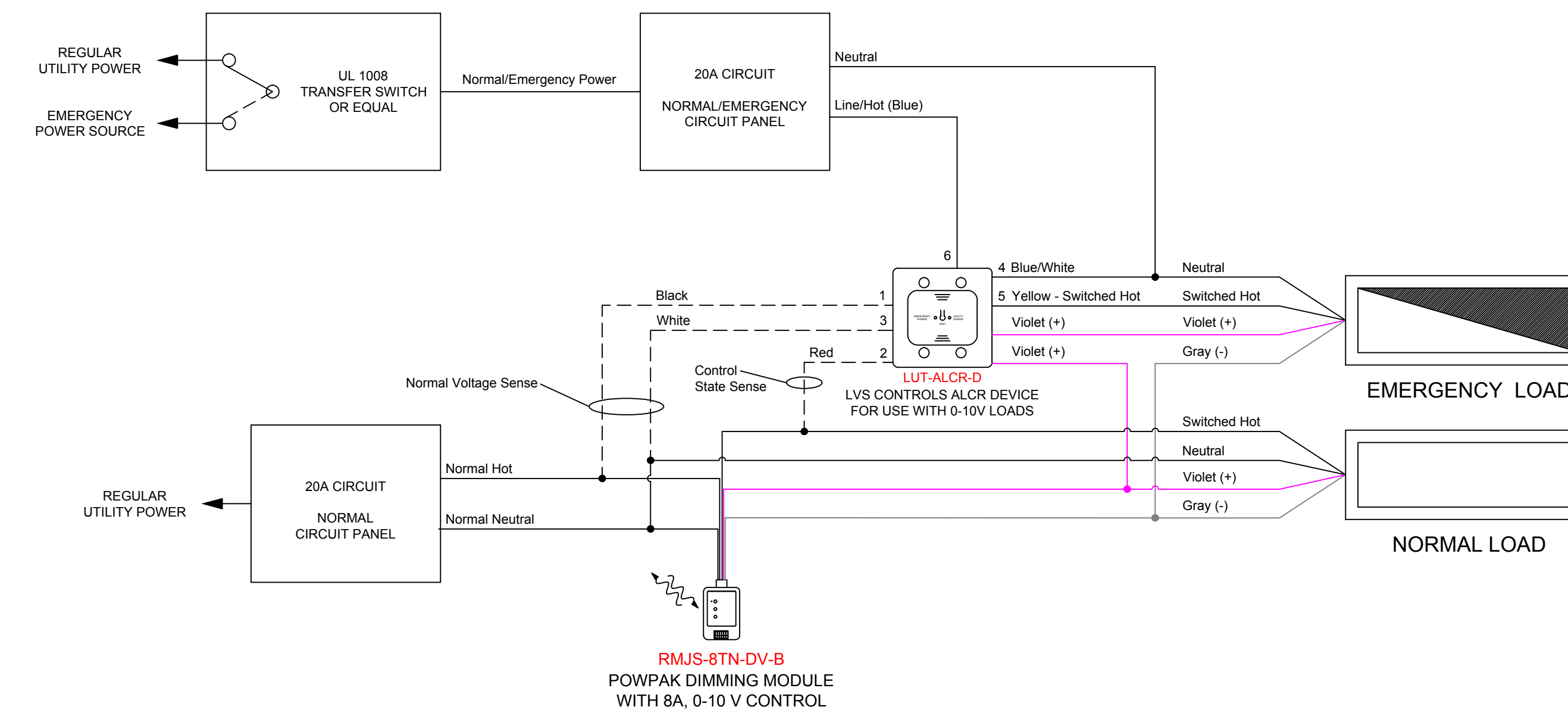
TYPICAL VIVE HUB FOR SYSTEM PROGRAMMING, DEMAND RESPONSE, AND TIMECLOCK (OTHER OPTIONS AVAILABLE)



TYPICAL VIVE HUB FOR SYSTEM PROGRAMMING, BMS INTEGRATION, DEMAND RESPONSE, AND TIMECLOCK (OTHER OPTIONS AVAILABLE)



ALCR DEVICE FOR CONTROL OF BOTH NORMAL AND EMERGENCY 0-10V LOADS



LUTRON NOTES:  
E.E. TO CONFIRM ALL CIRCUITING REQUIREMENTS.  
ARCHITECT TO VERIFY QUANTITY, LOCATION & FINISH OF ALL CONTROLS.

LUTRON SERVICES

COUNT OF EACH SERVICE SPECIFIED	SERVICE TITLE (MODEL NUMBER)	SERVICE DESCRIPTION
STARTUP SUPPORT SERVICES		
ON SITE PROGRAMMING - 1 HOUR BLOCK (LSC-OS-PROG8-SP)	ON SITE PROGRAMMING VISIT - UP TO 4 CONTIGUOUS HOURS OF SYSTEM PROGRAMMING DELIVERED BY A LUTRON SERVICES REPRESENTATIVE. THE SYSTEM WILL BE PROGRAMMED PER AN APPROVED SEQUENCE OF OPERATION. QUANTITY DICTATES THE NUMBER OF 8-HOUR VISITS PURCHASED.	
ON SITE PROGRAMMING - 4 HOUR BLOCK (LSC-OS-PROG4-SP)	ON SITE SYSTEM PROGRAMMING VISIT - UP TO 4 CONTIGUOUS HOURS OF SYSTEM PROGRAMMING DELIVERED BY A LUTRON SERVICES REPRESENTATIVE. THE SYSTEM WILL BE PROGRAMMED PER AN APPROVED SEQUENCE OF OPERATION. QUANTITY DICTATES THE NUMBER OF 4-HOUR VISITS PURCHASED.	
REMOTE PROGRAMMING (LSC-RMT-PROG4-SP)	REMOTE SYSTEM PROGRAMMING VISIT - UP TO 4 CONTIGUOUS HOURS OF SYSTEM PROGRAMMING DELIVERED BY A DEDICATED FACTORY CERTIFIED REMOTE TECHNICIAN EITHER VIA A REMOTE NETWORK CONNECTION OR WITH THE ASSISTANCE OF AN ELECTRICAL CONTRACTOR OVER THE PHONE. THE SYSTEM WILL BE PROGRAMMED PER AN APPROVED SEQUENCE OF OPERATION. QUANTITY DICTATES THE NUMBER OF 4-HOUR SESSIONS PURCHASED.	
FULL SCOPE VIVE STARTUP (LSC-OS-SU-VIVE)	VIVE SYSTEM ON SITE STARTUP - A VISIT BY A LUTRON SERVICES REPRESENTATIVE HEAD AFTER LUTRON EQUIPMENT IS INSTALLED. EQUIPMENT INSTALLATION IS VERIFIED AND THE SYSTEM IS PROGRAMMED PER THE APPROVED SEQUENCE OF OPERATIONS. THE SYSTEM IS TESTED UPON THE COMPLETION OF PROGRAMMING. SYSTEM TRAINING IS DELIVERED.	

PLEASE GO TO WWW.LUTRON.COM/SERVICES FOR FURTHER INFORMATION.

WIRING LEGEND:

- INPUT POWER (NORMAL)
- 2 #12AWG (4 mm<sup>2</sup>)
- ◆ 0-10V SIGNAL: 2 #18AWG (1.0 mm<sup>2</sup>)
- ↔ 1-WAY RF COMMUNICATION
- ↔ 2-WAY RF COMMUNICATION

SYMBOL LEGEND:

- ☀ WIRELESS DAYLIGHT SENSOR
- ⊙ WIRELESS VACANCY SENSOR
- ⊙ WIRELESS OCCUPANCY SENSOR
- ⊙ WIRELESS RECEPTACLE
- ⊙ WIRELESS ZONE KEYPAD
- ⊙ WIRELESS SCENE KEYPAD

SPEC:

- WIRELESS NETWORK:
- RF FREQUENCY: 434 MHZ. OPERATE IN FCC GOVERNED FREQUENCY SPECTRUM FOR PERIODIC OPERATION. CONTINUOUS TRANSMISSION SPECTRUM IS NOT PERMITTED.
    - WIRELESS SENSORS, WIRELESS KEYPADS AND WIRELESS LOAD CONTROL DEVICES DO NOT OPERATE IN THE NOISY 2.4 GHZ FREQUENCY BAND WHERE HIGH POTENTIAL FOR RF INTERFERENCE EXISTS.
    - LOCAL ROOM DEVICES COMMUNICATE DIRECTLY WITH EACH OTHER (AND NOT THROUGH A CENTRAL HUB OR PROCESSOR) TO ENSURE:
      - RELIABILITY OF SYSTEM PERFORMANCE.
      - FAST RESPONSE TIME TO EVENTS IN THE SPACE (E.G. BUTTON PRESSES OR SENSOR SIGNALS).
      - INDEPENDENT OPERATION IN THE EVENT OF THE WIRELESS HUB BEING REMOVED OR DAMAGED.
- RECEPTACLES
- COMMUNICATES VIA RADIO FREQUENCY WITH UP TO TEN COMPATIBLE OCCUPANCY/VACANCY SENSORS AND TEN WIRELESS KEYPADS.
  - RELAY:
    - LOAD SWITCHED IN MANNER THAT PREVENTS ARCING AT MECHANICAL CONTACTS WHEN POWER IS APPLIED TO AND REMOVED FROM LOAD CIRCUITS.
    - RATED FOR SWITCHING OF GENERAL PURPOSE LOADS.
    - MOTOR RATING OF 0.5 HP AT 120 V FOR 15 A RECEPTACLES, AND 1 HP AT 120 V FOR 20 A RECEPTACLES.
- WIRELESS KEYPADS
- DOES NOT REQUIRE EXTERNAL POWER PACKS, POWER OR COMMUNICATION WIRING.
  - ALLOWS FOR EASY REPROGRAMMING WITHOUT REPLACING UNIT.
  - INCLUDES LED TO INDICATE BUTTON PRESS OR PROGRAMMING MODE STATUS.
  - MOUNTING:
    - CAPABLE OF BEING MOUNTED WITH A TABLE STAND OR DIRECTLY TO A WALL UNDER A FACEPLATE, BACKBOX OPTIONAL.
    - 10 YEAR BATTERY LIFE

VIVE TYPICAL

CONCEPT DRAWING NOT FOR CONSTRUCTION

Project Number:	N/A
Drawn By:	RT
Drawing Revision:	3
Drawing Date:	11.30.18
Sheet:	1 OF 1

