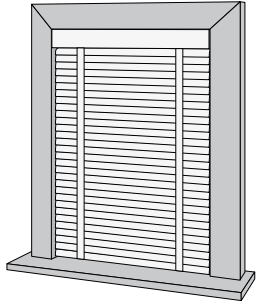


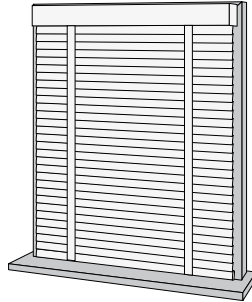
Lutron | Wood Blind Selection Guide

Residence: _____ Area: _____ Window(s): _____

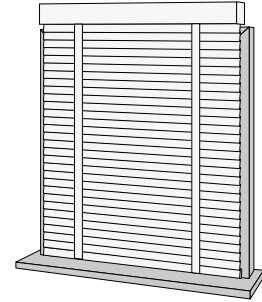
Step 1 Select Mounting Option



Inside mount



Outside mount on trim

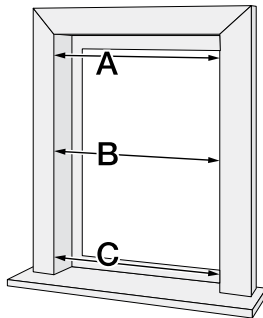


Outside mount above trim

Step 2 Measure Height and Width

Inside mount:

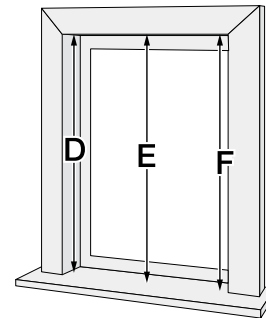
Measure the window to the nearest 1/8 inch at points A through F to determine the width of the headrail (A, B, C), and the height of the lowered blind (D, E, F). When ordering, specify the smallest height and width measured.



A _____ inches

B _____ inches

C _____ inches



D _____ inches

E _____ inches

F _____ inches

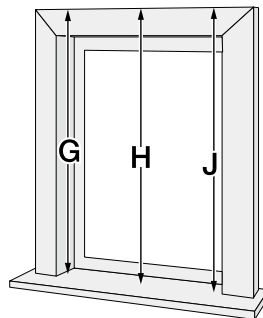
Outside mount:

Set any width based on the desired coverage: _____ inches

Measure from the top edge of the trim to the window sill at points G through J to determine the height of the lowered blind.

For mounting **on trim**, enter G, H, and J as measured.

For mounting **above trim**, add 4 inches or more to each measurement for proper headrail clearance.

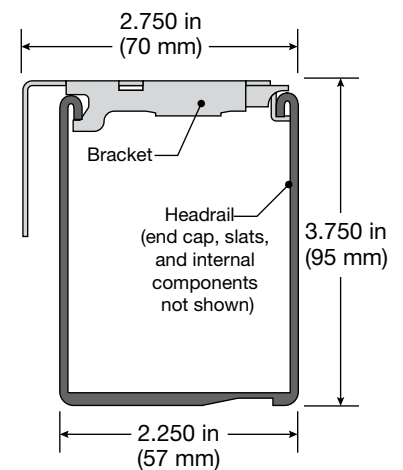


G _____ inches

H _____ inches

J _____ inches

System profile:



Step 3 Select Slat Finish

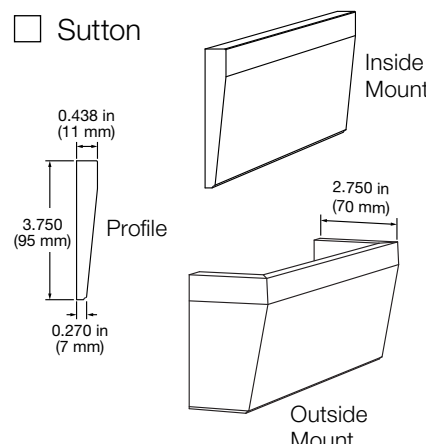
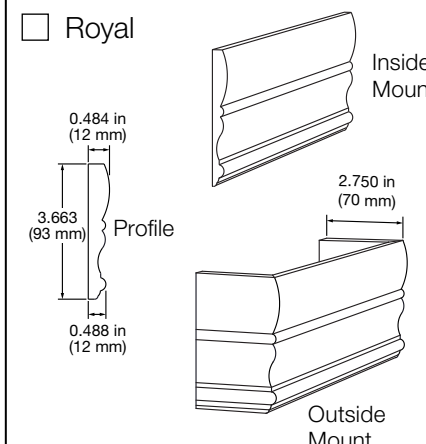
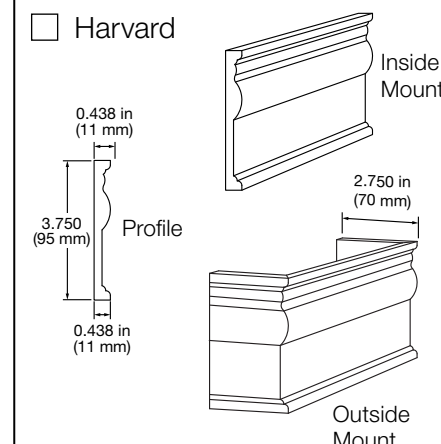
- Color Name: _____ Color Model Number _____
- Custom Color: Contact Lutron Shading Quotes at 1.888.446.1503 color options, sample process, and ordering information.

Step 4 Select Decorative Tape (optional)

- Color Name: _____ Color Model Number _____
- None

Step 5 Select Valance Style

- None

<p><input type="checkbox"/> Sutton</p>  <p>Inside Mount</p> <p>Profile</p> <p>0.438 in (11 mm)</p> <p>3.750 in (95 mm)</p> <p>0.270 in (7 mm)</p> <p>2.750 in (70 mm)</p> <p>Outside Mount</p>	<p><input type="checkbox"/> Royal</p>  <p>Inside Mount</p> <p>Profile</p> <p>0.484 in (12 mm)</p> <p>3.663 in (93 mm)</p> <p>0.488 in (12 mm)</p> <p>2.750 in (70 mm)</p> <p>Outside Mount</p>	<p><input type="checkbox"/> Harvard</p>  <p>Inside Mount</p> <p>Profile</p> <p>0.438 in (11 mm)</p> <p>3.750 in (95 mm)</p> <p>0.438 in (11 mm)</p> <p>2.750 in (70 mm)</p> <p>Outside Mount</p>
--	---	--

Step 6 Select Valance Finish (if applicable)

- Color Name: _____ Color Model Number _____
- Custom Color: Contact Lutron Shading Quotes at 1.888.446.1503 color options, sample process, and ordering information.

Please note: Product options may vary depending on application and intended use. For more technical information, reference the Lutron shading solutions product guide at www.lutron.com or work with your Lutron qualified installer. Product availability is subject to change. Please contact your local Lutron sales representative for more information on ordering product.

Customer Assistance

Online: lutron.com/help
 Email: shadinginfo@lutron.com
 Phone: 1.844.LUTRON1 (588.7661) — includes 24/7 technical support
 © 03/2017 Lutron Electronics Co., Inc. | P/N 368-4536 REV A

