

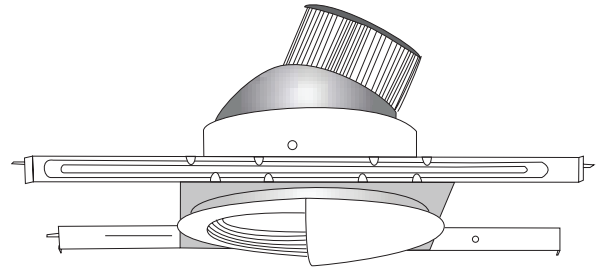
Recessed Compact Fluorescent Dimmable Fluorescent Wall Wash

Features

- Single lamp, 26 W compact fluorescent
- Low brightness 6-inch recessed wall washer
- Dims smoothly and continuously from 100% to 5% measured light
- Wall wash reflector provides 120-degree vertical light
- Universal input voltage 120/277 V~
- Wall washer rotates in mount for easy aim adjustment
- ETL listed for new construction
- 7.50 x 11.00 inch plaster frame, 6.00 in deep
- 26 Watt tri-tube amalgam 10,000 hour 3500°K lamp
- Replaces 120 Watt incandescent wall washer
- PAR38 reflector glass envelope, aimed at a 45° angle to shield the lamp and maximize light output
- Removable scoop creates direct light cutoff to the wall, eliminating glare

Finish

- Trim ring is a white finish



Dimming Performance

- Digital Ballast: EC3D T4MW K U 1S
- Dimming range – 100% to 5%
- Power factor greater than .95
- Total harmonic distortion less than 20%
- Designed to withstand surge voltages of 4000 volts as specified in ANSI C62.41
- Better than Class A sound rating
- Ballast meets FCC Part 18 regulations for RFI/EMI
- No visible lamp flicker
- Ballasts strike lamps at any light level without first flashing to full light

Controls

The following controls are available for use with Lutron dimmable fixtures:

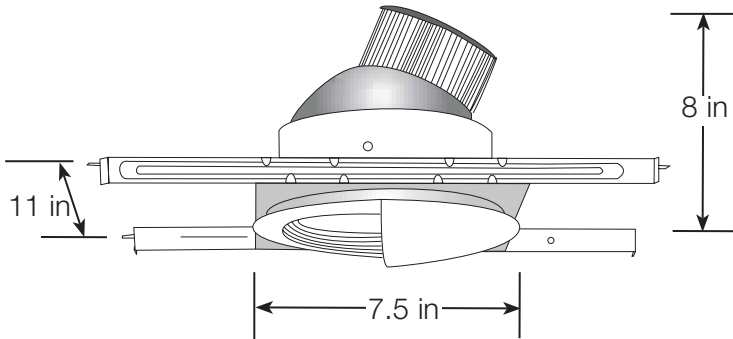
- GRAFIK Eye® QS
- Quantum®
- Maestro® Wireless
- Nova®
- Skylark®
- Vareo®
- GRAFIK Eye®
- Energi Savr Node™
- Nova T*®
- Diva®
- Ariadni®

Lamps

- Requires one GE 26 W, 3500 °K, 4-pin, triple tube compact fluorescent lamp (F26TBX/835/A/ECO)
- Consult lamp manufacturer for lamp seasoning requirements prior to dimming
- Lamps are not included with the fixture

Job Name:	Model Numbers:
Job Number:	

Product Dimensions



Models	Ballast	Rated Current	Lamp Type	Input Power
FXWW1MW06EUSA FXWW1MW06EUSARF FXWW1MW06EUSARM	EC3D T4MW K U 1S	0.27 A @ 120 V 0.11 A @ 277 V	(1) 26 W, 3500 K, 4-pin Triple-Tube CFL	32.4 W @ 120 V 31.7 W @ 277 V

For remodel and retrofit models, please contact Lutron.

Photometric Data

Coming soon

Job Name:	Model Numbers:
Job Number:	