

Overview

Bi-directional screen motors cannot be directly controlled using the GRAFIK Eye Dimming Panel. However, these screens can be operated using a 120VAC or 277VAC relay in conjunction with the GRAFIK Eye Dimming Panel to provide two position (up or down) control of these motors.

Guidelines

1. Motor must be equipped with limit switches.
2. Motor must be thermally protected.
3. Relay to be driven by the GRAFIK Eye Dimming Panel must have an AC coil (120V or 277V depending on the Dimming Panel being used) and be rated for motor loads.
4. GRAFIK Eye Zone controlling the relay must be assigned as a Non-Dim Zone.
5. With Non-Dim Zone ON, screen will run to it's Lower limit; with Non-Dim Zone OFF, screen will run to it's upper (Raised) limit (with Non-Dim OFF, customer supplied relay is in Relaxed state).

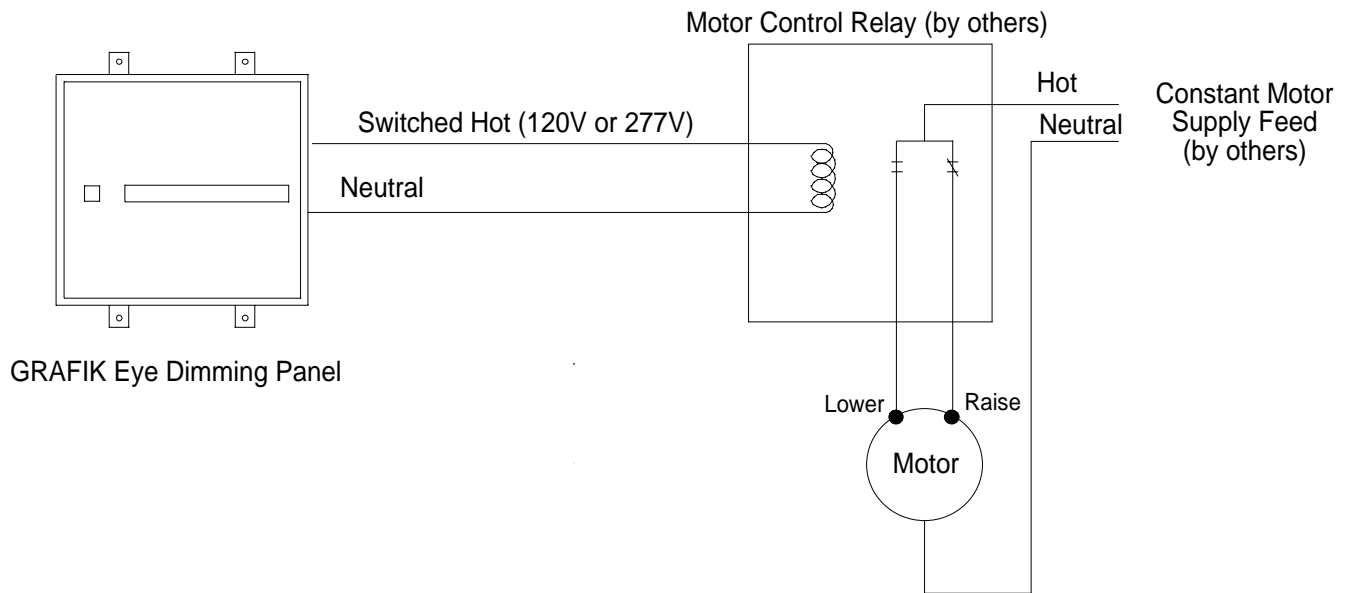
6. Recommended relay:

<u>Mfg.</u>	<u>Part No.</u>	<u>Voltage</u>	<u>Description</u>	<u>Est. Price</u>
Square-D	8501-C015-V20	120V	SPDT 1.5 HP 10 VA coil	\$28.00
Square-D	8501-C015-V04	277V	SPDT 1.5 HP 10 VA coil	\$28.00

7. Recommended relay enclosure:

<u>Mfg.</u>	<u>Part No.</u>	<u>Description</u>	<u>Est. Price</u>
Square-D	9991-UE1	Enclosure (3.6"x5.3"x3.3")	\$15.00

8. Wire according to diagram on next page.



Additional Information

World Headquarters

Lutron Electronics Co., Inc.
 7200 Suter Road
 Coopersburg, PA 18036-1299 U.S.A.
TOLL FREE: (800) 523-9466 (U.S.A., Canada, and the Caribbean)
 Tel: (610) 282-3800; International 1610 282-3800
 Fax: (610) 282-3090; International 1610 282-3090

European Headquarters

Lutron EA LTD
 Lutron House
 6 Sovereign Close
 Wapping
 London, E1 9HW England
FREEPHONE: 0800 282107 (U.K.)
 Tel: (0171) 702-0657; International 44-171-702-0657
 Fax: (0171) 480-6899; International 44-171-480-6899

Hong Kong Office

Tel: 2593-1119; International 852-2593-1119
 Fax: 2593-1197; International 852-2593-1197

Singapore Office

Tel: 487-2820; International 65-487-2820
 Fax: 487-2825; International 65-487-2825

Japan Office

Lutron Asuka Corporation K.K.
 Kowa Shibakoen Bldg. 2nd Floor
 1-1-11 Shibakoen
 Minato-ku, Tokyo 105-0011, Japan
TOLL FREE: (0120) 083417 (Japan)
 Tel: International 81 3 5405 7333
 Fax: International 81 3 5405 7496

Worldwide Technical and Sales Assistance

If you need technical assistance, call the toll-free **Lutron Technical Assistance Hotline**. Please provide exact model number when calling. (800) 523-9466 (U.S.A., Canada and the Caribbean) Other countries call:
 Tel: (610) 282-3800; International: 1 610 282-3800
 Fax: (610) 282-3090; International: 1 610 282-1243
 Our address on the Web is www.lutron.com

Lutron and GRAFIK Eye are registered trademarks of Lutron Electronics Co., Inc.