

**GRX-12VDC Plug-In  
Class 2 Transformer**



**Description**

Use this external 12VDC power supply whenever more than three Wallstations or Control Interfaces must be powered from a single Control Unit.

- Must be Class 2/PELV rated.
- Must be rated for at least 50mA per Wallstation on the link.
- Must be a regulated supply.

**Specifications**

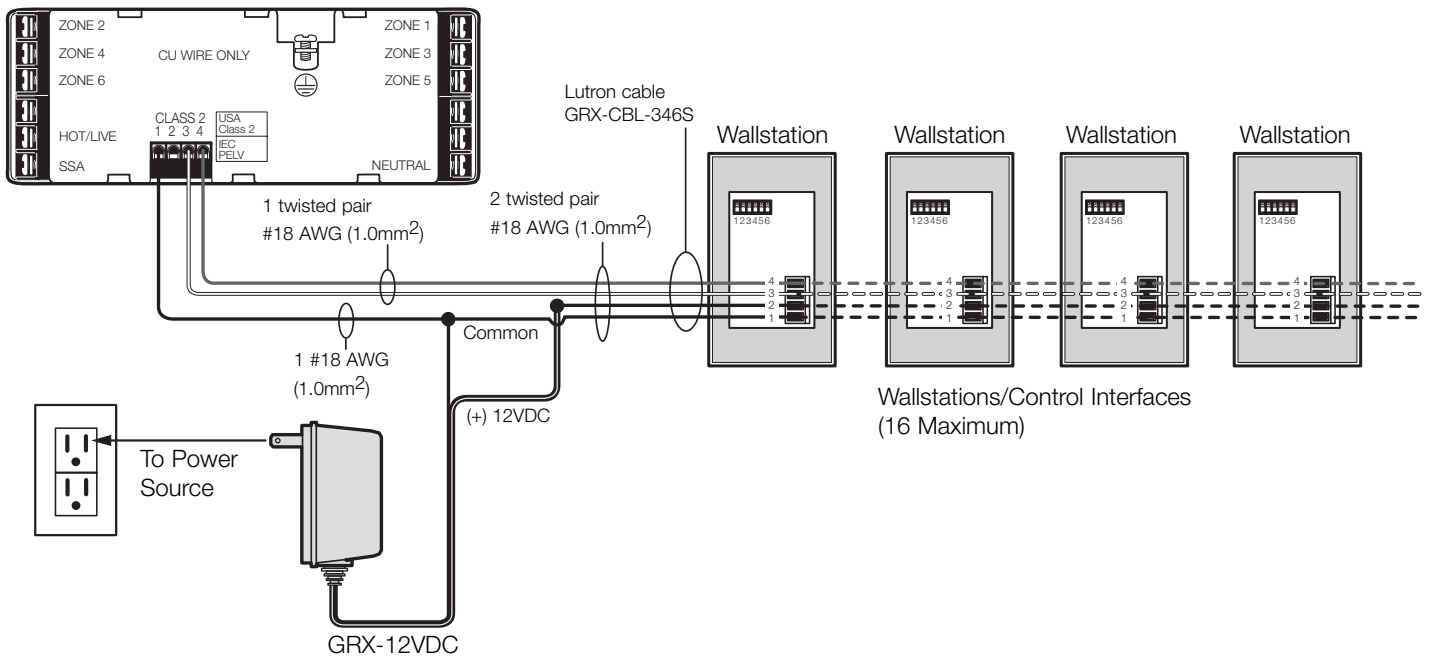
Input Power:  
120V, 60 Hz.

Output Power:  
Regulated 12VDC. Rated for 800mA, 9.5W. Provides power for up to 16 Wallstations.

**Wiring**

- Connect the +12VDC wire from the power supply to terminal 2 on all Wallstations and Control Interfaces. Do not connect this wire to any Control Units.
- Connect the COMMON wire to terminal 1 on all Wallstations, Control Interfaces, and Control Units.
- Keep the distance from the external power supply and the sixteenth Wallstation less than 300 feet (90m). With fewer Wallstations, the allowable maximum distance may be greater - consult Lutron.

Rear View of GRAFIK Eye Control Unit (GRX-3106 shown)



<b>Job Name:</b>	<b>Model Numbers:</b>
<b>Job Number:</b>	