

**NTGRX-1S-\_\_-\_\_**  
**Entrance Control**



**Description**

- Ideal for large projects that use the maximum number of Wallstations and/or Control Interfaces but still require additional control points.
- Provides line-voltage three-way control for retrofit applications.

**Features**

- Wires to GRAFIK Eye 3000 Series Control Units using 120 VAC line voltage wiring.
- Wires to GRAFIK Eye 4000 Series Control Units using Class 2 (PELV) wiring.
- Does not require an address.
- Toggles the connected GRAFIK Eye Control Unit between Scene 1 and Off.
- Operates one GRAFIK Eye 3000 or 4000 Series Control Unit.
- Up to ten NTGRX-1S Entrance Controls may be wired in parallel to a single Control Unit.
- Not for use with 2-zone Control Units.

<p><b>Job Name:</b></p>	<p><b>Model Numbers:</b></p>
<p><b>Job Number:</b></p>	

**Specifications**

**Power**

Operating voltage: 12 to 40 VDC and 100 to 127 VAC.

**Key Design Features**

- Meets IEC 801-2. Tested to withstand 15kV electro-static discharge without damage or memory loss.
- Faceplate snaps on with no visible means of attachment.
- Can be ganged to share a common faceplate with NovaT<sup>®</sup> and Vareo<sup>®</sup> Dimmers. Counts as a “small control” for ganging.

**System Communications and Capacity**

- Does not require an address.
- Does not count toward the maximum number of Wallstations/Control Interfaces on a Class 2 (PELV) link.
- Wires directly to and communicates directly with the GRAFIK Eye 3000 or 4000 Series Control Unit.
- Up to ten NTGRX-1S Entrance Controls may be wired in parallel to the Control Unit.

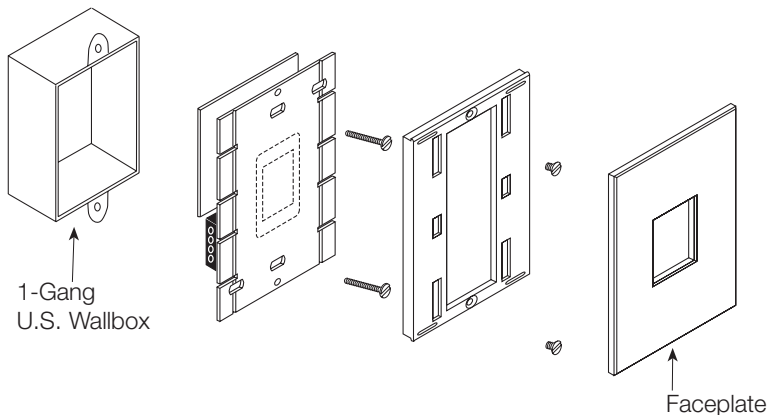
**Wires**

Two #18 AWG (1.0mm<sup>2</sup>) wires.

**Environment**

32-104°F (0-40°C). Relative humidity less than 90% non-condensing.

**Mounting**



**Color and Finish Codes**

**Matte Finishes**

- Standard – Ship in 48 hours
- White WH
  - Ivory IV
  - Beige BE
  - Gray GR
  - Brown BR
  - Black BL

**Metal Finishes**

- Ship in 4 to 6 weeks
- Bright Brass BB
  - Bright Chrome BC
  - Bright Nickel BN
  - Satin Brass SB
  - Satin Chrome SC
  - Satin Nickel SN
  - Antique Brass QB
  - Antique Bronze QZ

**Anodized Aluminum Finishes**

- Ship in 4 to 6 weeks
- Clear CLA
  - Black BLA
  - Brass BRA

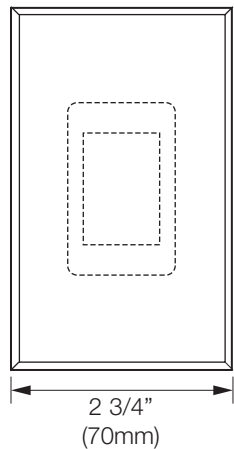
Engraving E

Also available:

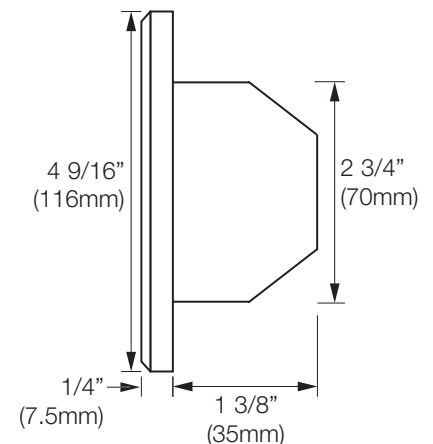
- Custom Controls
  - Color Matching
- Ship in 4 to 6 weeks. Pricing may vary depending on finishes.

**Dimensions**

Front View



Side View



<b>Job Name:</b>	<b>Model Numbers:</b>
<b>Job Number:</b>	

## Wiring

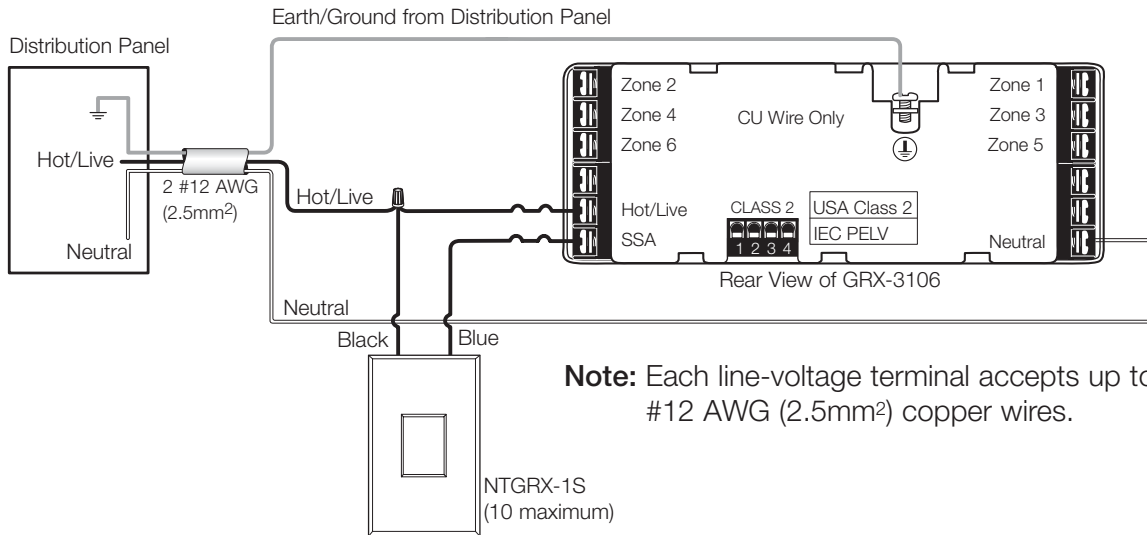
### When used with GRAFIK Eye 3000 Series Control Units



**NTGRX-1S connects to 3000 Series Control Units using 120 VAC.**

**Connect to the appropriate line-voltage terminals.**

Connecting 120 VAC to the low-voltage Class 2 (PELV) terminals may cause damage to lighting controls or injury.



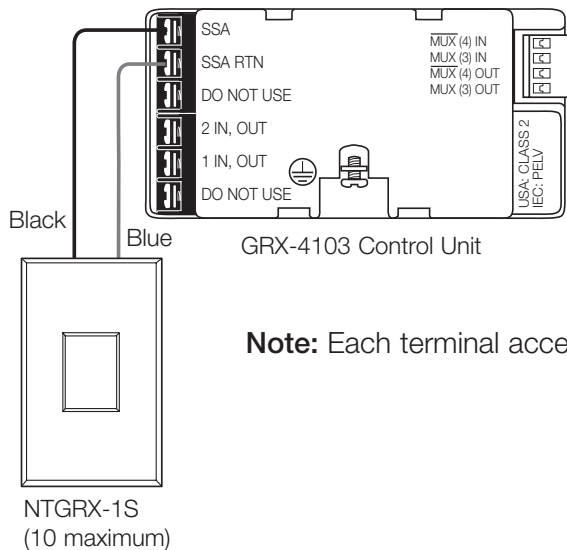
**Note:** Each line-voltage terminal accepts up to two #12 AWG (2.5mm<sup>2</sup>) copper wires.

### When used with GRAFIK Eye 4000 Series Control Units



**All connections to 4000 Series Control Units are Class 2 (PELV).**

Connecting 120 VAC to any terminals on 4000 Series Control Units may cause damage to lighting controls or injury.



**Note:** Each terminal accepts up to two #12 AWG (2.5mm<sup>2</sup>) copper wires.

<b>Job Name:</b>	<b>Model Numbers:</b>
<b>Job Number:</b>	