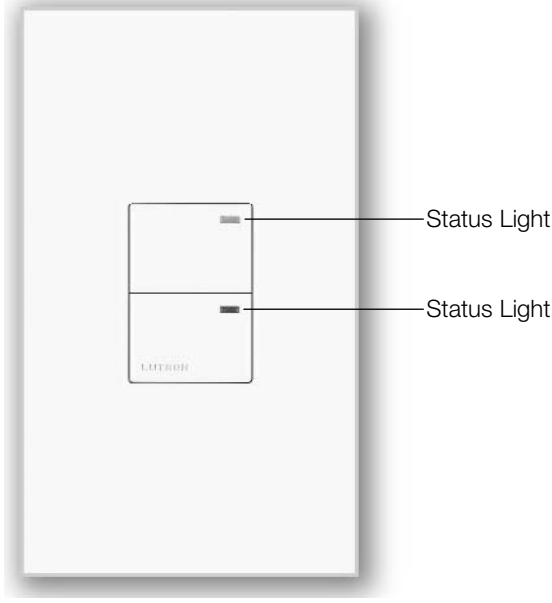


Color and Finish Codes

**NTGRX-2B-SL-\_\_-\_\_**  
**2-Button with Status Light Wallstation**











**Description**

- Often used in entryways to turn lights on and off.
- Functionality can be selected in the field.
- Status lights indicate which button was pushed last.
- Works with GRAFIK Eye 3000 and 4000 Series Control Units.
- Invokes functions in just one Control Unit or group of up to eight Control Units.

**Finish and Engraving Options**

Available with engraving to meet specific project needs.

**Field Selected Functionality**

	DIP Switch Settings	Top button:	Bottom button:
	5 6 7		
Entrance Wallstation		Selects scene 1.	Turns lights off.
Scene Selection	 	Selects scene 9. Selects scene 13.	Selects scene 10. Selects scene 14.
Panic Wallstation		Selects scene 16 (all lighting full on). Locks all other system controls.	Restores previous scene. Disables lockout.
Fine Tuning		Temporarily brightens selected zones.	Temporarily dims selected zones.
Single-Partition Status Wallstation		Control Units act in combination; movable wall open to make one large space.	Control Units act independently; movable wall closed to make two spaces.
Zone Lockout		Allows only temporary zone adjustment. Preset scene settings are not affected.	Disables zone lockout.
Sequencing		Loops continuously through scenes 5 to 16 using fade times entered at Control Units.	Turns sequencing off.

<b>Job Name:</b>	<b>Model Numbers:</b>
<b>Job Number:</b>	

## Specifications

### Power

Low-voltage type Class 2 (PELV).  
Operating voltage: 12/24 V Direct Current.

### Key Design Features

- Meets IEC 801-2. Tested to withstand 15kV electro-static discharge without damage or memory loss.
- Faceplate snaps on with no visible means of attachment.
- Can be ganged to share a common faceplate with NovaT\*® and Vareo® Dimmers. Counts as a “small control” for ganging.

### System Communications and Capacity

- Low-voltage type Class 2 (PELV) wiring connects Wallstations to Control Units and other components.
- Up to 8 Control Units and up to 16 total Wallstations and/or Control Interfaces may be linked for a total of 24 control points.

### Terminals

Accept up to two #18 AWG (1.0mm<sup>2</sup>) typical.

### Environment

32-104°F (0-40°C). Relative humidity less than 90% non-condensing.

### Color and Finish Codes

#### Matte Finishes

Standard – Ship in 48 hours  
White WH  
Ivory IV  
Beige BE  
Gray GR  
Brown BR  
Black BL

#### Metal Finishes

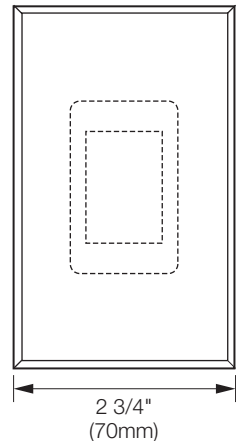
Ship in 4 to 6 weeks  
Bright Brass BB  
Bright Chrome BC  
Bright Nickel BN  
Satin Brass SB  
Satin Chrome SC  
Satin Nickel SN  
Antique Brass QB  
Antique Bronze QZ

#### Anodized Aluminum Finishes

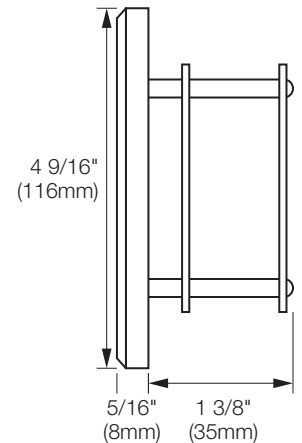
Ship in 4 to 6 weeks  
Clear CLA  
Black BLA  
Brass BRA  
Engraving E  
No Insert NI

Also available:  
-Custom Controls  
-Color Matching  
Ship in 4 to 6 weeks. Pricing may vary depending on finishes.

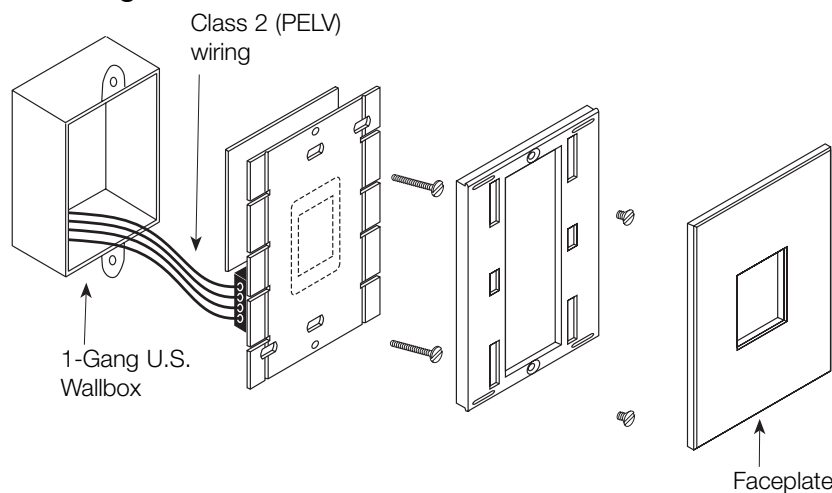
### Dimensions Front View



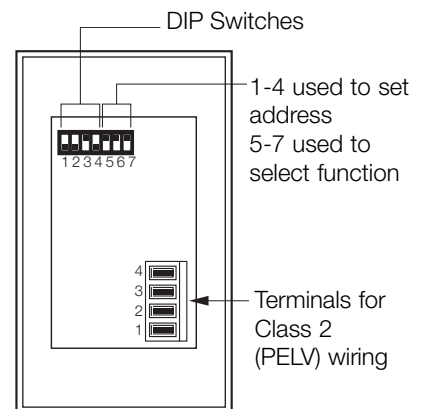
### Side View



### Mounting



### Back View



Job Name:

Model Numbers:

Job Number:

## Wallstation Installation

### DIP Switches

- Set DIP switches 1-4 to give the Wallstation a unique system address from 1 to 16.
- Set additional DIP switches (if any) to specify function as shown on the first page of the Wallstation's Specification Submittal.

Address	DIP Switch Settings			
	1	2	3	4
1				
2				
3				
4				
5				
6				
7				
8				
9				
10				
11				
12				
13				
14				
15				
16				

Reserved for GRX-PRG, if present on link.

### Low-Voltage Class 2 (PELV) Wiring

- Use low-voltage Class 2 (PELV) wiring to daisy-chain Wallstations to Control Units and other components.
- Make connections inside the wallbox or in a switch/junction box with a maximum wire length of 8 feet (2.5m) from the link to the Wallstation.

Note: EGRX Wallstations have a "D" terminal for Drain. Connect the Drain/Shield at this terminal.

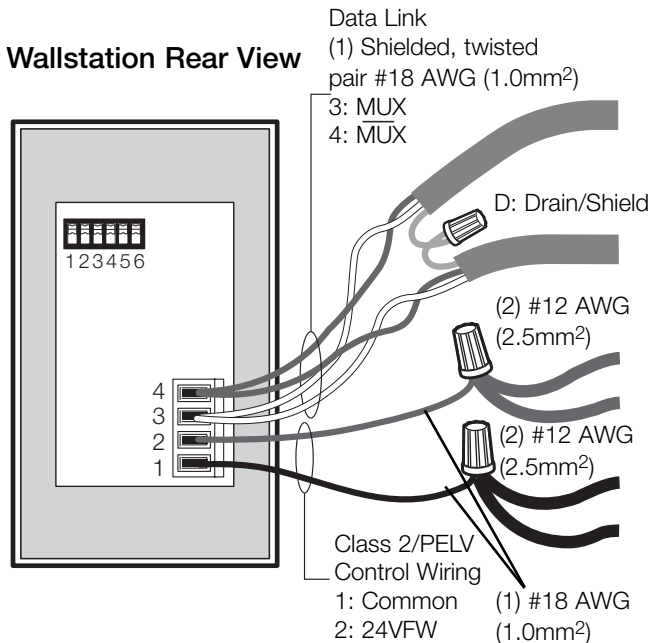
### When used with GRAFIK Eye 3000 Control Units:

- Two #18 AWG (1.0mm<sup>2</sup>) conductors for common (terminal 1) and 12 V Direct Current (terminal 2). Ensure that the terminal 2 connection is wired correctly. Refer to GRX-3000 Specification Submittal.
- One shielded, twisted pair #18 AWG (1.0mm<sup>2</sup>) for data link (terminals 3 and 4).

### When used with GRAFIK Eye 4000 Control Units:

- Two #12 AWG (2.5mm<sup>2</sup>) conductors for common (terminal 1) and 24 V Direct Current (terminal 2). These won't fit in terminals. Connect as shown.
- One shielded, twisted pair #18 AWG (1.0mm<sup>2</sup>) for data link (terminals 3 and 4).
- Connect Drain/Shield as shown. Do not connect to Ground (Earth) or Wallstation. Connect the bare drain wires and cut off the outside shield.

### Wallstation Rear View



<b>Job Name:</b>	<b>Model Numbers:</b>
<b>Job Number:</b>	