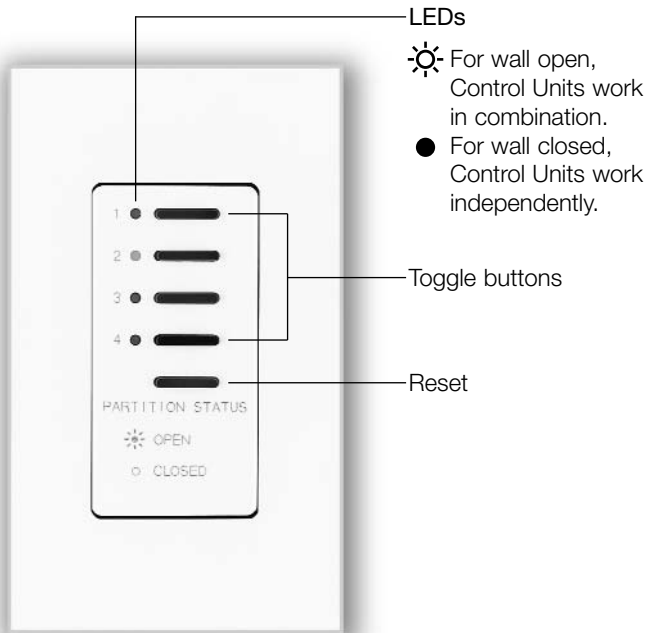




Color and Finish Codes

NTGRX-4PS-__-__
4-Partition Status Wallstation

Description

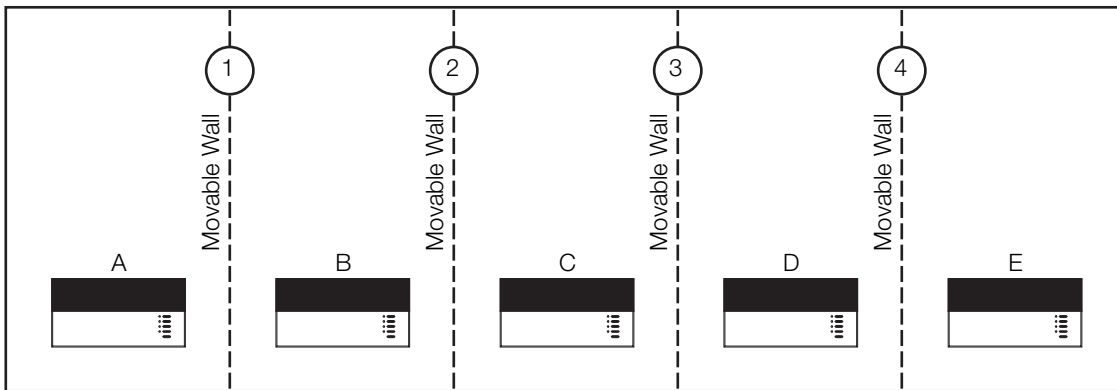
- Coordinates lighting for up to four movable walls (five rooms). Each toggle button is set up to operate the Control Units associated with a movable wall.
- When the wall is open to make one large space, the user presses the wall's toggle button to make the LED light up. The GRAFIK Eye Control Units assigned to the buttons now work "in combination." Scene changes at one Control Unit occur on all of these Control Units.
- When the wall is closed to make several smaller spaces, the user presses the wall's toggle button to turn off the LED. The Control Units now work independently.
- The bottom button resets all Control Units to independent operation.
- The example shows how to use the Wallstation for a space with four movable walls.



LEDs
 For wall open, Control Units work in combination.
 For wall closed, Control Units work independently.

Example

Button:	Wall:	Combine Control Units:
Button 1	Wall 1	A and B
Button 2	Wall 2	B and C
Button 3	Wall 3	C and D
Button 4	Wall 4	D and E



Job Name:	Model Numbers:
Job Number:	

Specifications

Power

Low-voltage type Class 2 (PELV).
Operating voltage: 12/24 V Direct Current.

Key Design Features

- Meets IEC 801-2. Tested to withstand 15kV electro-static discharge without damage or memory loss.
- Faceplate snaps on with no visible means of attachment.
- Can be ganged to share a common faceplate with NovaT[®] and Vareo[®] Dimmers. Counts as a “small control” for ganging.

System Communications and Capacity

- Low-voltage type Class 2 (PELV) wiring connects Wallstations to Control Units and other components.
- Up to 8 Control Units and up to 16 total Wallstations and/or Control Interfaces may be linked for a total of 24 control points.

Terminals

Accept up to two #18 AWG (1.0mm²) typical.

Environment

32-104°F (0-40°C). Relative humidity less than 90% non-condensing.

Color and Finish Codes

Matte Finishes

Standard – Ship in 48 hours
White WH
Ivory IV
Beige BE
Gray GR
Brown BR
Black BL

Metal Finishes

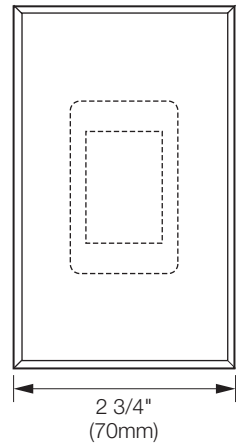
Ship in 4 to 6 weeks
Bright Brass BB
Bright Chrome BC
Bright Nickel BN
Satin Brass SB
Satin Chrome SC
Satin Nickel SN
Antique Brass QB
Antique Bronze QZ

Anodized Aluminum Finishes

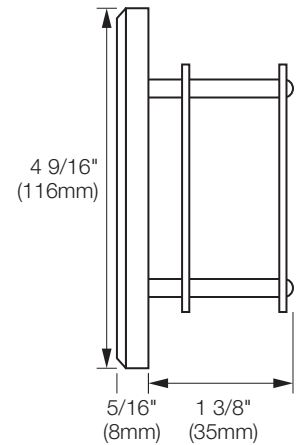
Ship in 4 to 6 weeks
Clear CLA
Black BLA
Brass BRA
Engraving E
No Insert NI

Also available:
-Custom Controls
-Color Matching
Ship in 4 to 6 weeks. Pricing may vary depending on finishes.

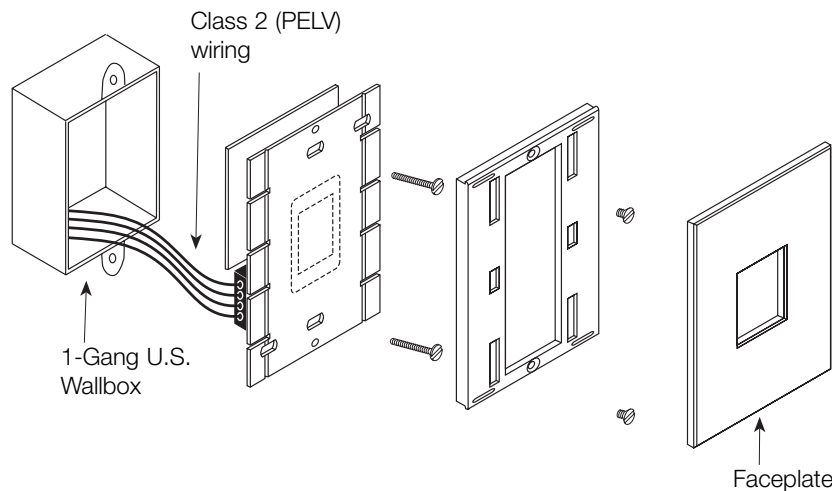
Dimensions Front View



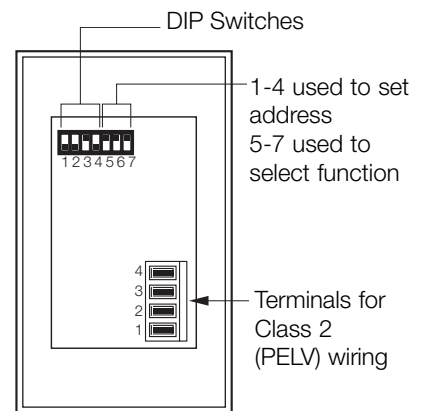
Side View



Mounting



Back View



Job Name:

Model Numbers:

Job Number:

Wallstation Installation

DIP Switches

- Set DIP switches 1-4 to give the Wallstation a unique system address from 1 to 16.
- Set additional DIP switches (if any) to specify function as shown on the first page of the Wallstation's Specification Submittal.

Address	DIP Switch Settings			
	1	2	3	4
1	↑	↑	↑	↑
2	↑	↑	↑	↓
3	↑	↑	↓	↑
4	↑	↑	↓	↓
5	↑	↓	↑	↑
6	↑	↓	↑	↓
7	↑	↓	↓	↑
8	↑	↓	↓	↓
9	↓	↑	↑	↑
10	↓	↑	↑	↓
11	↓	↑	↓	↑
12	↓	↑	↓	↓
13	↓	↓	↑	↑
14	↓	↓	↑	↓
15	↓	↓	↓	↑
16	↓	↓	↓	↓

Reserved for GRX-PRG, if present on link.

Low-Voltage Class 2 (PELV) Wiring

- Use low-voltage Class 2 (PELV) wiring to daisy-chain Wallstations to Control Units and other components.
- Make connections inside the wallbox or in a switch/junction box with a maximum wire length of 8 feet (2.5m) from the link to the Wallstation.

Note: EGRX Wallstations have a "D" terminal for Drain. Connect the Drain/Shield at this terminal.

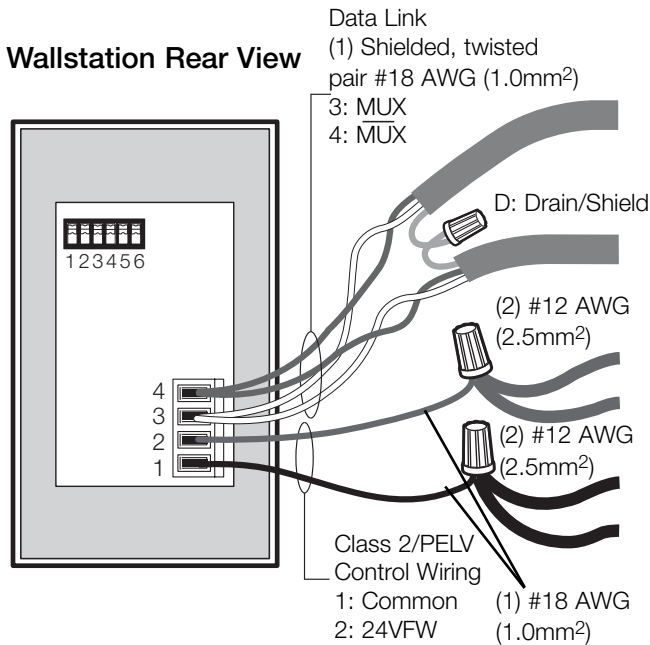
When used with GRAFIK Eye 3000 Control Units:

- Two #18 AWG (1.0mm²) conductors for common (terminal 1) and 12 V Direct Current (terminal 2). Ensure that the terminal 2 connection is wired correctly. Refer to GRX-3000 Specification Submittal.
- One shielded, twisted pair #18 AWG (1.0mm²) for data link (terminals 3 and 4).

When used with GRAFIK Eye 4000 Control Units:

- Two #12 AWG (2.5mm²) conductors for common (terminal 1) and 24 V Direct Current (terminal 2). These won't fit in terminals. Connect as shown.
- One shielded, twisted pair #18 AWG (1.0mm²) for data link (terminals 3 and 4).
- Connect Drain/Shield as shown. Do not connect to Ground (Earth) or Wallstation. Connect the bare drain wires and cut off the outside shield.

Wallstation Rear View



Job Name:	Model Numbers:
Job Number:	