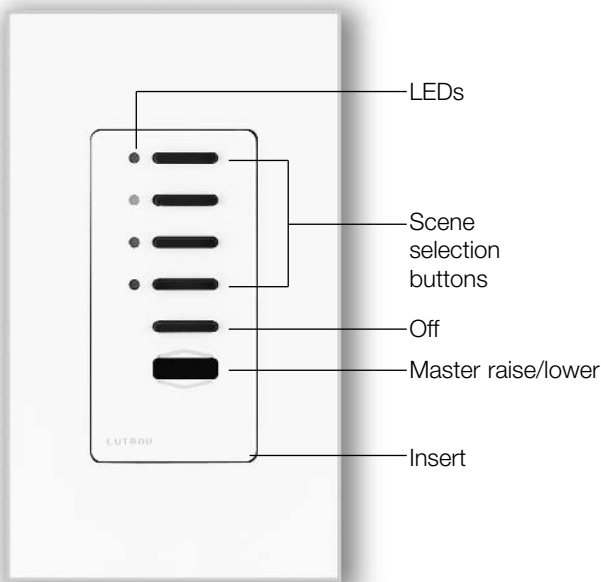


Color and Finish Codes

**NTGRX-4S-\_\_-\_\_**  
**4-Scene with Off and Raise/Lower**  
**Wallstation**



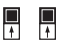



**Description**

- Used to select and adjust scenes in GRAFIK Eye Control Units.
- Scene selection functionality can be selected in the field.
- Status LEDs indicate which scene is selected.
- Off button turns all lights off.
- Master raise/lower button brightens or dims all lighting in the selected scene.
- Works with GRAFIK Eye 3000 and 4000 Series Control Units.
- Selects scenes in just one Control Unit or a group of up to eight Control Units.

**Finish and Engraving Options**

- Available with engraving to meet specific project needs.
- Available in a “no-insert” version for a sleeker look.

**Field Selected Functionality**

DIP Switch Settings	Scene selection buttons activate:
5 6	
	Scenes 1 to 4
	Scenes 5 to 8
	Scenes 9 to 12
	Scenes 13 to 16

<b>Job Name:</b>	<b>Model Numbers:</b>
<b>Job Number:</b>	

## Specifications

### Power

Low-voltage type Class 2 (PELV).  
Operating voltage: 12/24 V Direct Current.

### Key Design Features

- Meets IEC 801-2. Tested to withstand 15kV electro-static discharge without damage or memory loss.
- Faceplate snaps on with no visible means of attachment.
- Can be ganged to share a common faceplate with NovaT\*® and Vareo® Dimmers. Counts as a “small control” for ganging.

### System Communications and Capacity

- Low-voltage type Class 2 (PELV) wiring connects Wallstations to Control Units and other components.
- Up to 8 Control Units and up to 16 total Wallstations and/or Control Interfaces may be linked for a total of 24 control points.

### Terminals

Accept up to two #18 AWG (1.0mm<sup>2</sup>) typical.

### Environment

32-104°F (0-40°C). Relative humidity less than 90% non-condensing.

### Color and Finish Codes

#### Matte Finishes

Standard – Ship in 48 hours  
White WH  
Ivory IV  
Beige BE  
Gray GR  
Brown BR  
Black BL

#### Metal Finishes

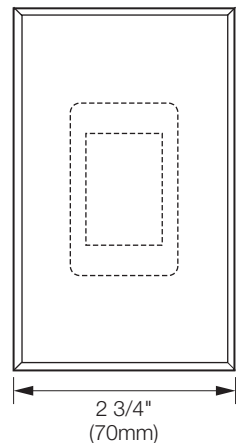
Ship in 4 to 6 weeks  
Bright Brass BB  
Bright Chrome BC  
Bright Nickel BN  
Satin Brass SB  
Satin Chrome SC  
Satin Nickel SN  
Antique Brass QB  
Antique Bronze QZ

#### Anodized Aluminum Finishes

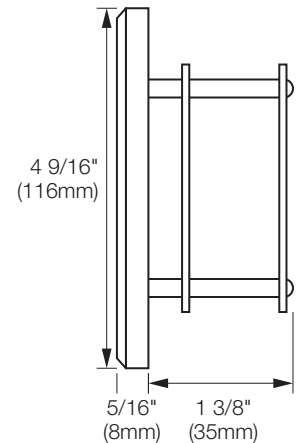
Ship in 4 to 6 weeks  
Clear CLA  
Black BLA  
Brass BRA  
Engraving E  
No Insert NI

Also available:  
-Custom Controls  
-Color Matching  
Ship in 4 to 6 weeks. Pricing may vary depending on finishes.

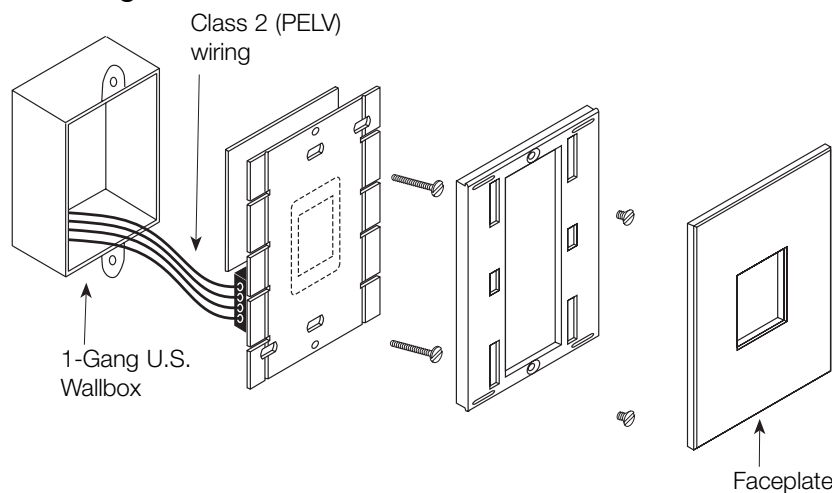
### Dimensions Front View



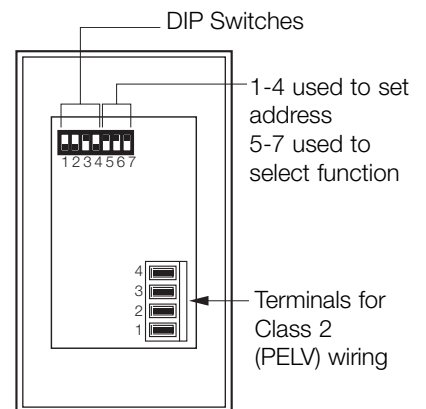
### Side View



### Mounting



### Back View



Job Name:

Model Numbers:

Job Number:

## Wallstation Installation

### DIP Switches

- Set DIP switches 1-4 to give the Wallstation a unique system address from 1 to 16.
- Set additional DIP switches (if any) to specify function as shown on the first page of the Wallstation's Specification Submittal.

Address	DIP Switch Settings			
	1	2	3	4
1				
2				
3				
4				
5				
6				
7				
8				
9				
10				
11				
12				
13				
14				
15				
16				

Reserved for GRX-PRG, if present on link.

### Low-Voltage Class 2 (PELV) Wiring

- Use low-voltage Class 2 (PELV) wiring to daisy-chain Wallstations to Control Units and other components.
- Make connections inside the wallbox or in a switch/junction box with a maximum wire length of 8 feet (2.5m) from the link to the Wallstation.

Note: EGRX Wallstations have a "D" terminal for Drain. Connect the Drain/Shield at this terminal.

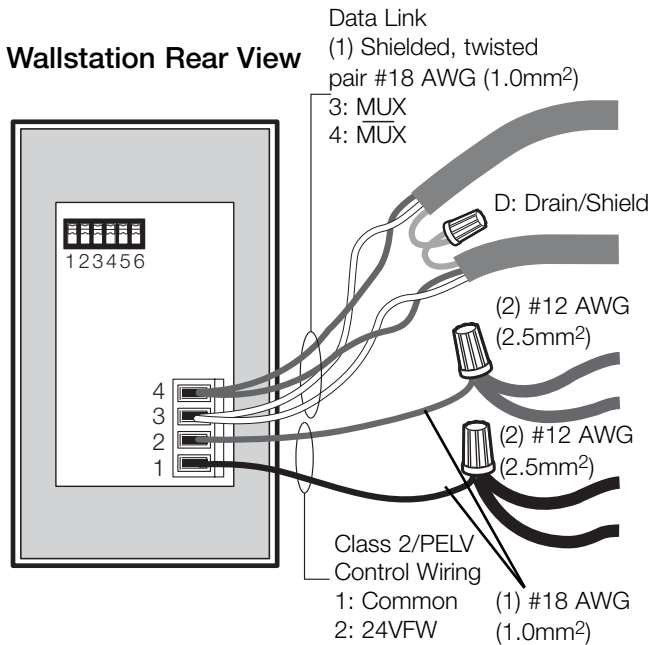
### When used with GRAFIK Eye 3000 Control Units:

- Two #18 AWG (1.0mm<sup>2</sup>) conductors for common (terminal 1) and 12 V Direct Current (terminal 2). Ensure that the terminal 2 connection is wired correctly. Refer to GRX-3000 Specification Submittal.
- One shielded, twisted pair #18 AWG (1.0mm<sup>2</sup>) for data link (terminals 3 and 4).

### When used with GRAFIK Eye 4000 Control Units:

- Two #12 AWG (2.5mm<sup>2</sup>) conductors for common (terminal 1) and 24 V Direct Current (terminal 2). These won't fit in terminals. Connect as shown.
- One shielded, twisted pair #18 AWG (1.0mm<sup>2</sup>) for data link (terminals 3 and 4).
- Connect Drain/Shield as shown. Do not connect to Ground (Earth) or Wallstation. Connect the bare drain wires and cut off the outside shield.

### Wallstation Rear View



<b>Job Name:</b>	<b>Model Numbers:</b>
<b>Job Number:</b>	