

Color and Finish Codes

NTGRX-KS-__-__
Keyswitch Wallstation











Description

- Ideal for public spaces.
- Limits access to GRAFIK Eye Control Units. Authorized personnel must use a key to adjust lighting.
- Functionality can be selected in the field.
- Works with GRAFIK Eye 3000 and 4000 Series Control Units.
- Invokes functions in just one Control Unit or a group of up to eight Control Units.

Finish and Engraving Options

Available with engraving to meet specific project needs.

Field Selected Functionality

	DIP Switch Settings	Turning key clockwise:	Turning key counter-clockwise:
	5 6 7		
Entrance Wallstation		Selects scene 1.	Turns lights off.
Scene Selection	 	Selects scene 9. Selects scene 13.	Selects scene 10. Selects scene 14.
Panic Wallstation		Selects scene 16 (all lighting full on). Locks all other system controls.	Restores previous scene. Disables lockout.
Fine Tuning		Temporarily brightens selected zones.	Temporarily dims selected zones.
Single-Partition Status Wallstation		Control Units act in combination; movable wall open to make one large space.	Control Units act independently; movable wall closed to make two spaces.
Zone Lockout		Allows only temporary zone adjustment. Preset scene settings are not affected.	Disables zone lockout.
Sequencing		Loops continuously through scenes 5 to 16 using fade times entered at Control Units.	Turns sequencing off.

Job Name:	Model Numbers:
Job Number:	

Specifications

Power

Low-voltage type Class 2 (PELV).
Operating voltage: 12/24 V Direct Current.

Key Design Features

- Meets IEC 801-2. Tested to withstand 15kV electro-static discharge without damage or memory loss.
- Faceplate snaps on with no visible means of attachment.
- Can be ganged to share a common faceplate with NovaT[®] and Vareo[®] Dimmers. Counts as a “small control” for ganging.

System Communications and Capacity

- Low-voltage type Class 2 (PELV) wiring connects Wallstations to Control Units and other components.
- Up to 8 Control Units and up to 16 total Wallstations and/or Control Interfaces may be linked for a total of 24 control points.

Terminals

Accept up to two #18 AWG (1.0mm²) typical.

Environment

32-104°F (0-40°C). Relative humidity less than 90% non-condensing.

Color and Finish Codes

Matte Finishes

Standard – Ship in 48 hours

White	WH
Ivory	IV
Beige	BE
Gray	GR
Brown	BR
Black	BL

Metal Finishes

Ship in 4 to 6 weeks

Bright Brass	BB
Bright Chrome	BC
Bright Nickel	BN
Satin Brass	SB
Satin Chrome	SC
Satin Nickel	SN
Antique Brass	QB
Antique Bronze	QZ

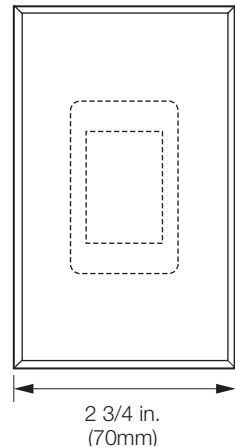
Anodized Aluminum Finishes

Ship in 4 to 6 weeks

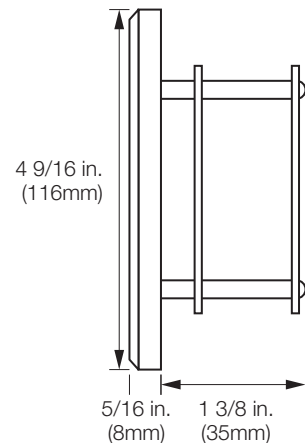
Clear	CLA
Black	BLA
Brass	BRA
Engraving	E
No Insert	NI

Also available:
-Custom Controls
-Color Matching
Ship in 4 to 6 weeks. Pricing may vary depending on finishes.

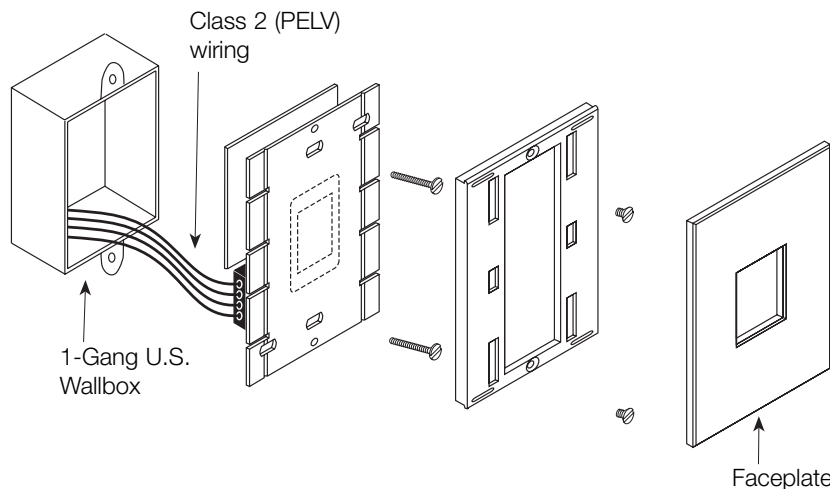
**Dimensions
Front View**



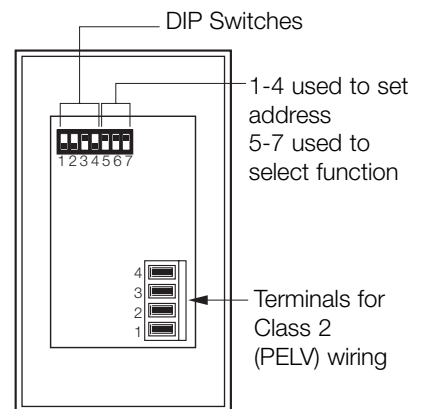
Side View



Mounting



Back View



Job Name:	Model Numbers:
Job Number:	

Wallstation Installation

DIP Switches

- Set DIP switches 1-4 to give the Wallstation a unique system address from 1 to 16.
- Set additional DIP switches (if any) to specify function as shown on the first page of the Wallstation's Specification Submittal.

Address	DIP Switch Settings			
	1	2	3	4
1				
2				
3				
4				
5				
6				
7				
8				
9				
10				
11				
12				
13				
14				
15				
16				

Reserved for GRX-PRG, if present on link.

Low-Voltage Class 2 (PELV) Wiring

- Use low-voltage Class 2 (PELV) wiring to daisy-chain Wallstations to Control Units and other components.
- Make connections inside the wallbox or in a switch/junction box with a maximum wire length of 8 feet (2.5m) from the link to the Wallstation.

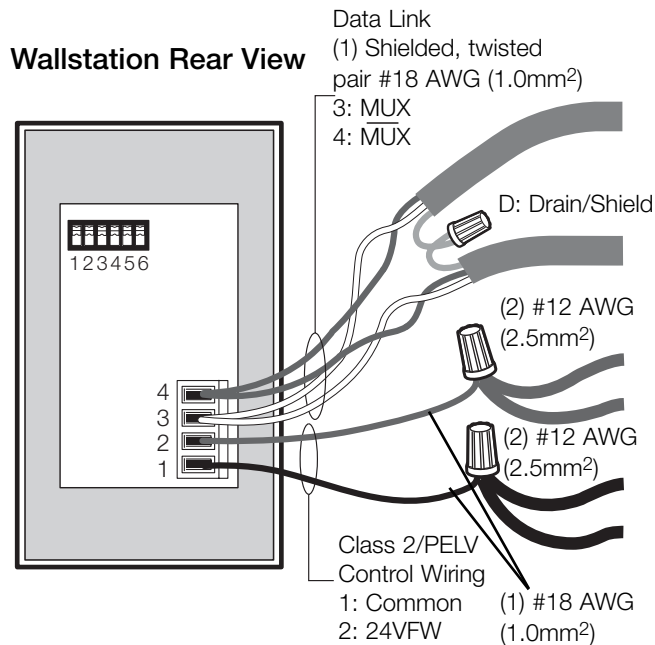
Note: EGRX Wallstations have a "D" terminal for Drain. Connect the Drain/Shield at this terminal.

When used with GRAFIK Eye 3000 Control Units:

- Two #18 AWG (1.0mm²) conductors for common (terminal 1) and 12 V Direct Current (terminal 2). Ensure that the terminal 2 connection is wired correctly. Refer to GRX-3000 Specification Submittal.
- One shielded, twisted pair #18 AWG (1.0mm²) for data link (terminals 3 and 4).

When used with GRAFIK Eye 4000 Control Units:

- Two #12 AWG (2.5mm²) conductors for common (terminal 1) and 24 V Direct Current (terminal 2). These won't fit in terminals. Connect as shown.
- One shielded, twisted pair #18 AWG (1.0mm²) for data link (terminals 3 and 4).
- Connect Drain/Shield as shown. Do not connect to Ground (Earth) or Wallstation. Connect the bare drain wires and cut off the outside shield.



Job Name:	Model Numbers:
Job Number:	

Assigning Wallstation to GRAFIK Eye Control Units:

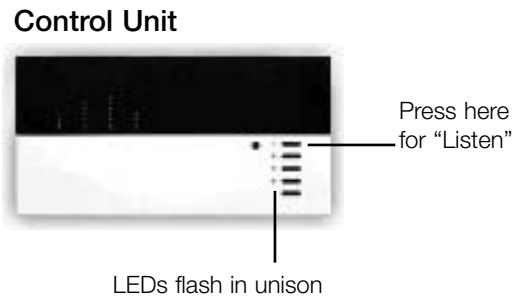
The NTGRX-KS must be configured to communicate with specific 3000 and 4000 series preset control units. In order for Wallstation to communicate with a Control Unit, each Wallstation must be individually configured to “talk” by putting the Wallstation in Setup Mode.

1. Put the Wallstation in **Setup Mode**. (only one Wallstation in Setup Mode at a time). This is done by first removing the KS control from the backbox and locating the programming button on the back of the control. While turning the keyswitch clockwise, **press and hold** the programming button for three seconds.

2. Identify the Control Unit(s) that you want to “listen” to this Wallstation. (Control Units must be addressed)! **Press and hold** the top Scene button on the Control Unit for about three seconds, until the LEDs flash in unison. Repeat for each Control Unit that you want to “listen” to the Wallstation.

Note: (to make a “listening” Control Unit not listen to Wallstation: Put the Wallstation in Setup Mode, then press the “listening” Control Unit’s OFF button until the LEDs stop flashing).

3. Exit Setup Mode. Normal operation is restored by turning the keyswitch clockwise while pressing the program button for three seconds.



Job Name:	Model Numbers:
Job Number:	