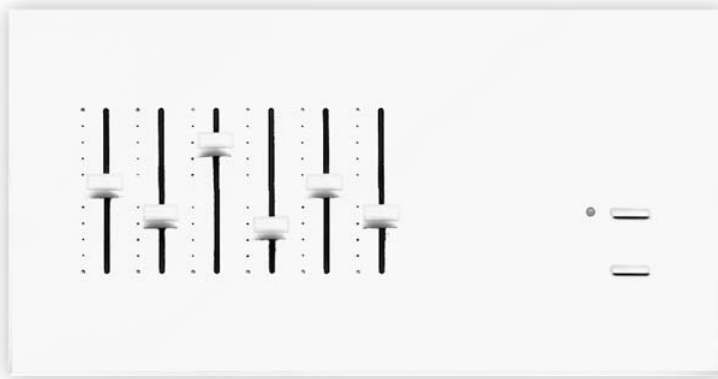


GRAFIK Eye 4000 Series Slider Control Unit



GRXSLED-4106-WH

Description

- Controls up to 8 zones of lighting.
- Provides pushbutton recall of a single lighting scene.
- Stores up to 12 scenes that can be recalled using an optional Access Control.
- Includes default “panic” scenes (full-on)
- Allows full-range dimming plus slide-to-off using zone sliders.
- Provides a user-selectable Master Slider.
- Controls virtually any light source via dimming panels.
- Mounts in a standard U.S. wallbox.

Models available to:

- Control 3, 4, 6, or 8 zones of lighting.

Slider Control Units work with:

- GRAFIK Eye Wallstations
- GP and LP Dimming Panels

Job Name:	Model Numbers:
Job Number:	

Specifications

Power

- Low-voltage type Class 2 (PELV)
Operating voltage: 24VDC.

Lighting Sources/Load Types

Controls lighting sources with a smooth, continuous Square Law dimming curve via GP and LP Dimming Panels.

Lighting Control

- 12 user-programmable slider scenes plus 2 panic scenes and off.
- Light levels fade smoothly between scenes. Fade time can be set differently for each scene, between 0-59 sec. or 1-60 min. Fade time is not adjustable for panic scenes.

Key Design Features

- Meets IEC 801-2. Tested to withstand 15kV electrostatic discharge without damage or memory loss.
- Power failure memory automatically restores lighting to the scene selected prior to power interruption.
- Faceplate snaps on with no visible means of attachment.

System Communications and Capacities

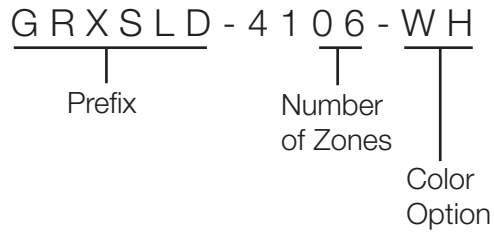
- Low-voltage type Class 2 (PELV) wiring connects Control Units, Wallstations, and Control Interfaces.
- Up to 8 Control Units may be linked to control up to 64 zones.
- Up to 16 total Wallstations and Control Interfaces may be added for a total of 24 control points.

Environment

- 32-104°F (0-40°C). Relative humidity less than 90% non-condensing.

Job Name:	Model Numbers:
Job Number:	

How to Build a Model Number



Model Numbers

Number of Zones	Model Number
3	GRXSLD-4103-__
4	GRXSLD-4104-__
6	GRXSLD-4106-__
8	GRXSLD-4108-__

Prefix:

GRXSLD for GRAFIK Eye 4000 Series
Slider Control Units

Number of Zones:

3, 4, 6, or 8

Color Option:

Architectural Matte Finishes

- White WH
- Ivory IV
- Beige BE
- Gray GR
- Brown BR
- Black BL

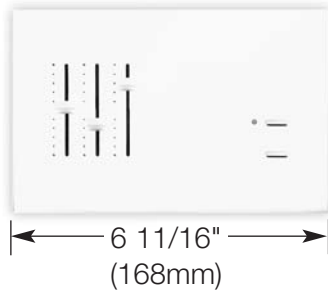
Architectural Metal Finishes

- Bright Brass BB
- Bright Chrome BC
- Satin Brass SB

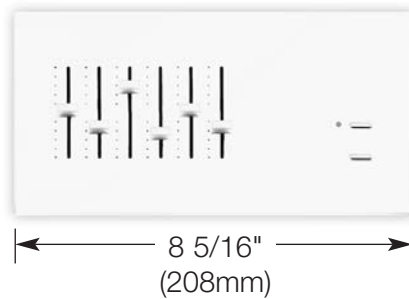
Job Name:	Model Numbers:
Job Number:	

Dimensions

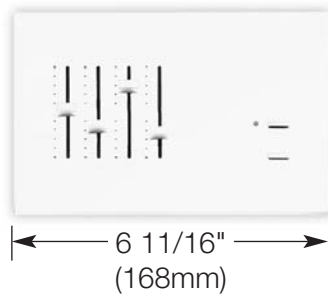
GRXSLD-4103



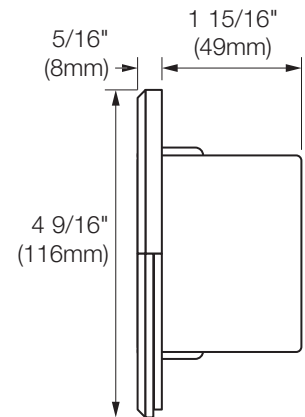
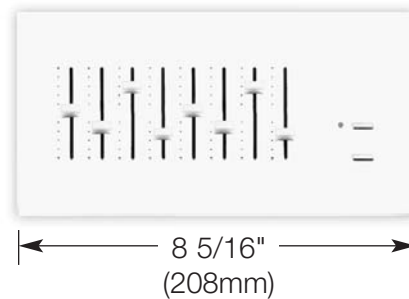
GRXSLD-4106



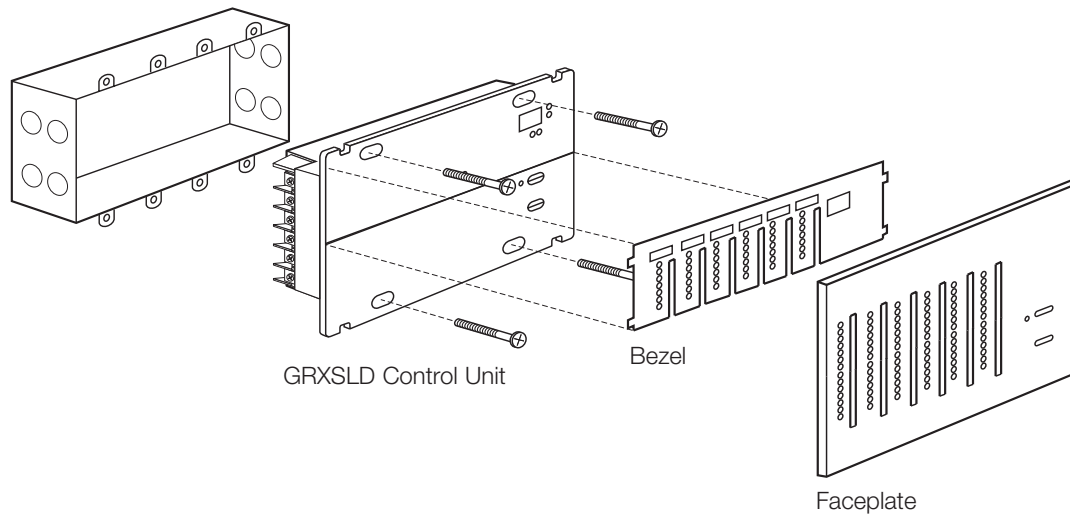
GRXSLD-4104



GRXSLD-4108



Mounting



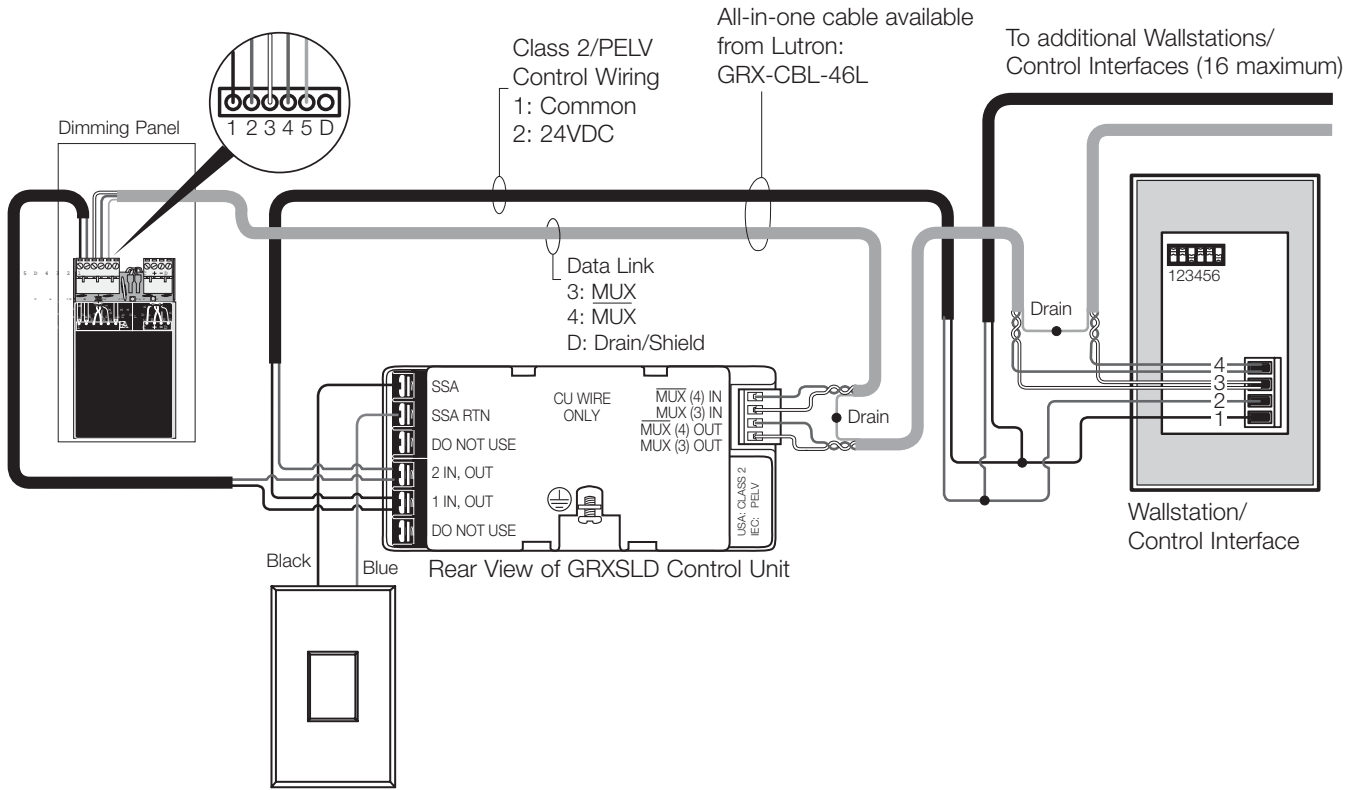
Notes:

- Use standard U.S. wallboxes; 3.5 in. (90mm) deep recommended, 2.75 in. (70mm) deep minimum.
- To remove faceplate from unit, remove the slider knobs and pull faceplate off.

<p>Job Name:</p>	<p>Model Numbers:</p>
<p>Job Number:</p>	

Low-Voltage Class 2 (PELV) Wiring

- Connect Drain/Shield as shown. Terminate only at Power Panel if Drain Terminal is provided. Connect the bare drain wires and cut off the outside shield.
- Make all connections in the Control Unit's wallbox. Remote connections (T-taps) must be in a switch box or junction box with a maximum wire length of 8 ft. (2.5m) from the link to the connected unit.



Job Name:	Model Numbers:
Job Number:	