

GXI-3000 Control Unit

Description

- Provides pushbutton recall of four preset lighting scenes, plus Off.
- Allows setup of lighting scenes using buttons on the Control Unit.
- Controls virtually any light source (LED, incandescent, etc.) without an interface.
- Provides lockout options to prevent accidental changes.
- Includes built-in infrared receiver for operation with an optional remote control.

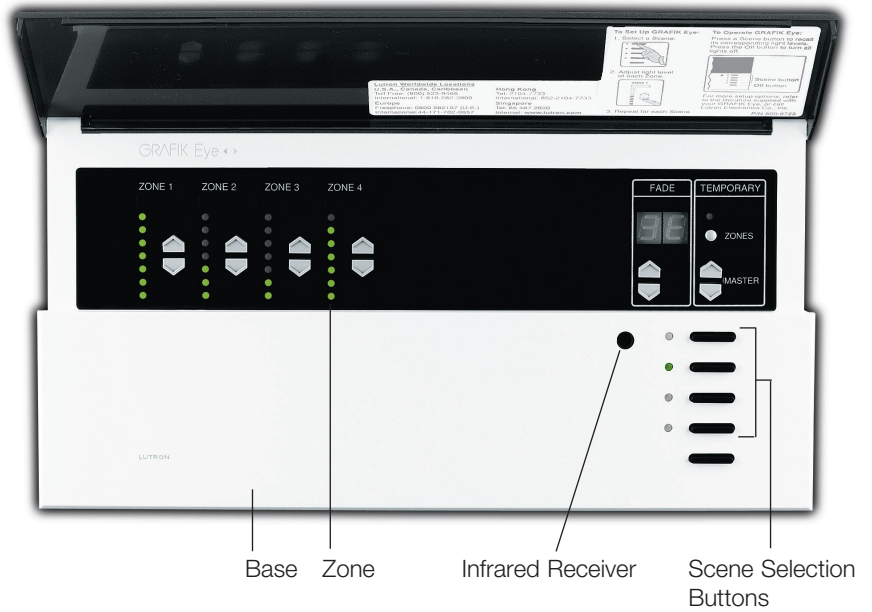
Models available to:

- Accept 230 V~ (CE) input power.
- Control four zones of lighting.

GXI-3100 Control Unit allows setup of lighting scenes using buttons on the Control Unit.

GXI-3500 Control Unit allows setup of lighting scenes using a PC, including setting lighting levels in 1% increments.

Cover (shown open)



GXI-3000 Control Unit

<p>Job Name:</p>	<p>Model Numbers:</p>
<p>Job Number:</p>	

Specifications

Input Power

- 230 V~ (CE) 50 Hz
- Lightning Strike Protection:
Can withstand voltage surges of up to 6000 V~ and current surges up to 3000 A.

Sources

Controls the following lighting sources with a smooth, continuous Square Law dimming curve or on a full conduction non-dim basis:

- LEDs
- Incandescent
- Electronic Low Voltage
- Magnetic Low Voltage
- Fluorescent
- Neon and Cold Cathode

Load Types

- Leading/Trailing-edge dimming
- 0-10 V==
- DALI® (broadcast only)
- Switching (non-dimming)

Preset Controls

- 4 preset lighting scenes and off are accessible from the Control Unit front panel.
- 12 additional scenes are stored in the Control Unit. These scenes are accessible via Wallstations and/or Control Interfaces.
- Light levels fade smoothly between scenes. Fade time can be set differently for each scene, between 0-59 sec. or 1-60 min. Fade time from Off is capped at 5 sec.

Key Design Features

- Meets IEC 801-2. Tested to withstand 15 kV electrostatic discharge without damage or memory loss.
- Provides over-current and short-circuit protection.
- Provides capability to trim High End and Low End.
- Manual or automatic selection between leading edge or trailing edge dimming for low voltage transformers.

- Provides air gap isolation when the Off scene is selected.
- 10-year power failure memory automatically restores lighting to levels prior to power interruption.
- Faceplate snaps on with no visible means of attachment.

System Communications and Capacities

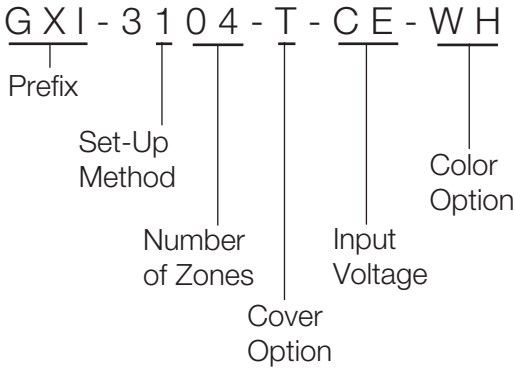
- Low-voltage type PELV wiring connects Control Units, Wallstations, and Control Interfaces.
- Up to 8 Control Units may be linked to control up to 32 zones.
- Up to 16 total Wallstations and Control Interfaces may be added for a total of 24 control points.

Environment

- 0-40°C. Relative humidity less than 90% non-condensing.

<p>Job Name:</p> <p>Job Number:</p>	<p>Model Numbers:</p>
--	------------------------------

How to Build a Model Number



Prefix:

GXI for GRAFIK Integrale 3000 Series Control Units

Set-Up Method:

1 for standard setup via front panel
5 for PC setup

Number of Zones:

4

Cover Option:

A for Opaque
T for Translucent Black

Input Voltage

CE for 230 V~ (CE)

Color Option:

See Color Options list

Model Number

230 V~ (CE) Input Power

Cover Options

Opaque **A**
 Cover and Base will match.
 Translucent Black **T**
 Black Cover and choice of base color.

Also available:
 - Custom controls
 - Color matching
 - Engraving

These options ship in 4 to 6 weeks

Color Options

Architectural Matte Finishes

Standard – Ship in 48 hours
 Cover Option: A or T
 White WH
 Ivory IV
 Beige BE
 Gray GR
 Brown BR
 Black BL

Designer Gloss Finishes

Ship in 4 to 6 weeks
 Cover Option: A only
 White GWH
 Light Almond GLA
 Almond GAL
 Ivory GIV

Satin Color Matte Finishes

Cover Option: A or T
 Hot HT
 Ochre OC
 Terracotta TC
 Desert Stone DS
 Stone ST
 Limestone LS
 Blue Mist BT
 Midnight MN
 Taupe TP
 Biscuit BI
 Eggshell ES
 Snow SW

Architectural Metal Finishes

Cover Option: T only
 Bright Brass BB
 Bright Chrome BC
 Satin Brass SB
 Satin Chrome SC
 Satin Nickel SN
 Antique Brass QB
 Antique Bronze QZ
 Bright Nickel BN

Anodized Aluminum Finishes

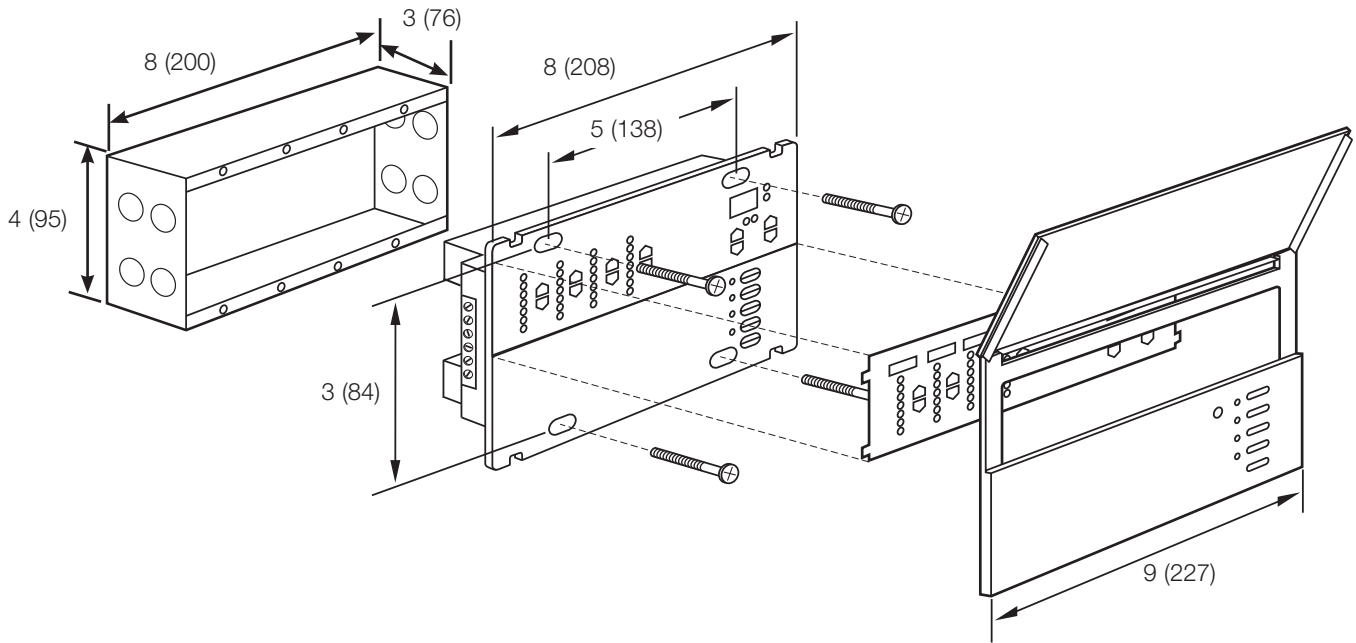
Cover Option: T only
 Clear CLA
 Black BLA
 Brass BRA
 Bronze BZA

Number of Zones	Model Number	Unit Capacity	Zone Capacity	
			Dimmed/ Switched Live Output	Low-voltage control output
4	GXI-3104-_-CE-__	2300 W/VA	800 W/VA	Up to 20 LED Drivers/Ballasts
4	GXI-3504-_-CE-__	2300 W/VA	800 W/VA	Up to 20 LED Drivers/Ballasts

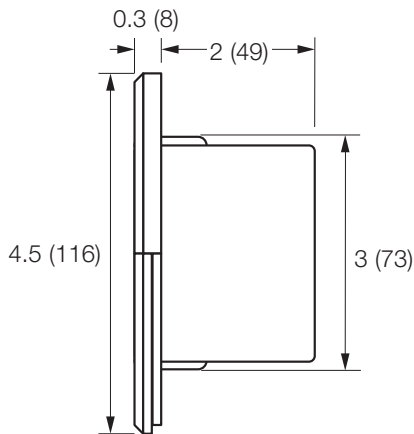
Job Name:	Model Numbers:
Job Number:	

Dimensions and Mounting

Dimensions shown as: in (mm)

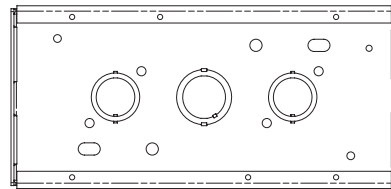


Side View

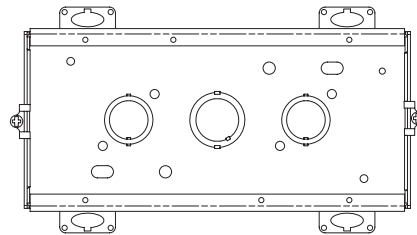


Backbox Front Views

Lutron P/N 241-400



Lutron P/N 241-691 (old-work backbox)

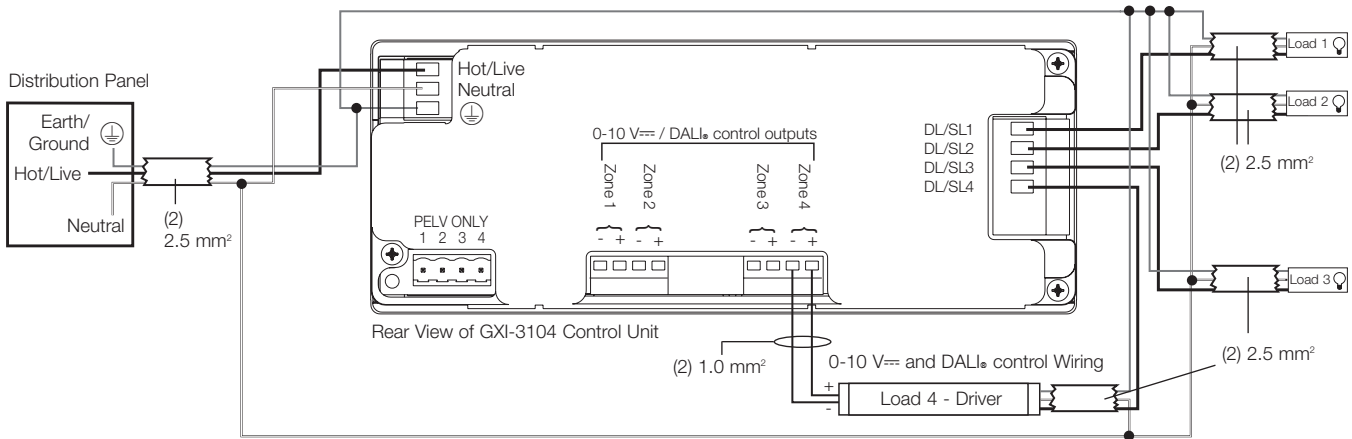


<p>Job Name:</p>	<p>Model Numbers:</p>
<p>Job Number:</p>	

230 V~ (CE) Mains Voltage Wiring

Pull power wiring from distribution panel and to light fixtures. Each line voltage terminal can accept up to two 12 AWG (2.5 mm²) wires. For phase-to-neutral wiring, connect one phase to Live and the other phase to Neutral. When wired phase-to-phase, **the air gap does not break both phases while the Control Unit is Off**: the MCB(s) must be turned off when servicing the Control Unit or associated loads.

- Consult Lutron for:
- Non-dim relay wiring.
 - Load side emergency transfer wiring.

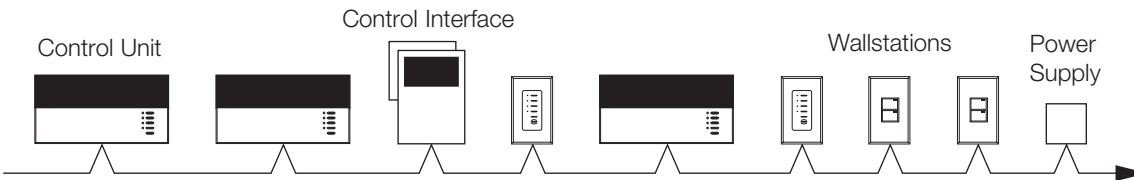


Low-Voltage PELV Wiring

- System communications use low-voltage PELV (Class 2) wiring.
- Wiring must be daisy-chained.
- Wiring must run separately from line (mains) voltage.

PELV (Class 2) wiring link requires:
 Two 12 AWG (2.5 mm²) conductors for control power.
 One twisted, shielded pair of 18 AWG (0.75 mm²) for data link.

Total length of Control Link may be up to 2000 ft (610 m).
 Approved low-voltage cable is available from Lutron¹, Belden, and Liberty.
 These are approved with 22 AWG (0.25 mm²) data link wires.



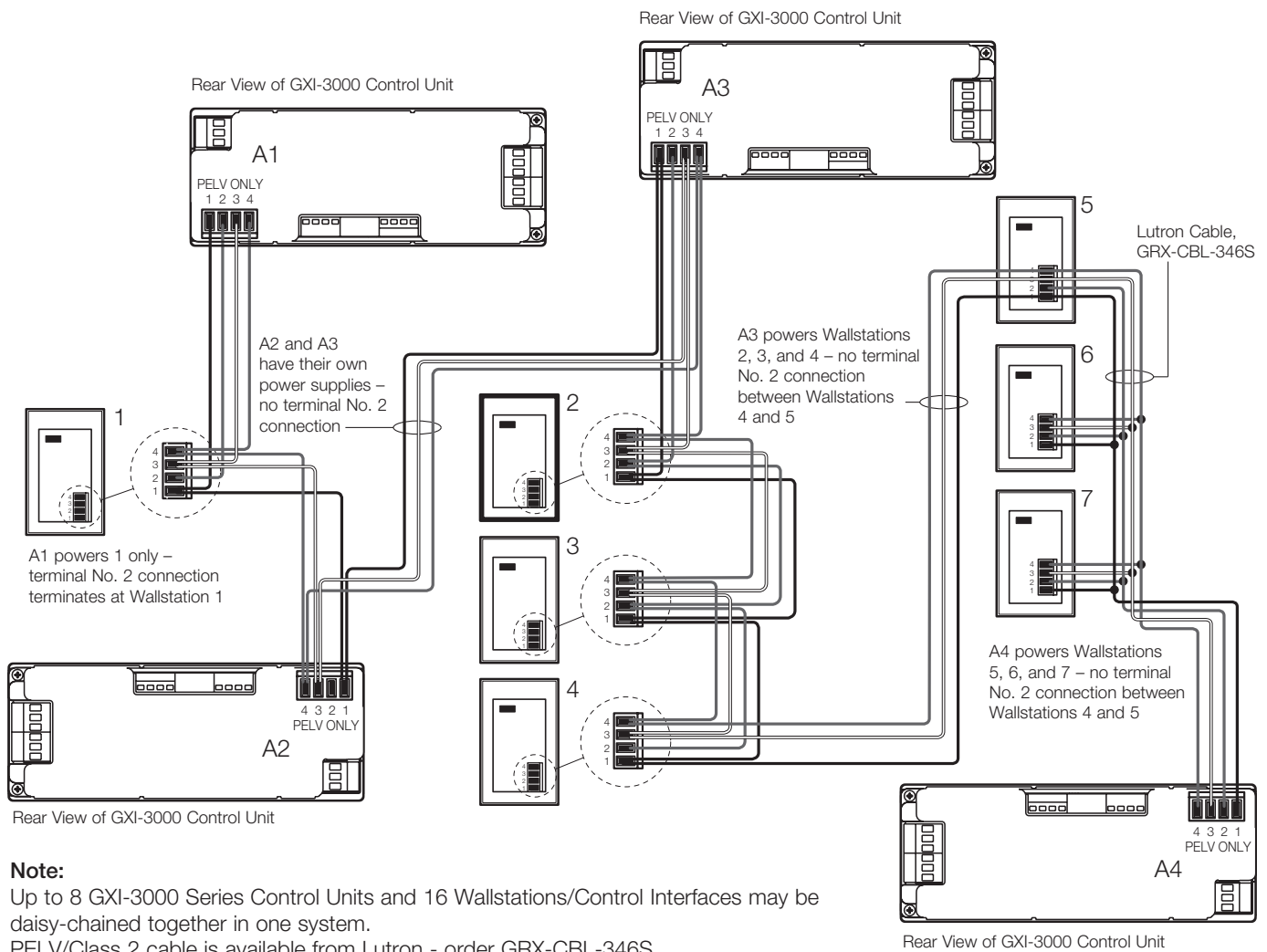
External 12 V~ Power Supply is required to power more than three Wallstations and/or Control Interfaces from a single Control Unit.

¹ GRX-CBL-346S PELV (Class 2) wiring cable is available from Lutron and contains:
 - Two 12 AWG (2.5 mm²) conductors for control power.
 - One twisted, shielded pair of 22 AWG (0.25 mm²) for data link.

Job Name:	Model Numbers:
Job Number:	

PELV Terminal Connections

- Each PELV terminal accepts up to two 1.0 mm² wires.
- Daisy chain the terminal 1, 3, and 4 connections to all Control Units, Wallstations, and Control Interfaces.
- Each Control Unit has its own power supply. Terminate the terminal 2 connection (12 V_{DC} power) so that each Control Unit supplies power to a maximum of three Wallstations. Each Wallstation should receive power from only one Control Unit.
- Make all connections in the Control Unit's wallbox. Remote connections must be in a switchbox or junction box with a maximum wire length of 8 ft (2.5 m) from the link to the connected unit.
- Do not allow PELV wires to contact line/mains wires.



Job Name:	Model Numbers:
Job Number:	