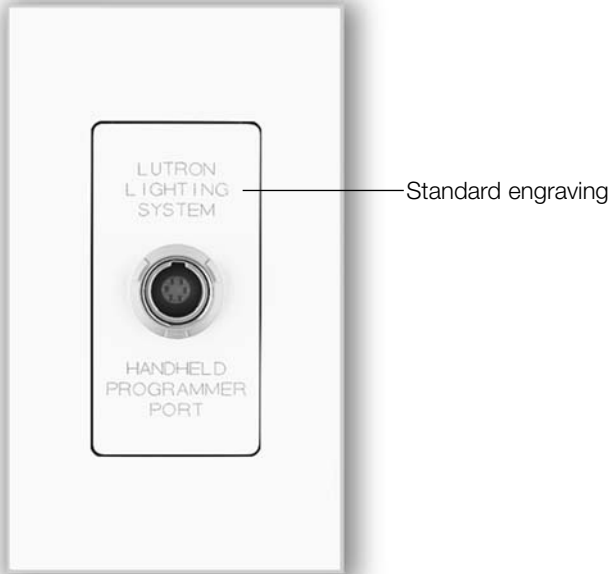


Color and Finish Codes

NTOMX-HHPJ-__-__
Hand-Held Programmer Jack



Description

- Connects the GR6HHP Hand-Held Programmer to GRAFIK 5000/6000/7000 Systems.
- The jack sits on a Control Station Device Link that connects to the Processor Panel.
- The Hand-Held Programmer plugs into the jack.
- Place Hand-Held Programmer Jacks near Wallstations, so you can plug in the Hand-Held Programmer to adjust scenes and zones “on location.”

Specifications

Power

Low-voltage Class 2 (PELV)
 Operating Voltage: 32 VDC.

Key Design Features

- Meets IEC 801-2. Tested to withstand 15kV electrostatic discharge without damage or memory loss.
- Faceplate snaps on with no visible means of attachment.

System Communications and Capacity

- Low-voltage Class 2 (PELV) wiring connects jack to Processor Panel.
- Jacks have no address and do not count as one of the 32 Wallstations, Control Units, or Control Interfaces allowed on a Control Station Device Link.

Terminals

Accept up to two #18 AWG (1.0mm²).

Environment

32 - 104°F (0 - 40°C). 90% non-condensing relative humidity.

<p>Job Name:</p>	<p>Model Numbers:</p>
<p>Job Number:</p>	

Color and Finish Codes

Matte Finishes

White	WH
Ivory	IV
Beige	BE
Gray	GR
Brown	BR
Black	BL

Metal Finishes

Bright Brass	BB
Bright Chrome	BC
Bright Nickel	BN
Satin Brass	SB
Satin Chrome	SC
Satin Nickel	SN
Antique Brass	QB
Antique Bronze	QZ

Anodized Aluminum Finishes

Clear	CLA
Black	BLA
Brass	BRA

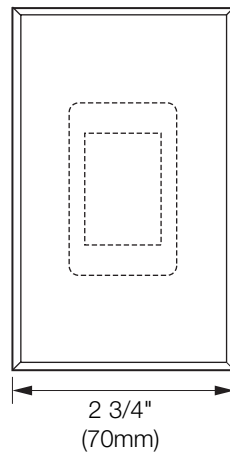
Also available:

- Custom Controls
- Color Matching
- Engraving

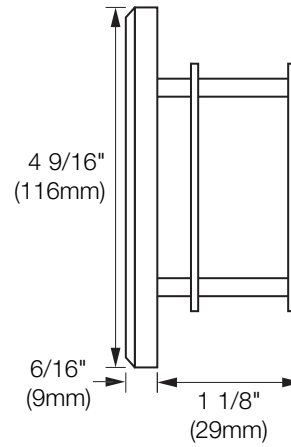
Ship in 4 to 6 weeks. Pricing may vary depending on finishes.

Dimensions

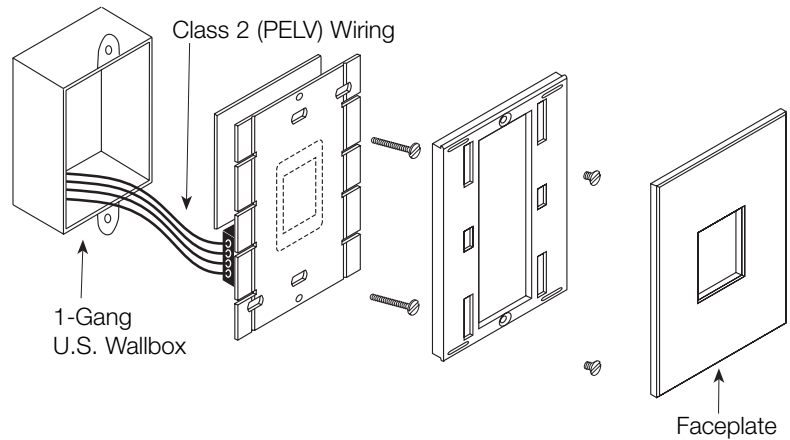
Front View



Side View



Mounting



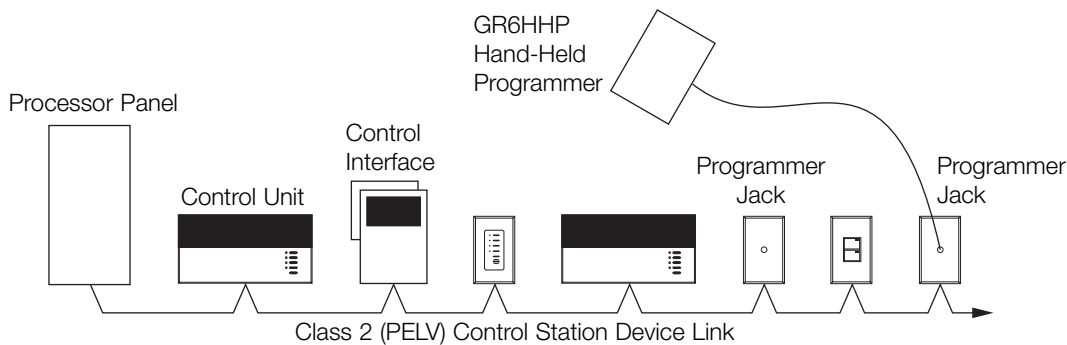
Job Name:	Model Numbers:
Job Number:	

Low Voltage Class 2 (PELV) Wiring

- Daisy-chain the Hand-Held Programmer Jack onto the low-voltage Class 2 (PELV) Control Station Device Link.
- Make all connections in the Programmer Jack’s wallbox or in a switchbox or junction box with a maximum wire length of 8 ft. (2.5m) from the link to the jack.
- Consult the Processor Panel Specification Submittal for more details.
- Two #12 AWG (2.5mm²) conductors for Common and 32VDC.
- One shielded, twisted pair #18 AWG (1.0mm²) for data link (terminals 3 and 4).
- Connect Drain/Shield as shown in Wallstation Wiring. Do not connect to Ground (Earth) or jack. Connect the bare drain wires and cut off the outside shield.

Jack Wire	Class 2 (PELV) Terminal Connection
Black (or White)	1: Common
Red	2: 32VDC
Yellow	3: MUX
Blue	4: MUX

The Jack connects the Hand-Held Programmer to the System.



Job Name:	Model Numbers:
Job Number:	