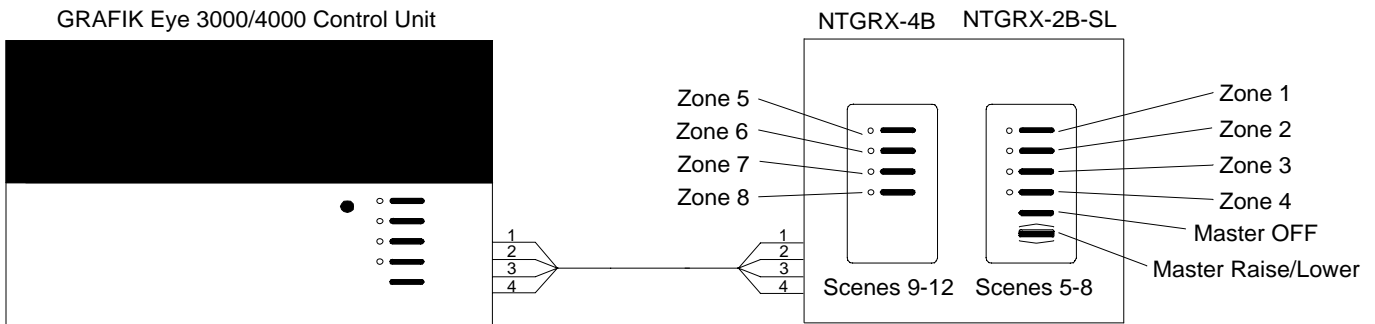


Overview

Individual zone control from a second location can be accomplished through the use of an NTGRX-4S, an NTGRX-4B, and the Unaffected feature. This two gang combination can control up to eight zones. This high density solution could replace eight NTGRX-2B-SL Accessory Controls, configured as Raise/Lower Control, and the need for an external power supply.

Wiring Diagram



Function Notes

1. Each Scene (5-12) should be set up to have one Zone adjustable, all others should be set up as Unaffected.
2. Set the Fade Time to approximately one minute to avoid any sudden jumps in light intensity.
3. Once the light is raised or lower, the Fade Time is overridden.
4. To adjust an individual zone, press the corresponding button on the NTGRX-4S or NTGRX-4B and then use the Master Raise/Lower to fine tune that zone.

Example

The following chart is an example of how the Zones and Scenes could be configured to achieve individual zone control from a second location.

		Scene											
		1	2	3	4	5	6	7	8	9	10	11	12
Zone	1	%	%	%	%	50%	UA	UA	UA	UA	UA	UA	UA
	2	%	%	%	%	UA	50%	UA	UA	UA	UA	UA	UA
	3	%	%	%	%	UA	UA	50%	UA	UA	UA	UA	UA
	4	%	%	%	%	UA	UA	UA	50%	UA	UA	UA	UA
	5	%	%	%	%	UA	UA	UA	UA	50%	UA	UA	UA
	6	%	%	%	%	UA	UA	UA	UA	UA	50%	UA	UA
	7	%	%	%	%	UA	UA	UA	UA	UA	UA	50%	UA
	8	%	%	%	%	UA	UA	UA	UA	UA	UA	UA	50%
Fade Time		t	t	t	t	1 min	1 min	1 min	1 min	1 min	1 min	1 min	1 min

UA = Unaffected

% = Variable Light Intensity

Additional Information

World Headquarters

Lutron Electronics Co., Inc.
7200 Suter Road
Coopersburg, PA 18036-1299 U.S.A.
TOLL FREE: (800) 523-9466 (U.S.A., Canada, and the Caribbean)
Tel: (610) 282-3800; International 1610 282-3800
Fax: (610) 282-3090; International 1610 282-3090

European Headquarters

Lutron EA LTD
Lutron House
6 Sovereign Close
Wapping
London, E1 9HW England
FREEPHONE: 0800 282107 (U.K.)
Tel: (0171) 702-0657; International 44-171-702-0657
Fax: (0171) 480-6899; International 44-171-480-6899

Hong Kong Office

Tel: 2593-1119; International 852-2593-1119
Fax: 2593-1197; International 852-2593-1197

Singapore Office

Tel: 487-2820; International 65-487-2820
Fax: 487-2825; International 65-487-2825

Japan Office

Lutron Asuka Corporation K.K.
Kowa Shibakoen Bldg. 2nd Floor
1-1-11 Shibakoen
Minato-ku, Tokyo 105-0011, Japan
TOLL FREE: (0120) 083417 (Japan)
Tel: International 81 3 5405 7333
Fax: International 81 3 5405 7496

Worldwide Technical and Sales Assistance

If you need technical assistance, call the toll-free **Lutron Technical Assistance Hotline**. Please provide exact model number when calling.
(800) 523-9466 (U.S.A., Canada and the Caribbean)
Other countries call:
Tel: (610) 282-3800; International: 1 610 282-3800
Fax: (610) 282-3090; International: 1 610 282-1243
Our address on the Web is www.lutron.com

Lutron and GRAFIK Eye are registered trademarks of Lutron Electronics Co., Inc.